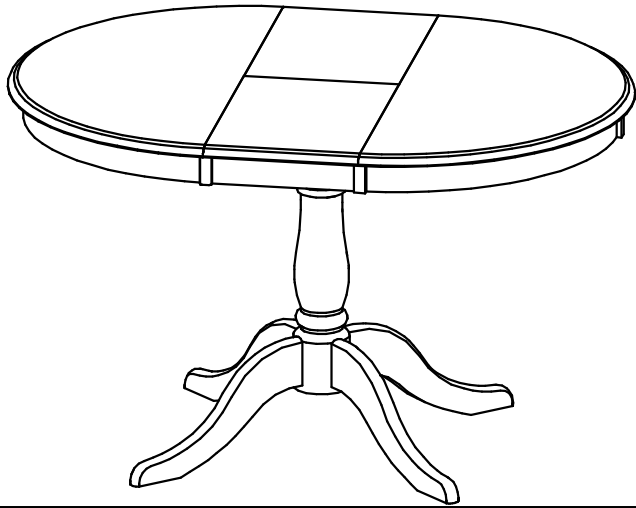
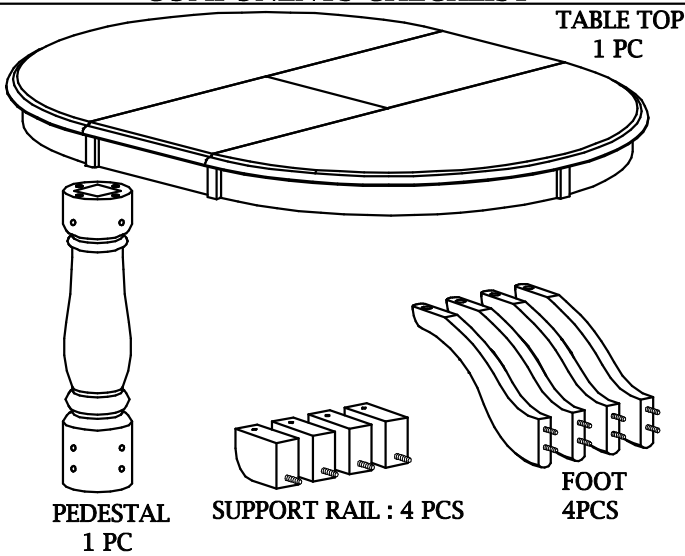








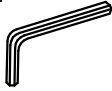
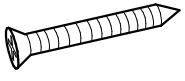
# ASSEMBLY INSTRUCTIONS



## COMPONENTS CHECKLIST

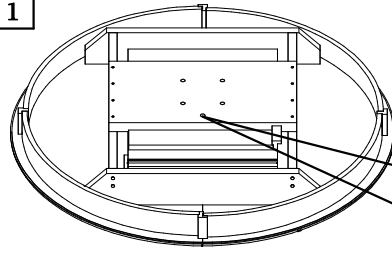


## FITTINGS HARDWARE

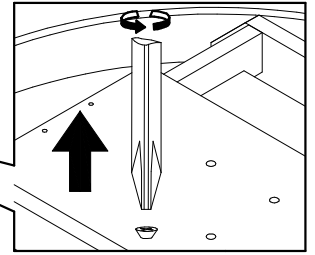
<p>Part 'A'</p>  <p>JCBC BOLT M6 X 50 : 4PCS</p>	<p>Part 'B'</p>  <p>SPRING WASHER 5/16" X 13.5 16 PCS</p>
<p>Part 'C'</p>  <p>HEX NUT 5/16" X 12.7 12 PCS</p>	<p>Part 'D'</p>  <p>SPANNER 13MM : 1 PC</p>
<p>Part 'E'</p>  <p>BASE GLIDE M6 X 16 : 4PCS</p>	<p>Part 'F'</p>  <p>FLAT WASHER 5/16" X 17 16 PCS</p>
<p>Part 'G'</p>  <p>ALLEN KEY M4 : 1 PC</p>	<p>Part 'H'</p>  <p>CHIPBOARD SCREW M4 X 32 4PCS</p>

## ASSEMBLY INSTRUCTIONS

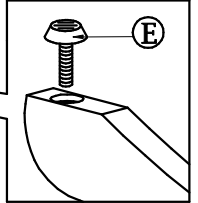
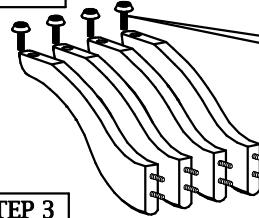
STEP 1



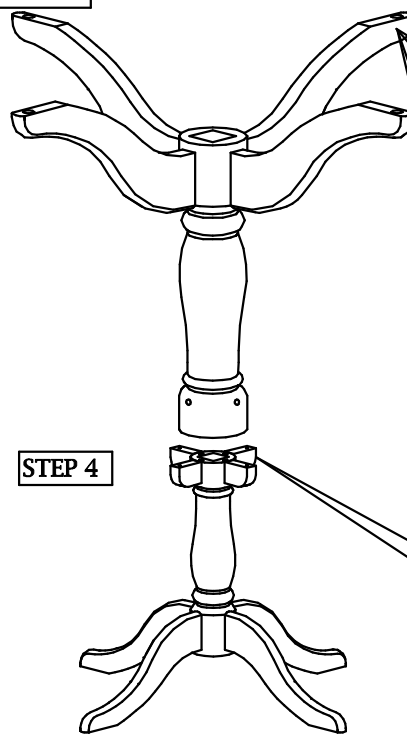
\*PLEASE REMOVE SCREW BEFORE ASSEMBLY\*



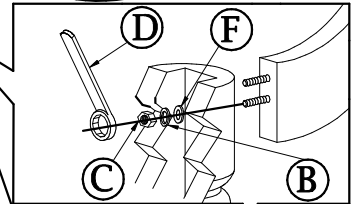
STEP 2



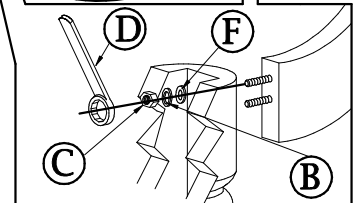
STEP 3



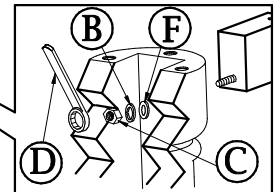
STEP 3A



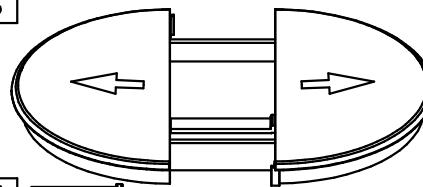
STEP 3B



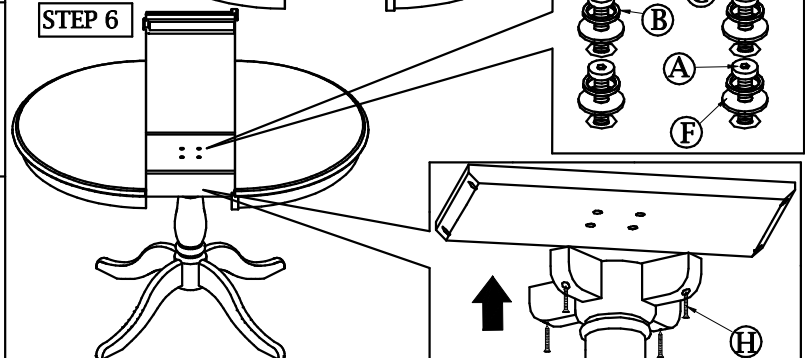
STEP 4



STEP 5



STEP 6



## FOLDING LEAF OPENING INSTRUCTION

