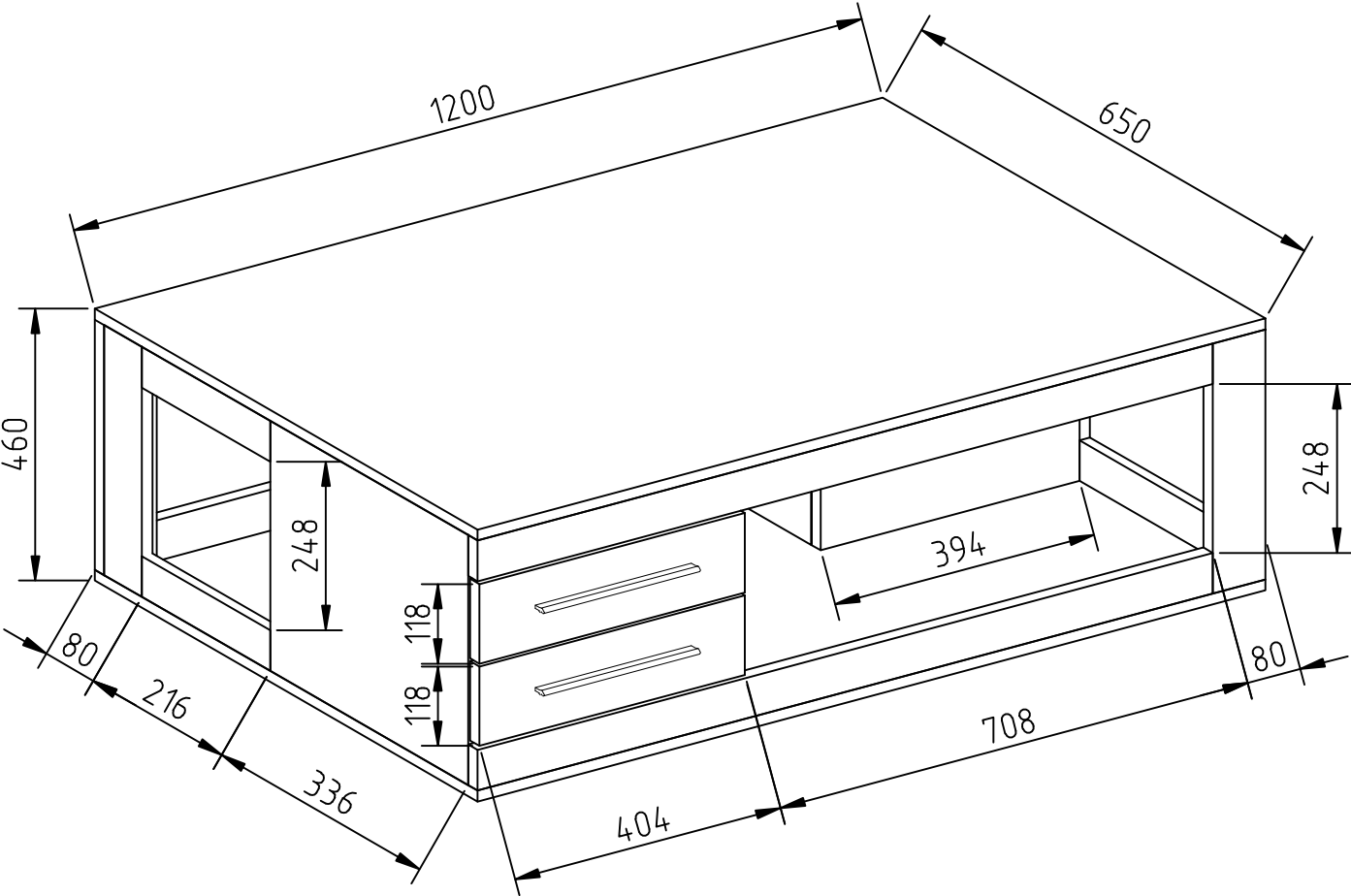
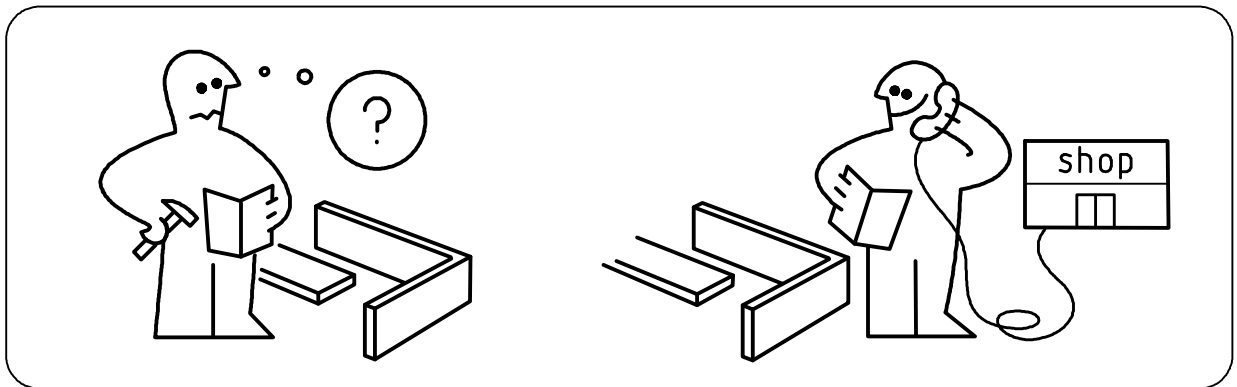
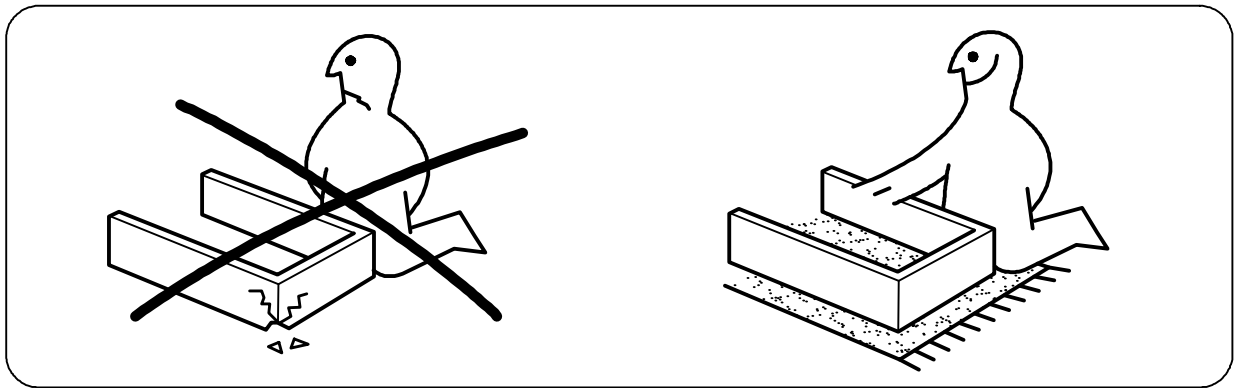
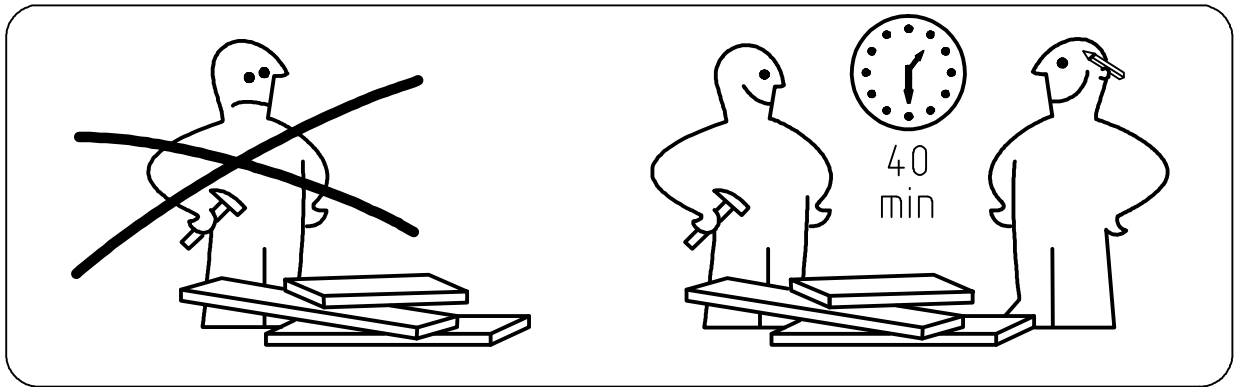
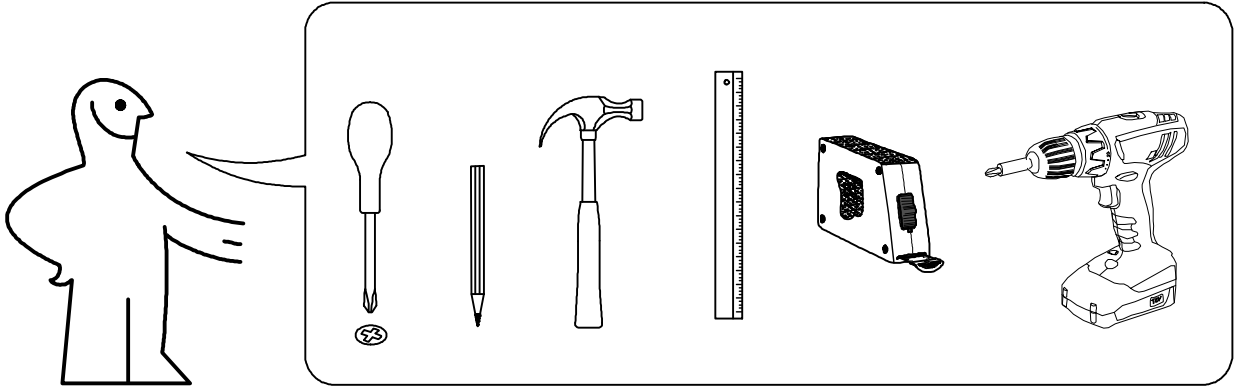


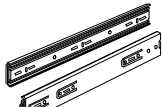
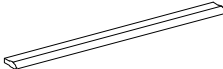


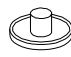
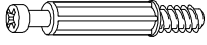
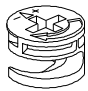
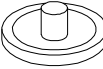






Bruno



Bruno

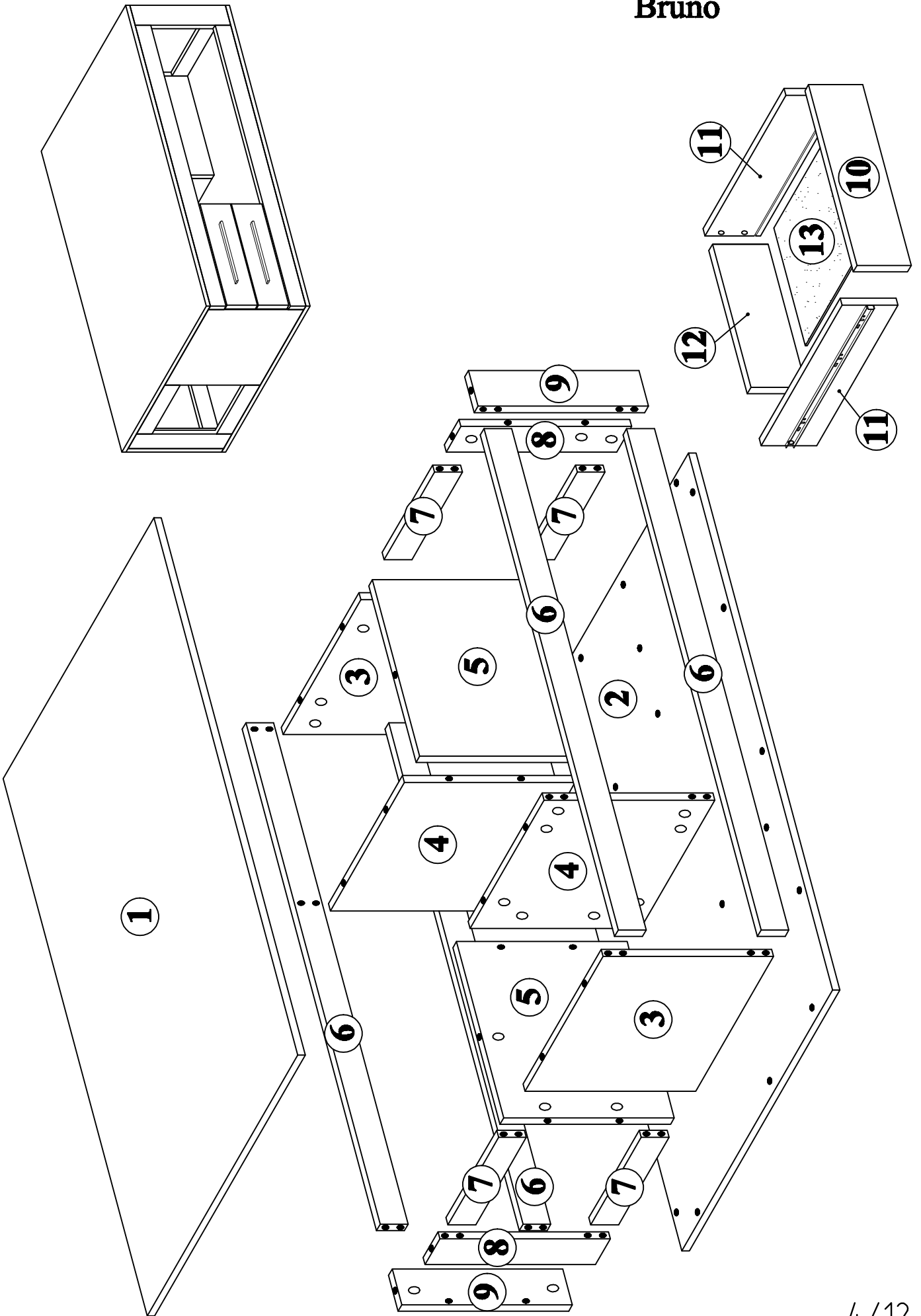


Bruno

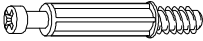


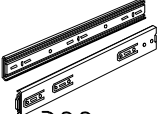


 M2 300 mm x4	 I9 x4	 E9 3.5*27mm x8
 B1 6,3*50mm x16	 B ϕ 12mm x16	 C1 6*43mm x68
 D1 15/16 x68	 D ϕ 20mm x68	 A1 8*30mm x16
 A2 8*50mm x24	 E4 3,5*16 x48	 K11 ϕ 50mm x4
 U3 x8	 R4 N°4 x1	

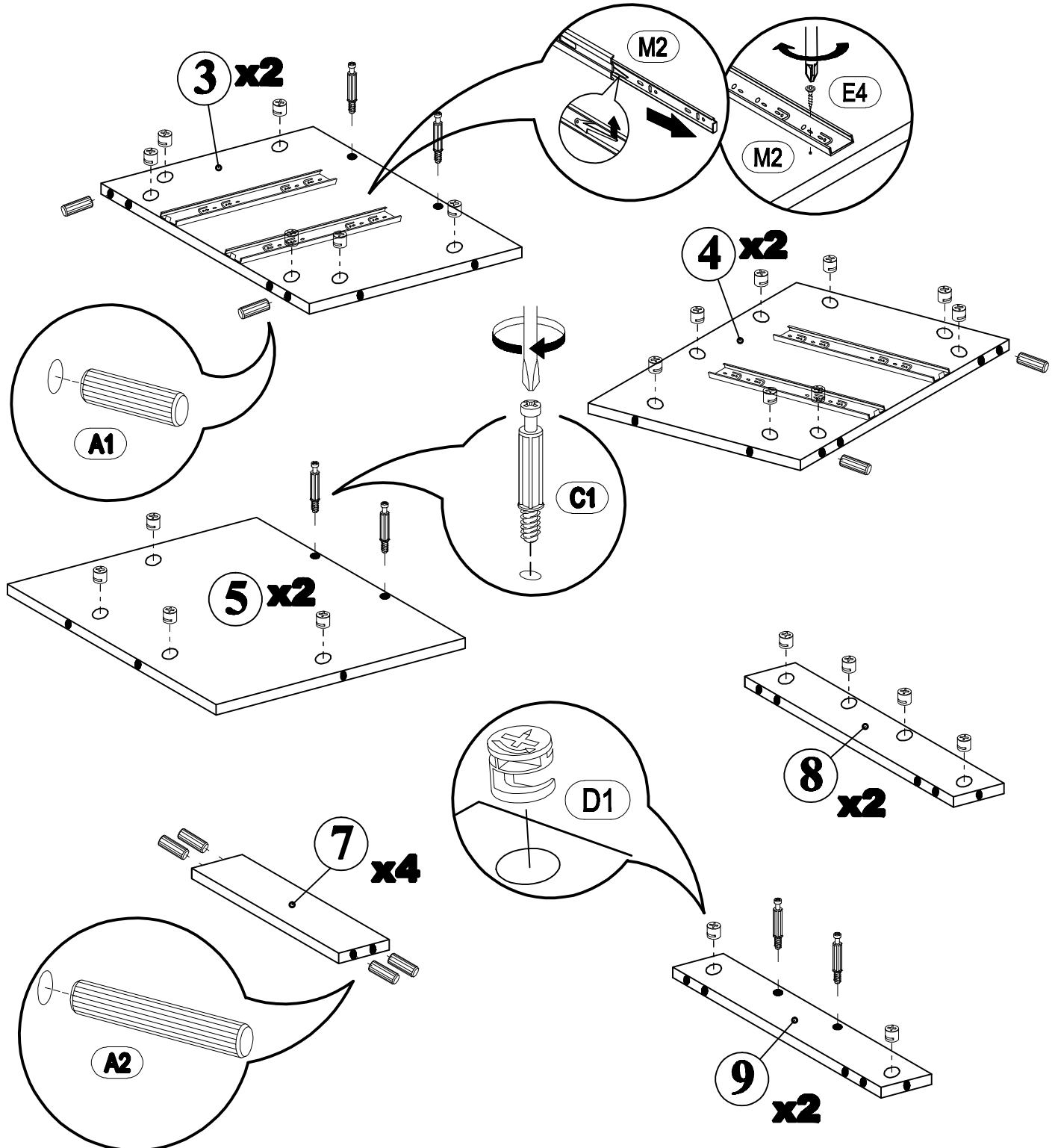
Nº	a*b	x	Nº	a*b	x
1	1200x650	1	8	368x64	2
2	1200x650	1	9	368x80	2
3	368x336	2	10	118x404	4
4	368x320	2	11	300x100	8
5	368x394	2	12	320x100	4
6	1118x60	4	13	293x329	4
7	216x60	4			

Bruno

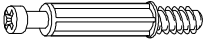




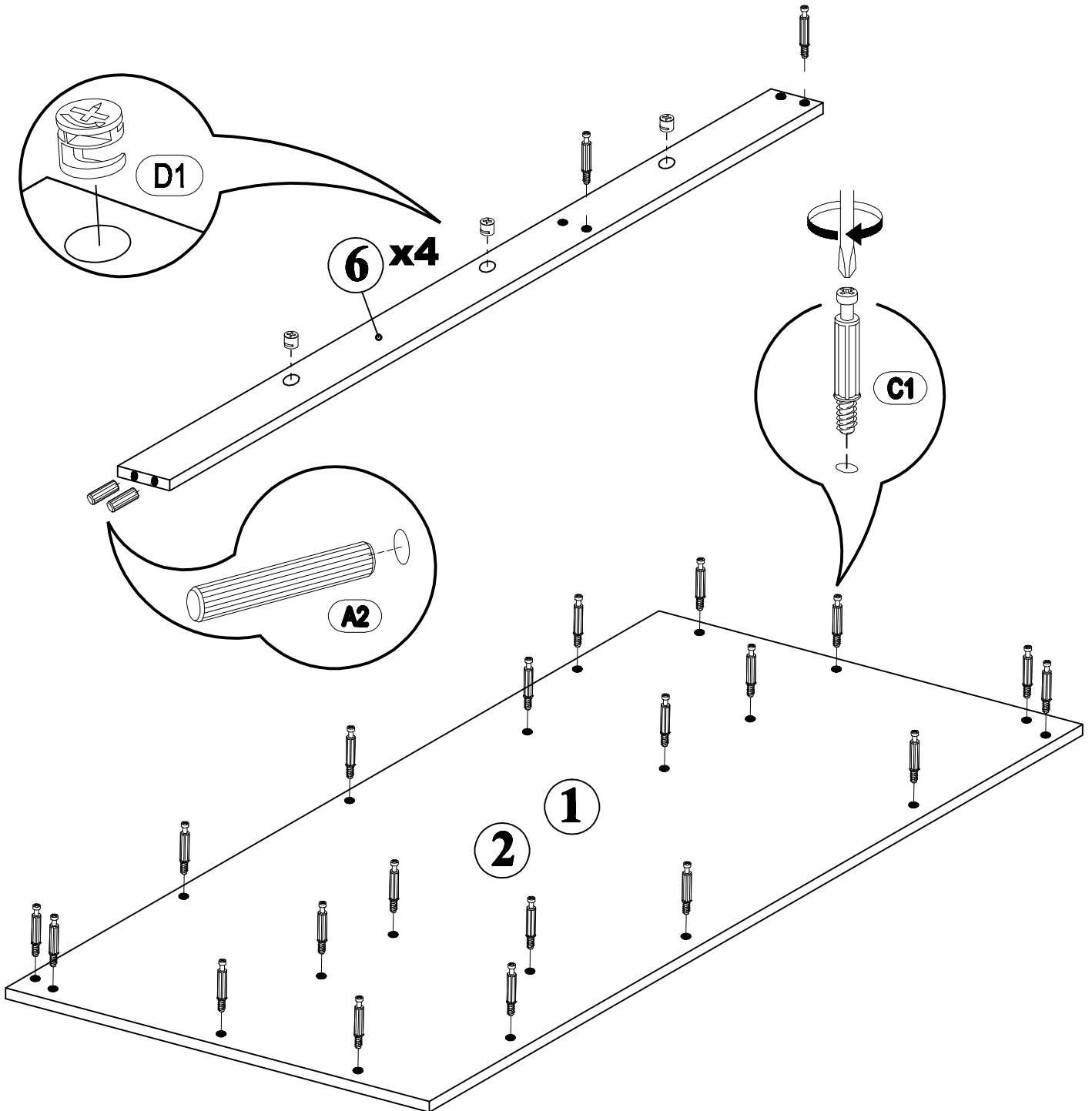
Bruno

 C1 6*43mm x12	 D1 15/16 x48	 A1 8*30mm x8
 M2 300mm x4	 E4 3,5*16 x16	 A2 8*50mm x16

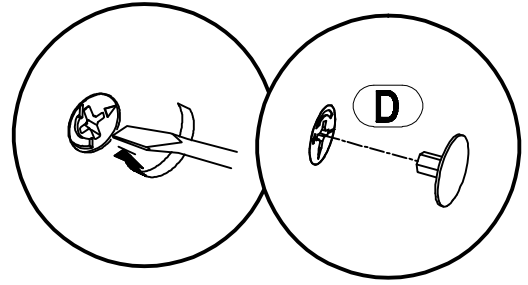
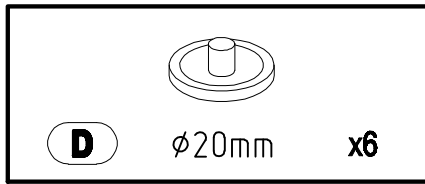


Bruno

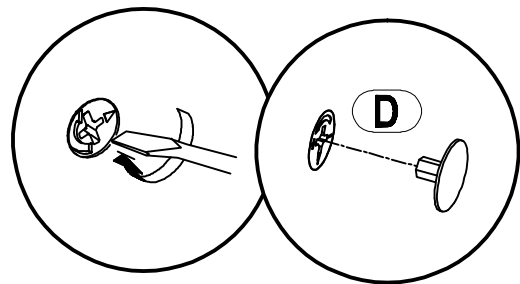
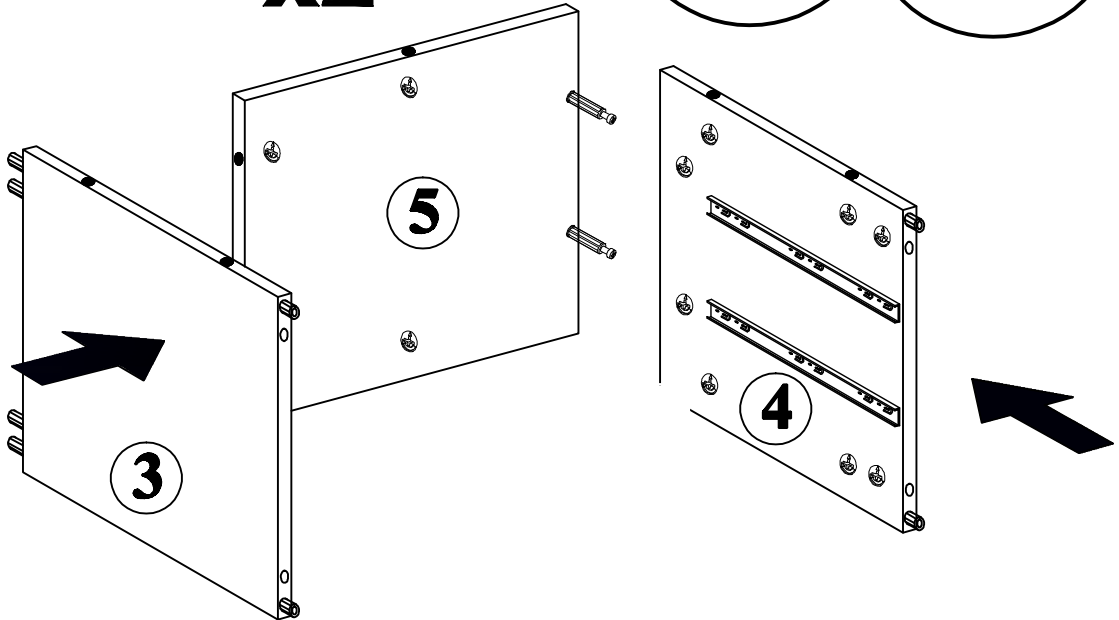
 C1 6*43mm x48	 D1 15/16 x12	 A2 8*50mm x8
---	--	--



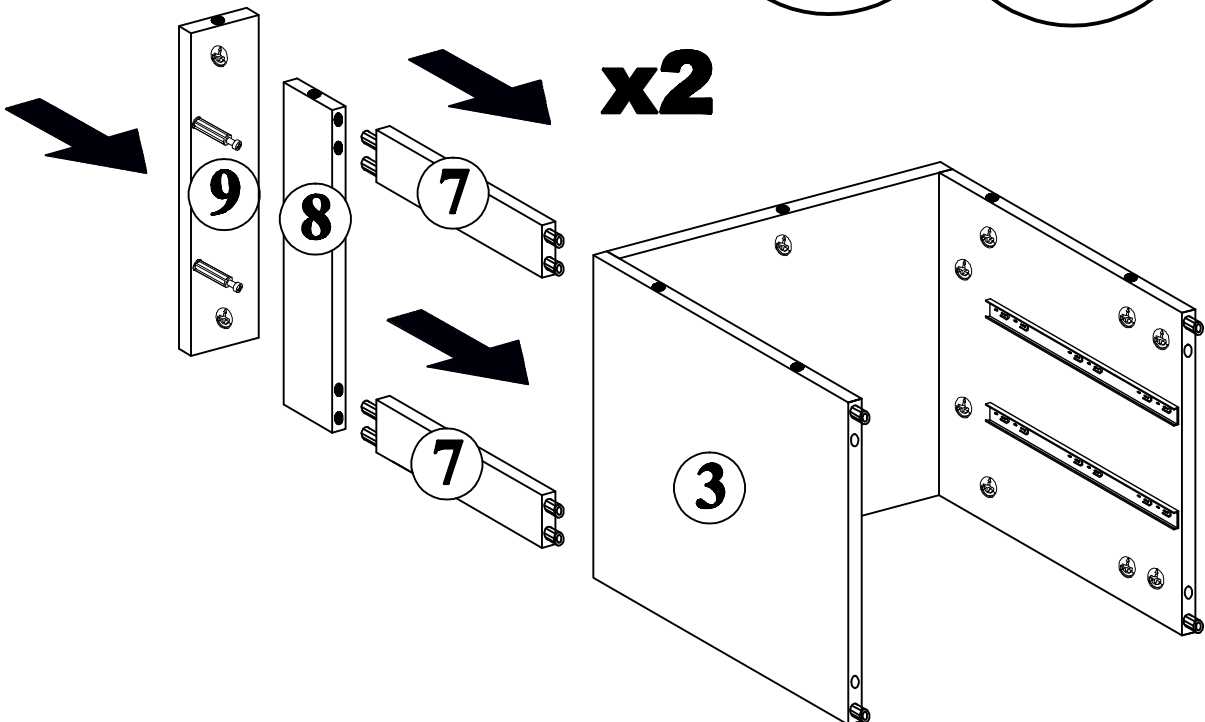
Bruno



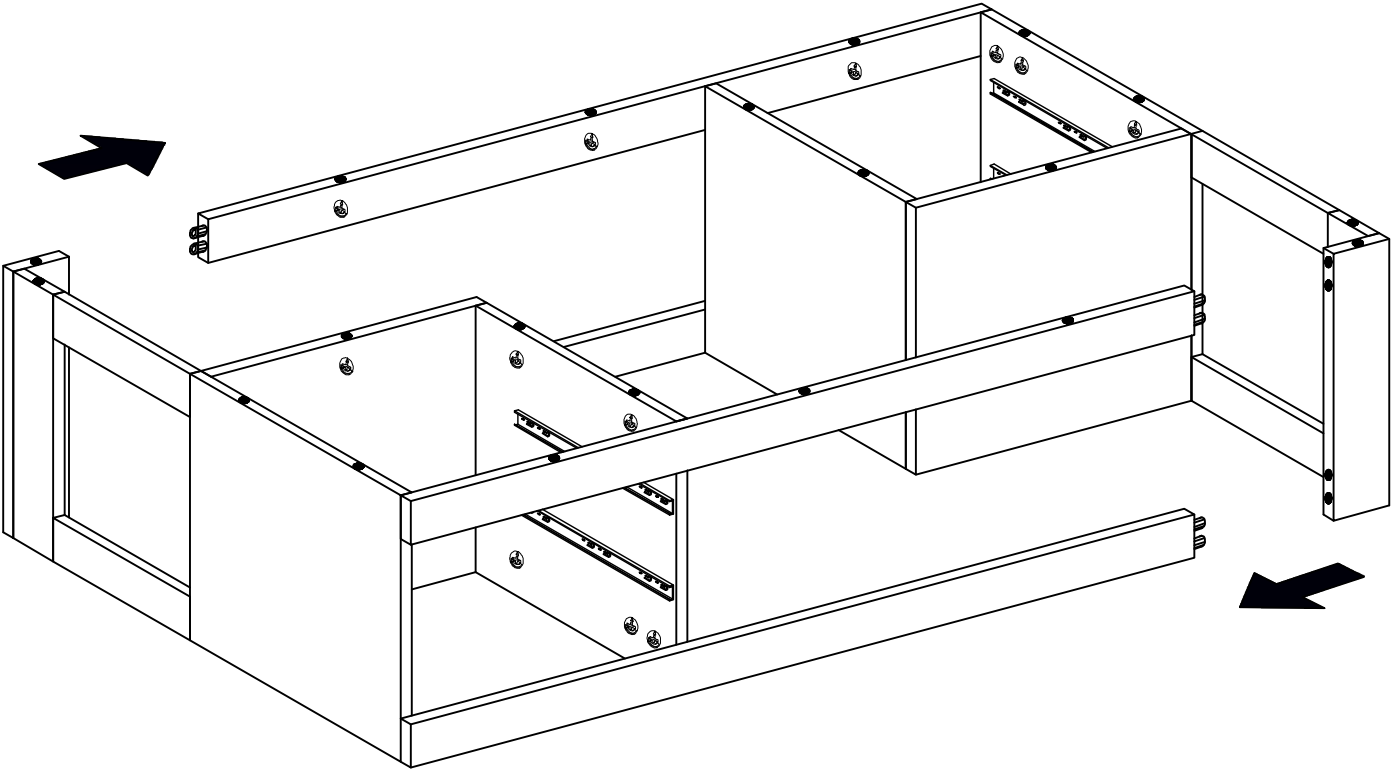
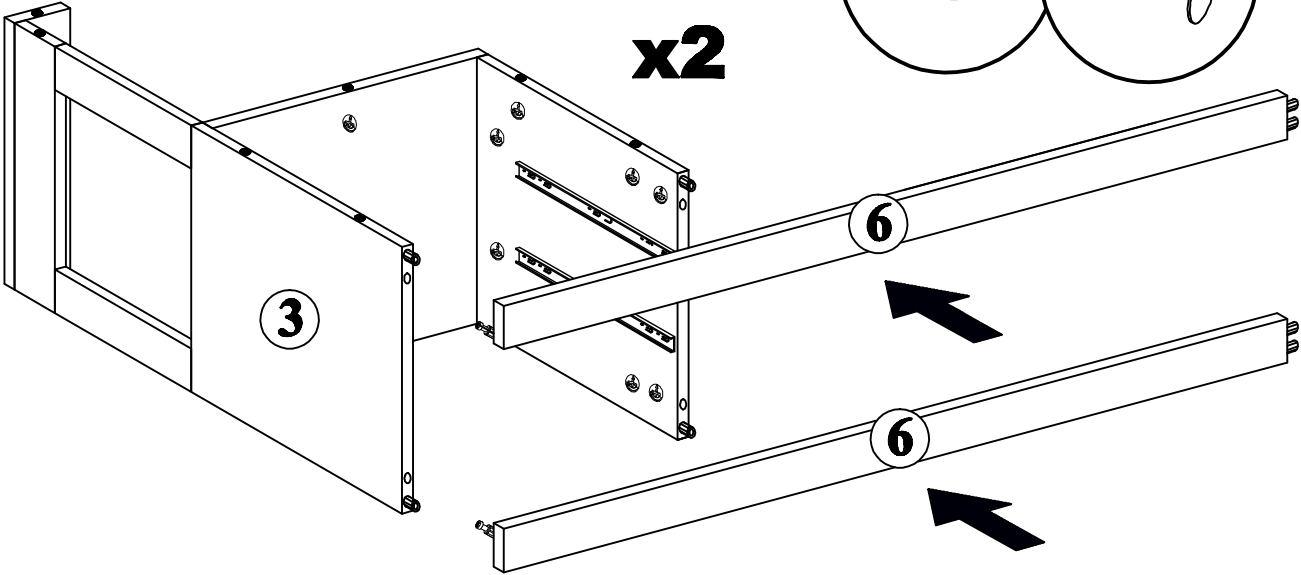
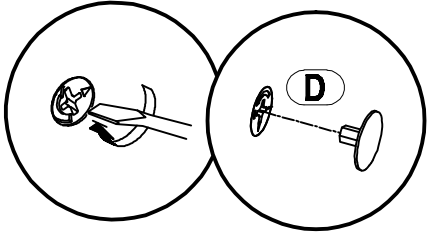
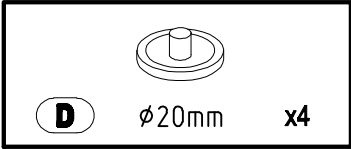
x2



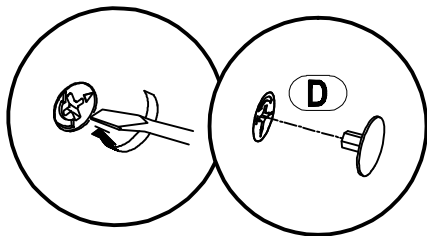
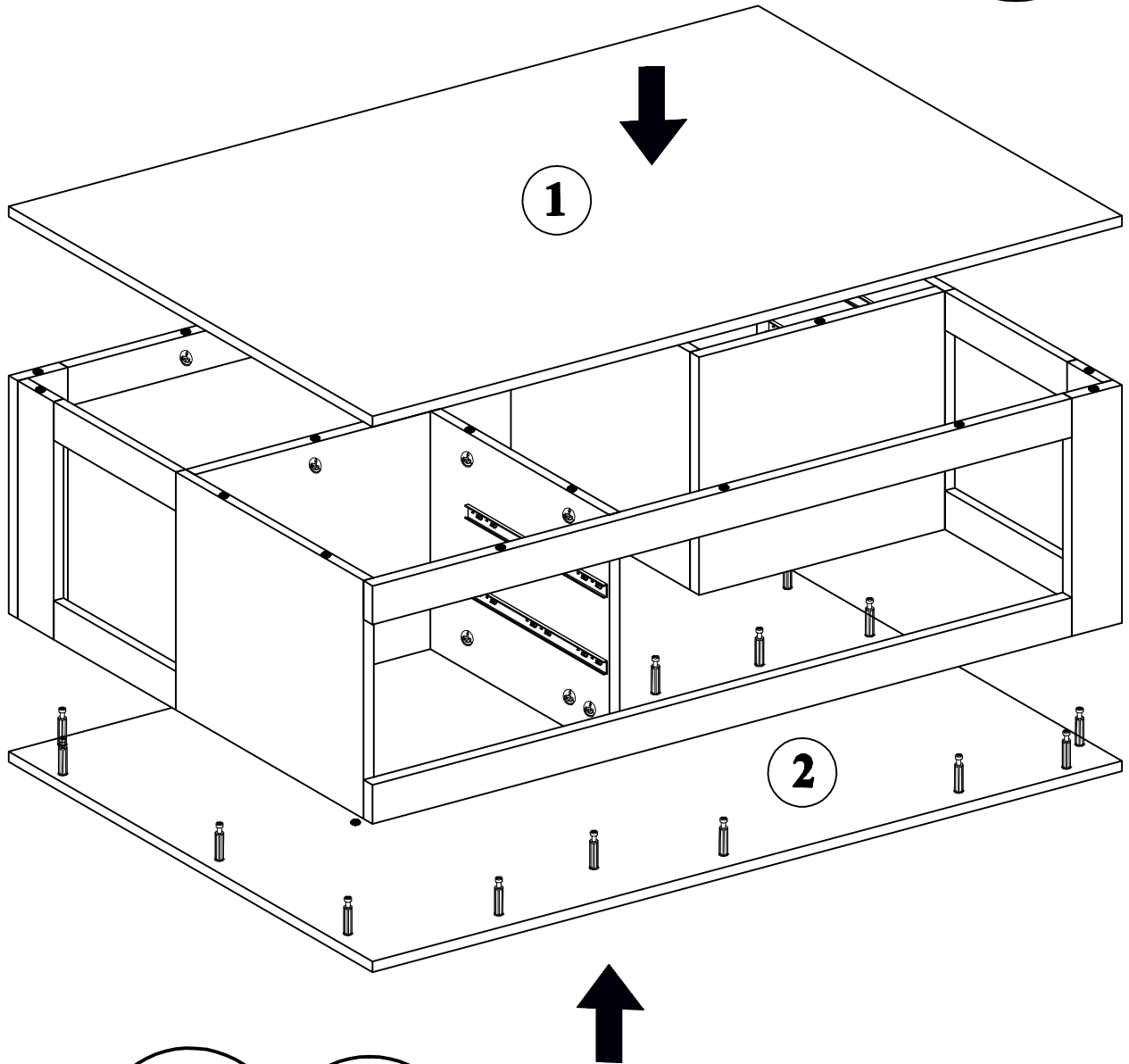
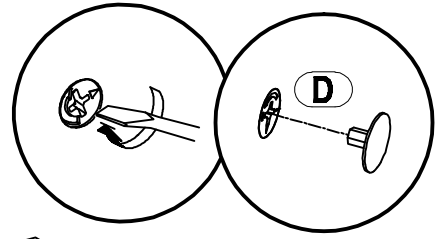
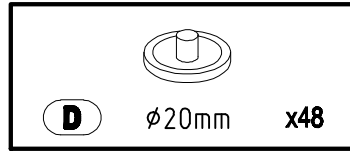
x2






Bruno

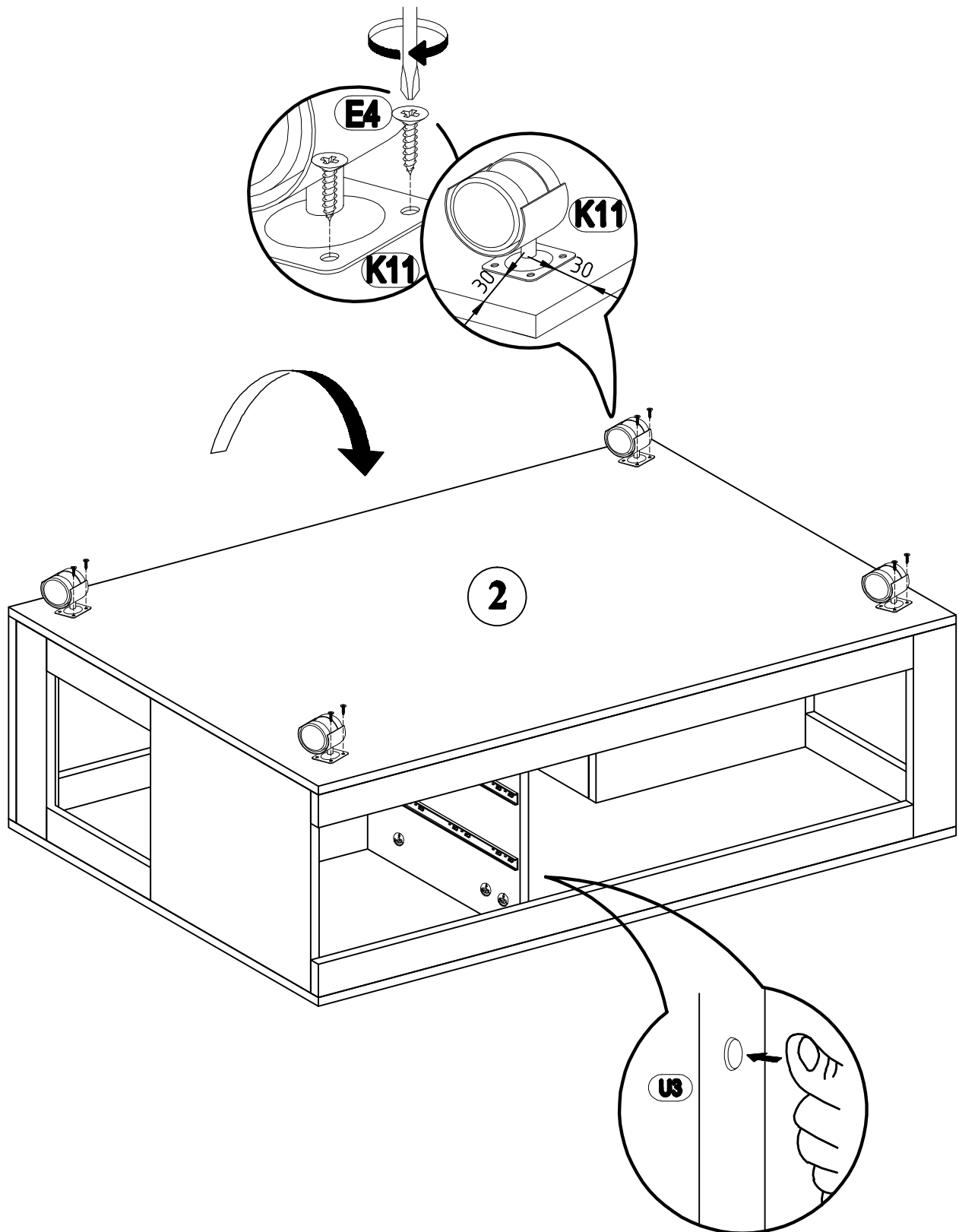


Bruno


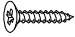





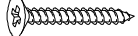


Bruno

 K11 $\phi 50\text{mm}$ x4	 E4 3,5*16 x16	 U3 x8
--	--	--



Bruno

 <p>M2 300mm x4</p>	 <p>E4 3,5*16 x16</p>	 <p>B1 6,3*50mm x16</p>	 <p>C1 6*43mm x8</p>
 <p>D1 15/16 x8</p>	 <p>A1 8*30mm x8</p>	 <p>I9 x4</p>	 <p>E9 3.5*27mm x8</p>

