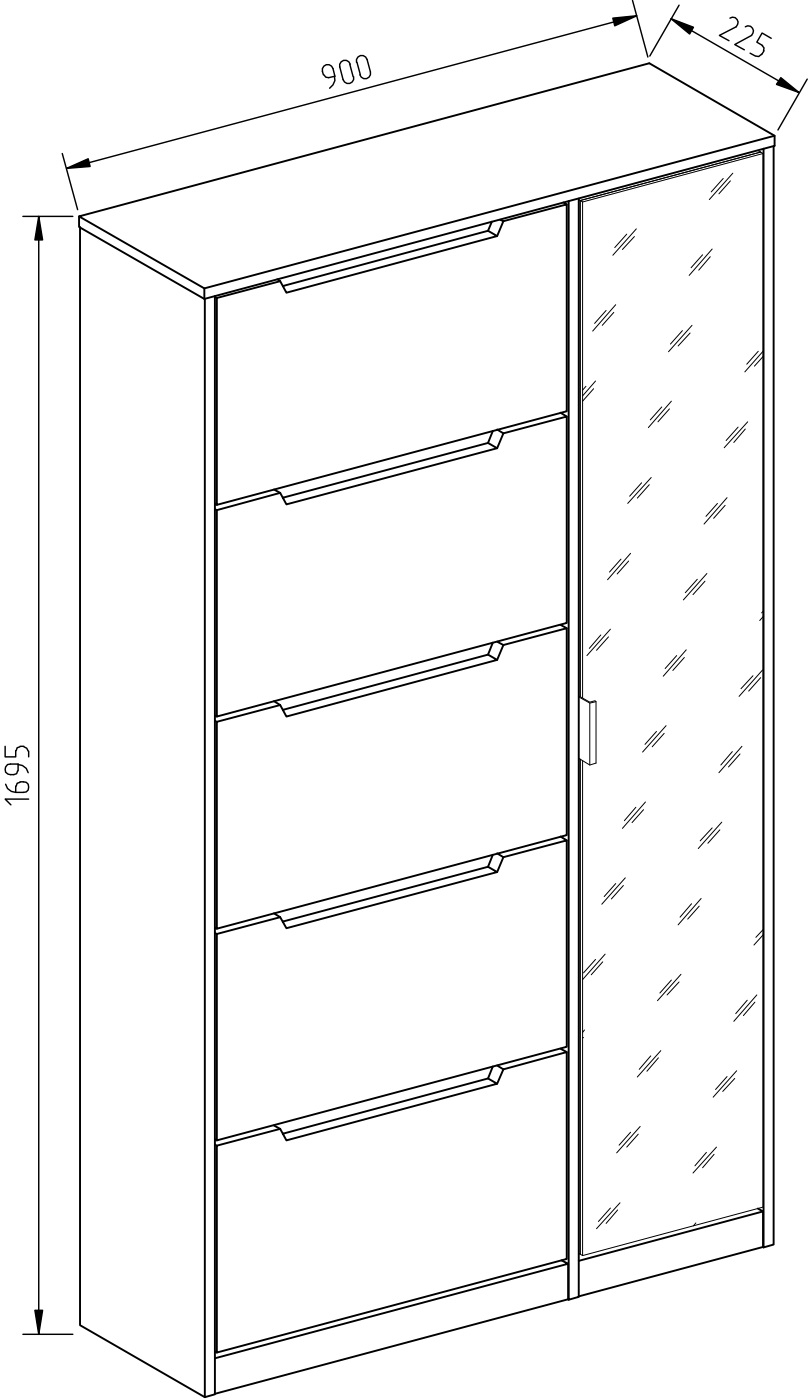
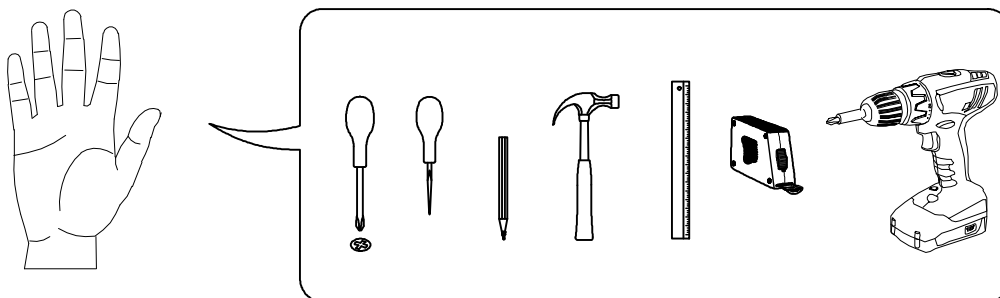


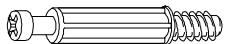
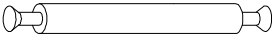
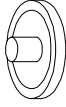

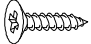

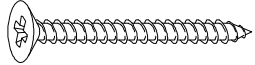

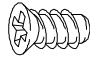
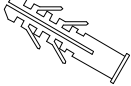
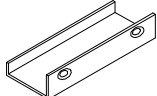
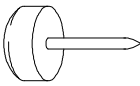


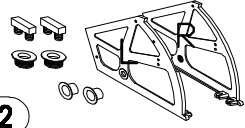




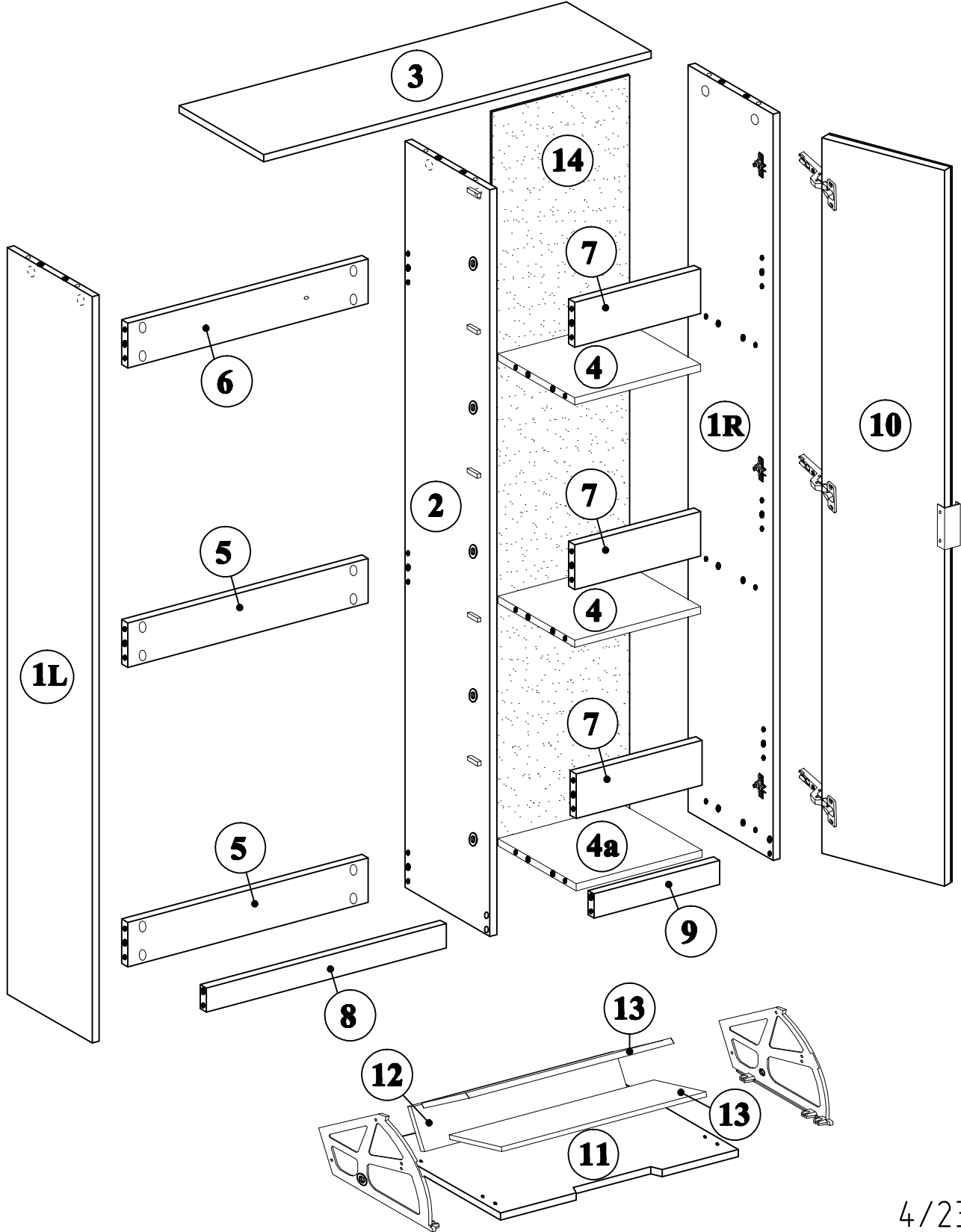
Luca




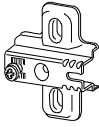
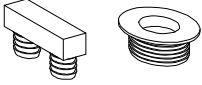




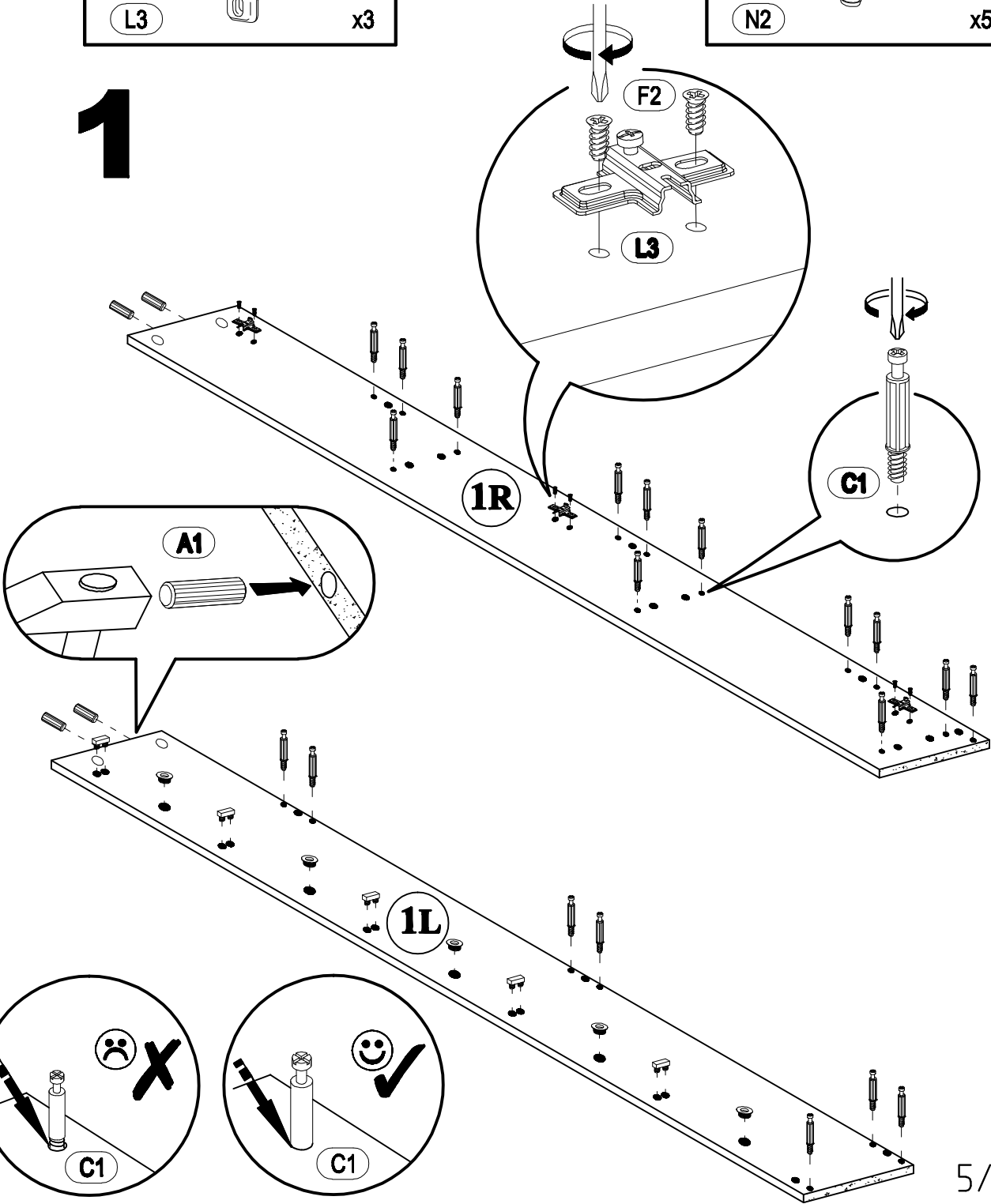
 A1 8*30mm x32	 A1 8*50mm x1	 C1 5*30mm x44
 C2 8*56mm x1	 D x46	 D1 16mm x46
 E5 3,5*16mm x30	 E9 4*16mm x8	 E19 5*50mm x1
 F1 5,0*13mm x10	 F2 6,3*13mm x36	 H5 8*40mm x1
 I32 64/94 x1	 K1 x6	  L3 x3
 N2 x5	 R3 1.4*25mm 0.010kg	


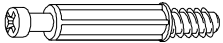
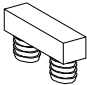

№	a*b	X	№→...
1R	1674x220	1	1/2
1L	1674x220	1	1/2
2	1674x220	1	1/2
3	900x220	1	1/2
4	292x199	2	2/2
4a	292x203	1	1/2
5	558x100	2	1/2
6	558x100	1	1/2
7	292x100	3	1/2
8	558x54	1	1/2
9	292x54	1	1/2
10	1606x285	1	1/2
11	552x314	5	2/2
12	548x90	5	2/2
13	548x142	10	2/2
14	1648x320	1	1/2
		1	2/2



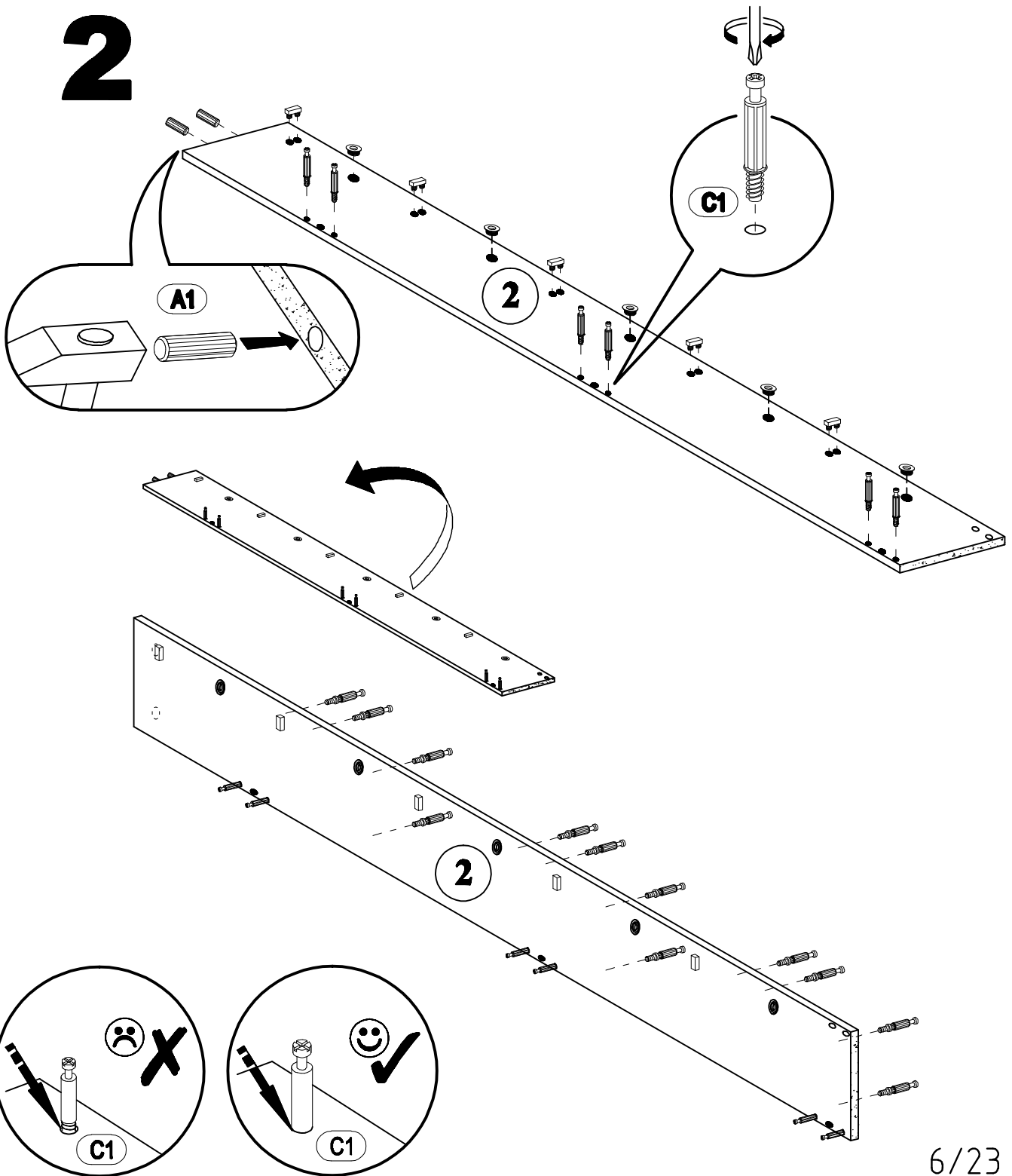
 A1 8*30mm x4	 C1 5*30mm x20	 F2 6,3*13mm x6
 L3 x3		 N2 x5


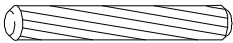
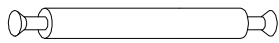

1



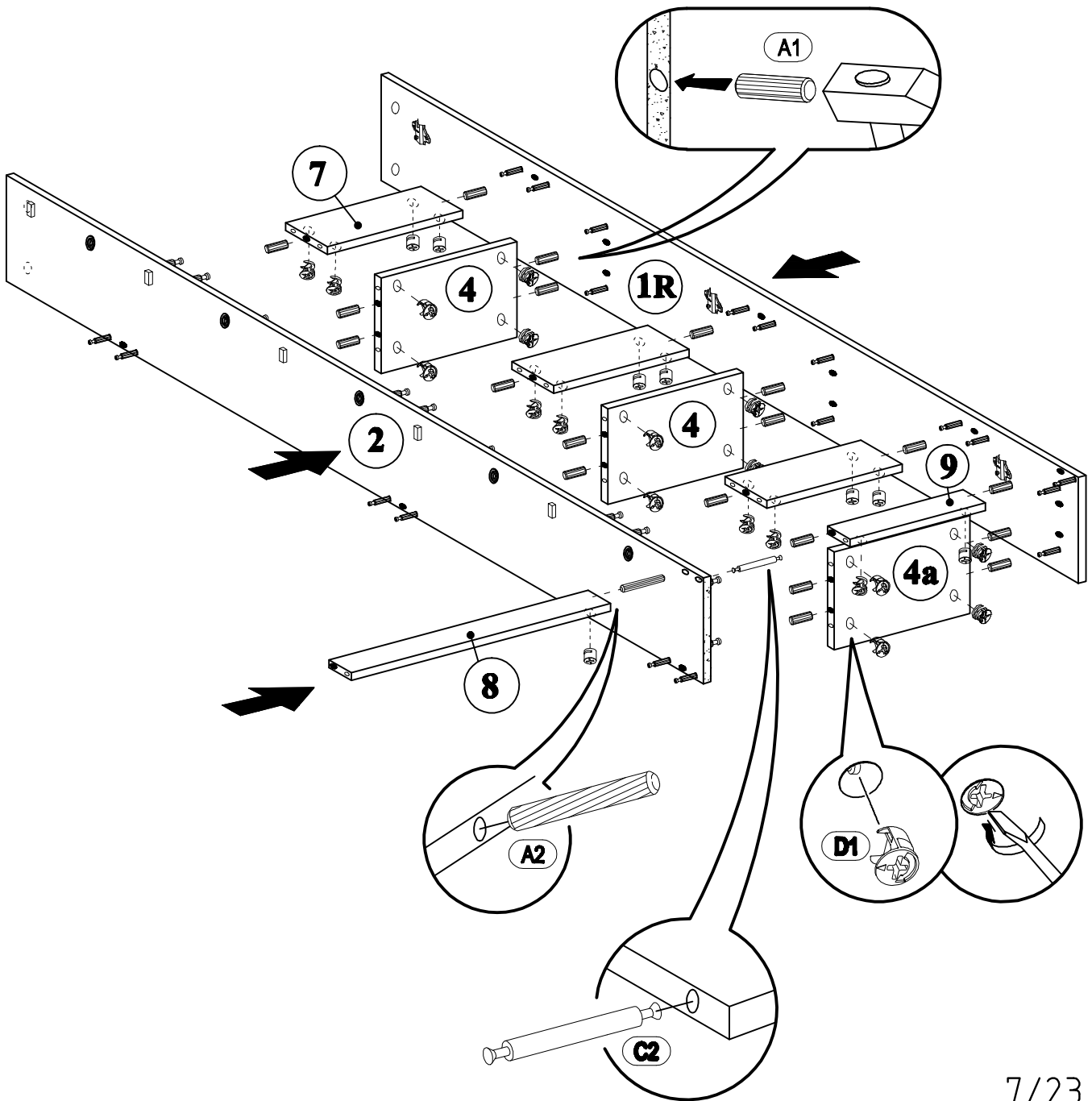
 <p>A1 8*30mm x2</p>	 <p>C1 5*30mm x18</p>	  <p>N2 x5</p>
--	---	---



2



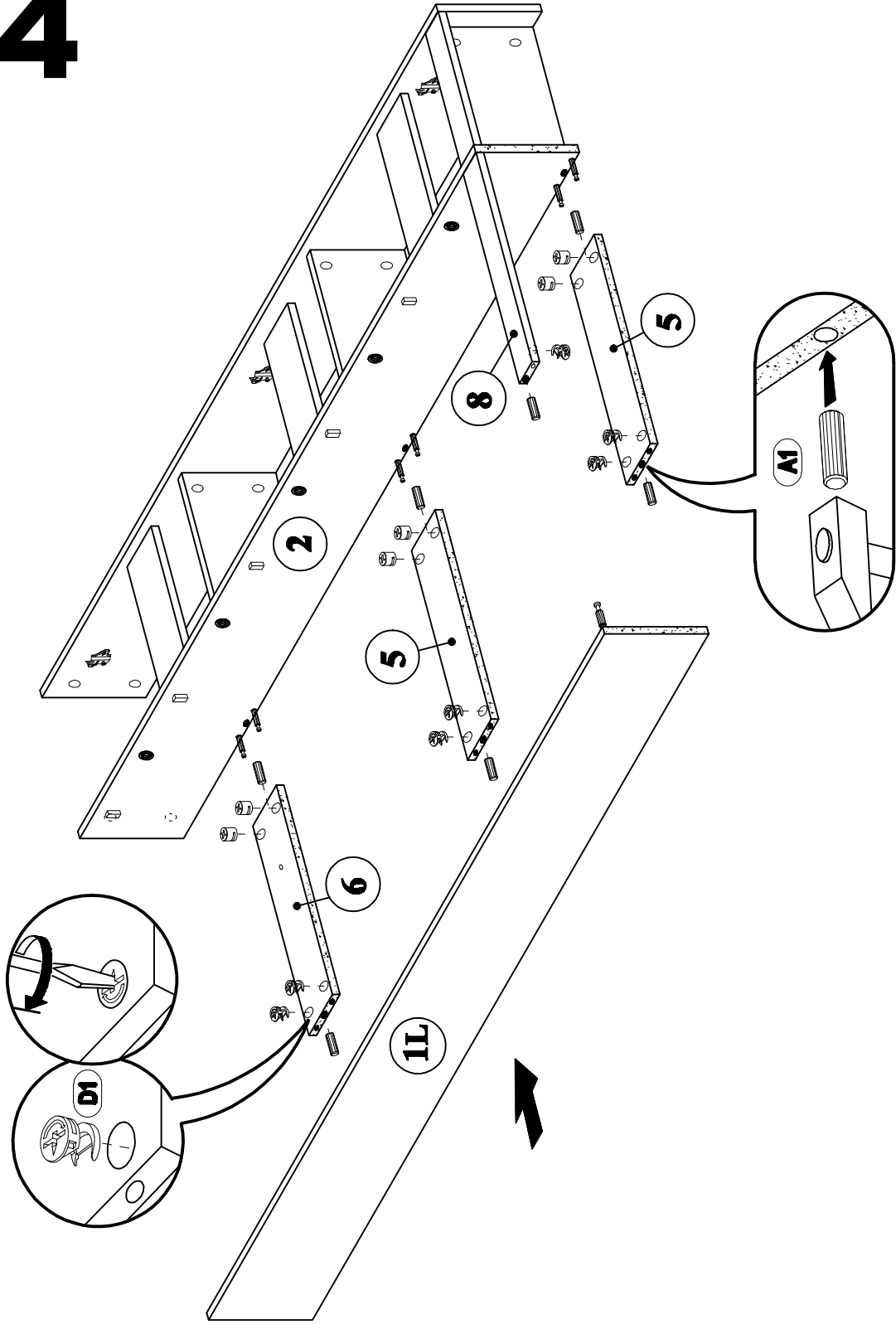
 A1 8*30mm x20	 A1 8*50mm x1	 C2 8*56mm x1
		 D1 16mm x27



3



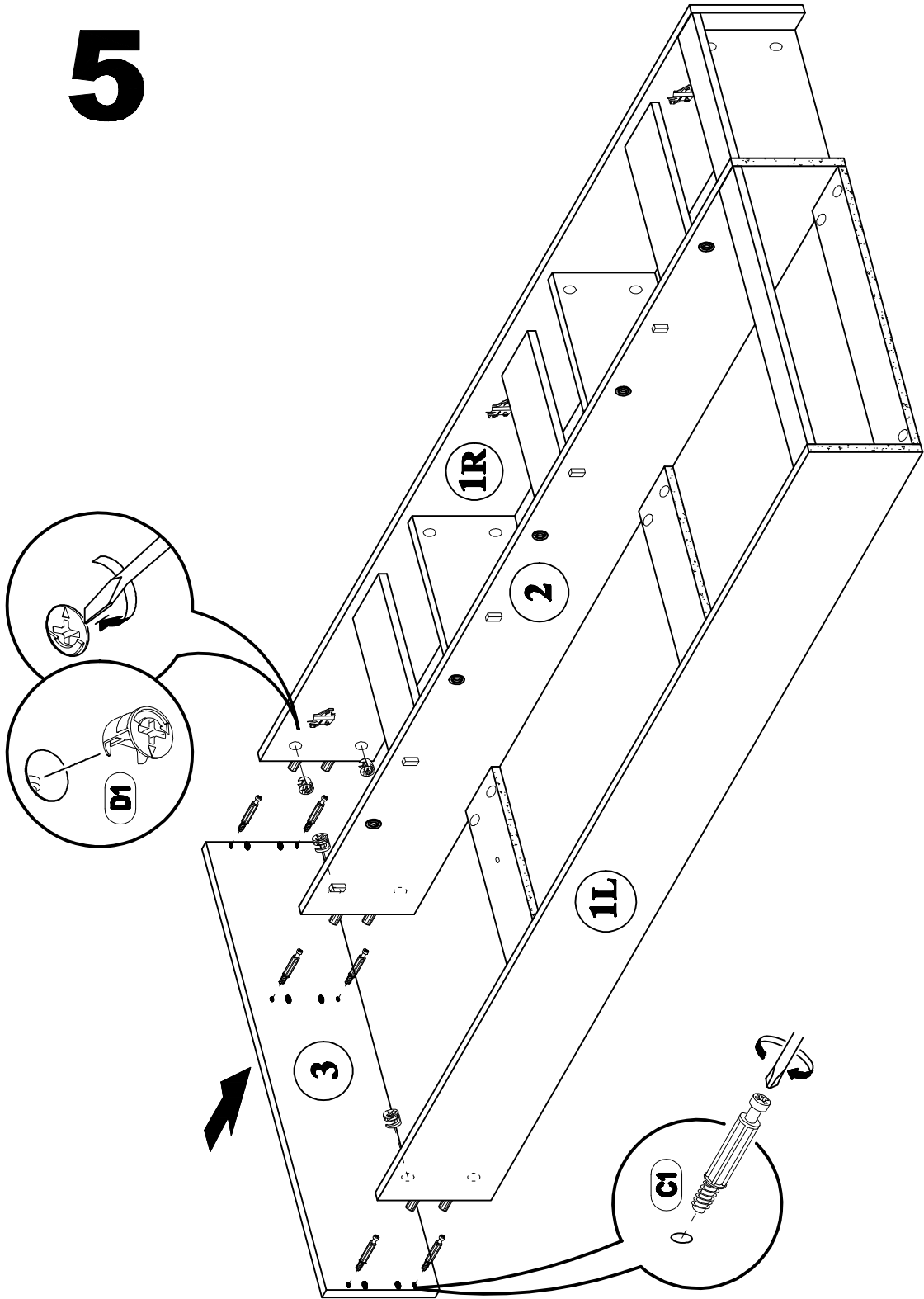
	
A1 8*30mm x7	D1 16mm x13

4

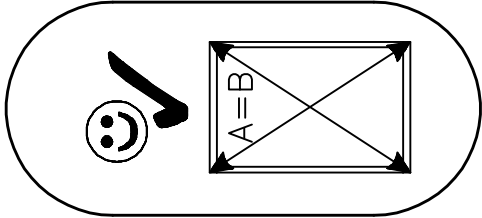
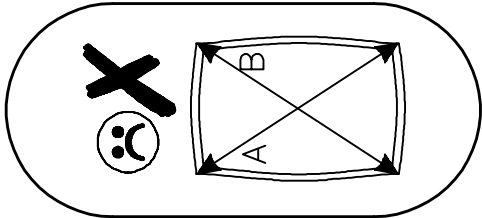
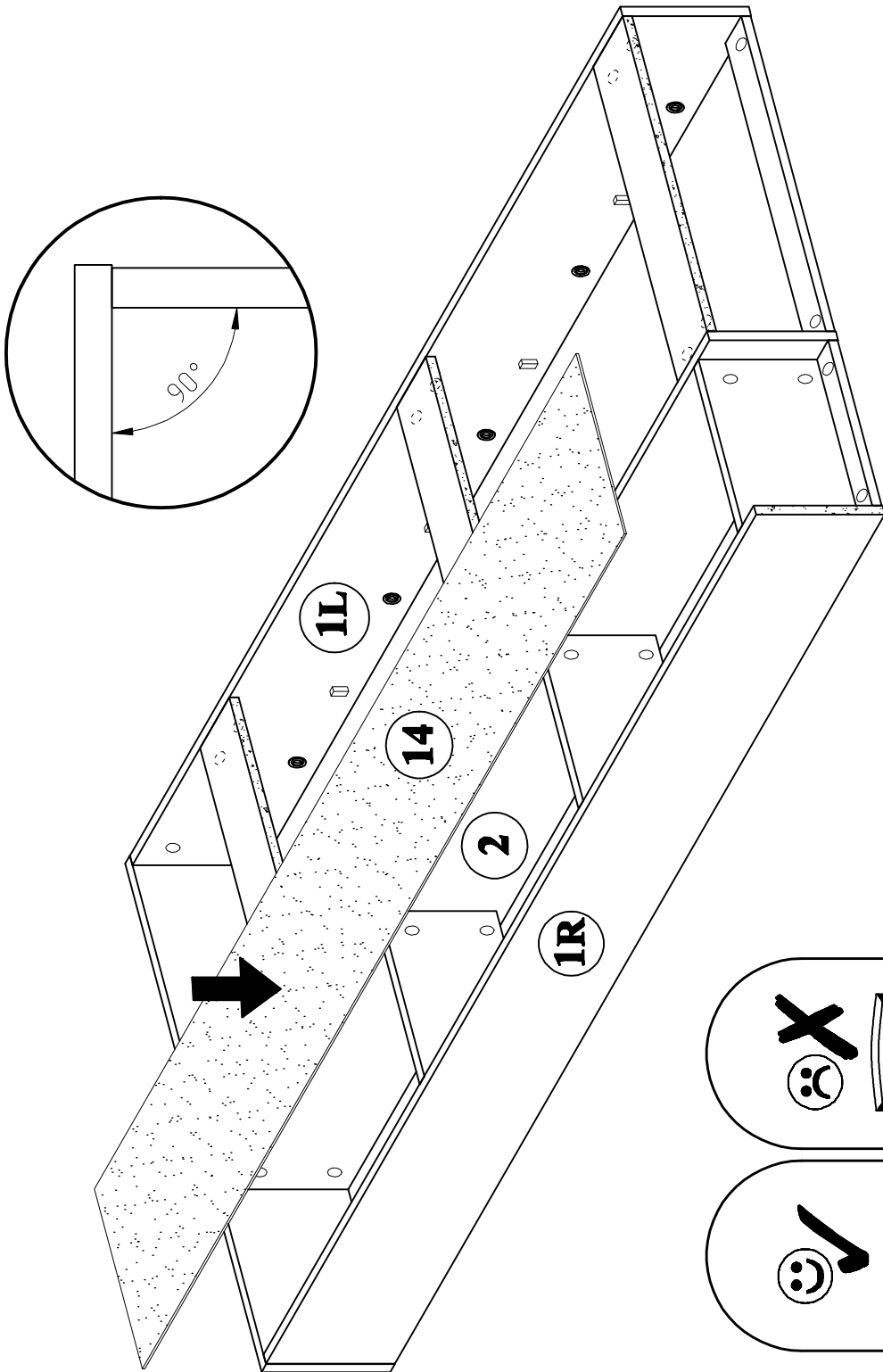


	
C1 5*30mm x6	D1 16mm x6


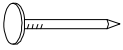
5

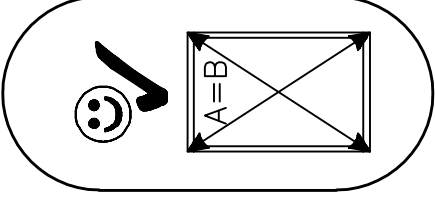
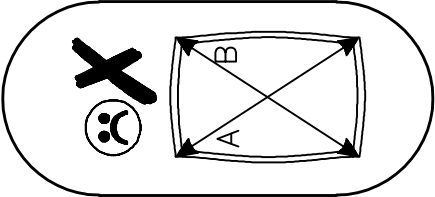
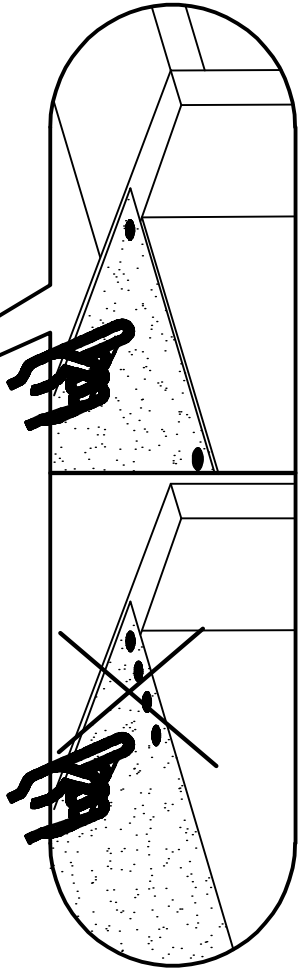
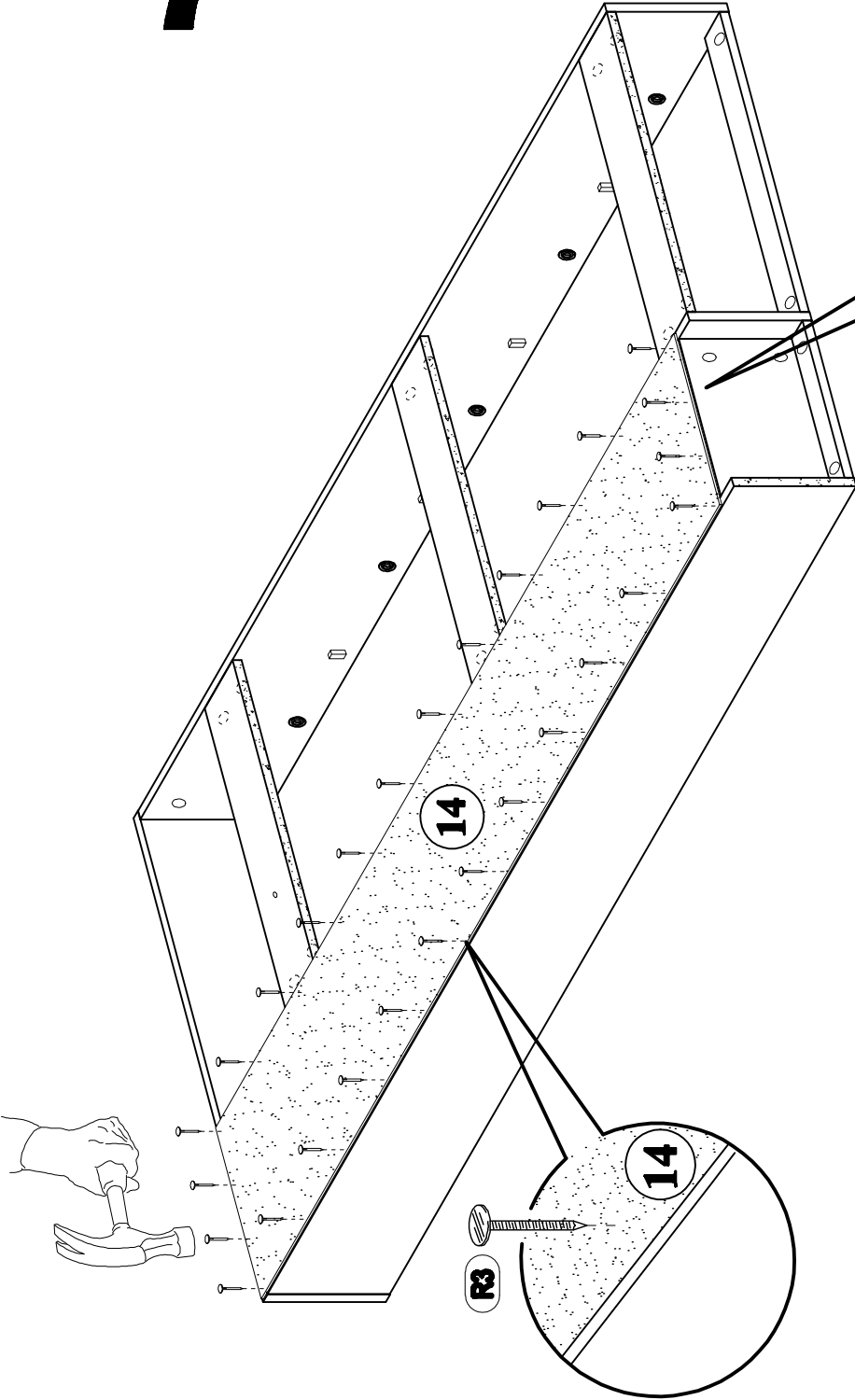


6

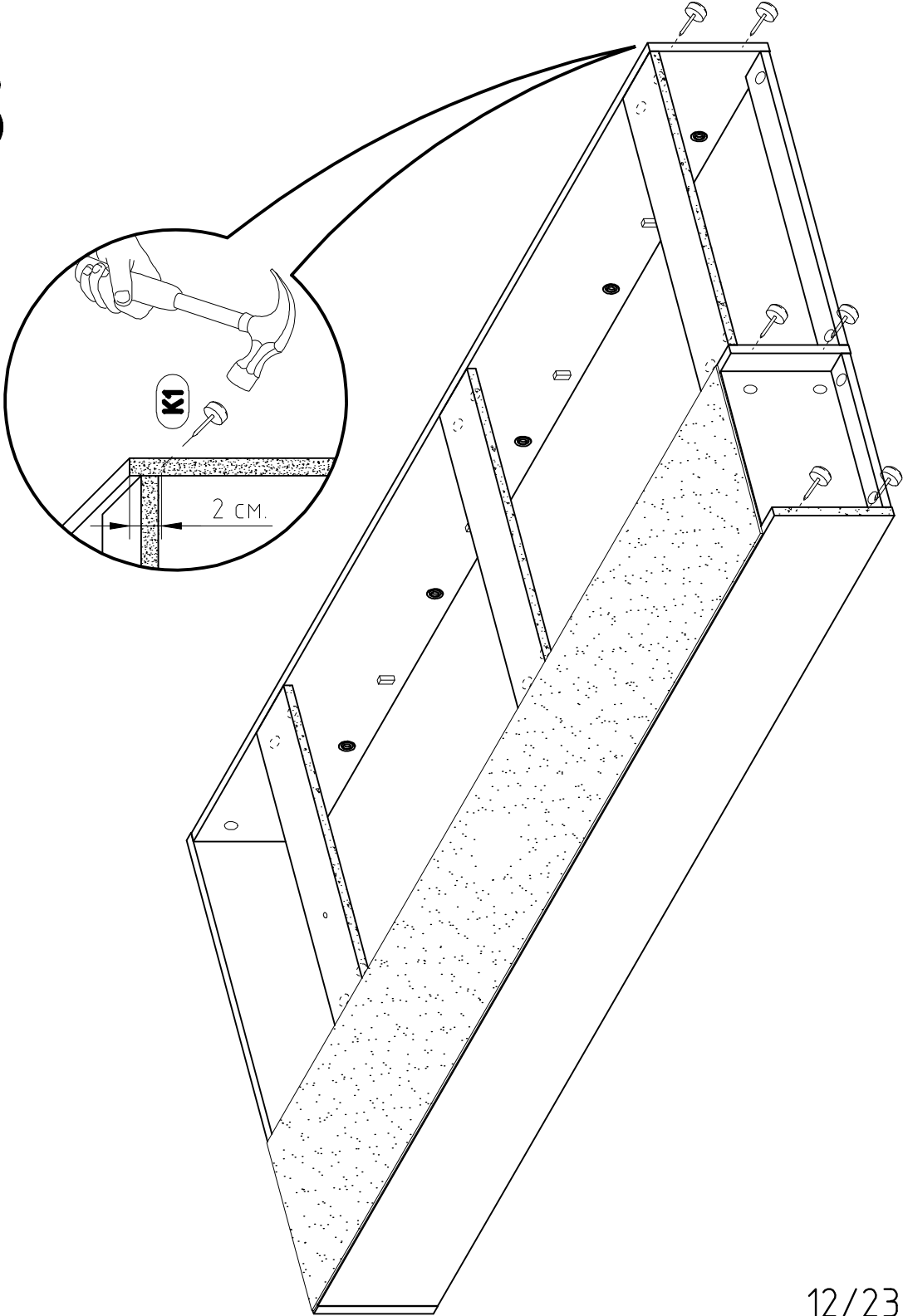
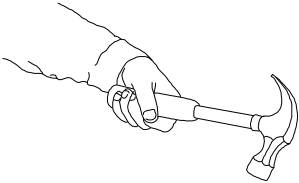
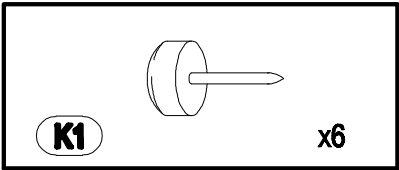




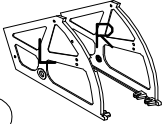
7

 
R3 1.4*25mm 0.010kg



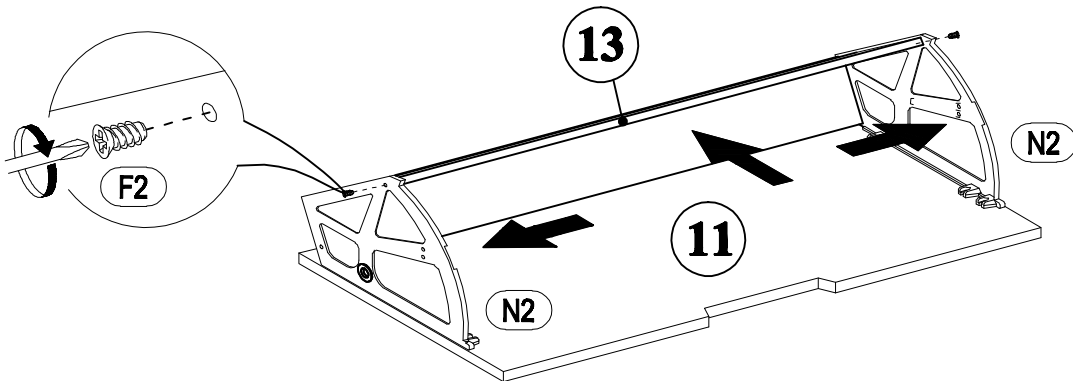
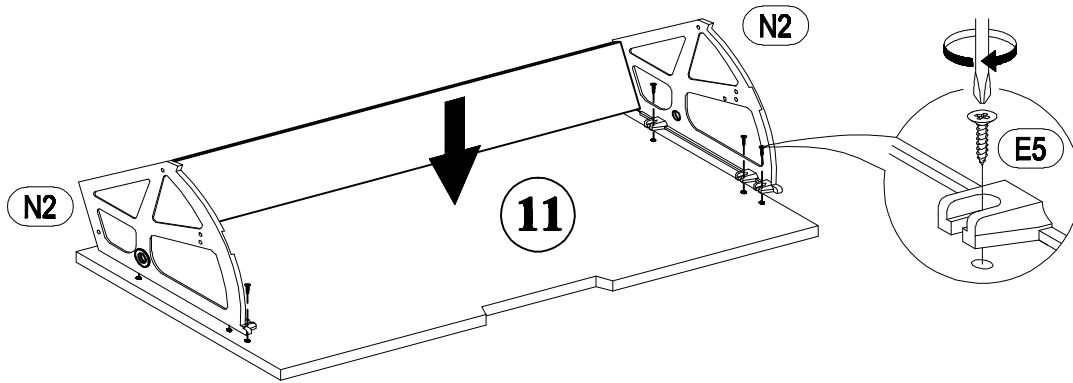
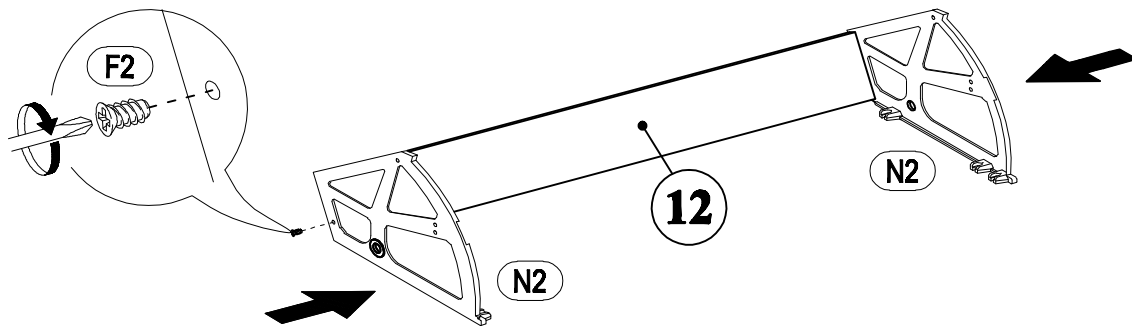
8

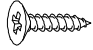
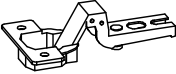



 E5 3,5*16mm x30	 F2 6,3*13mm x20	 N2 x5
---	---	---

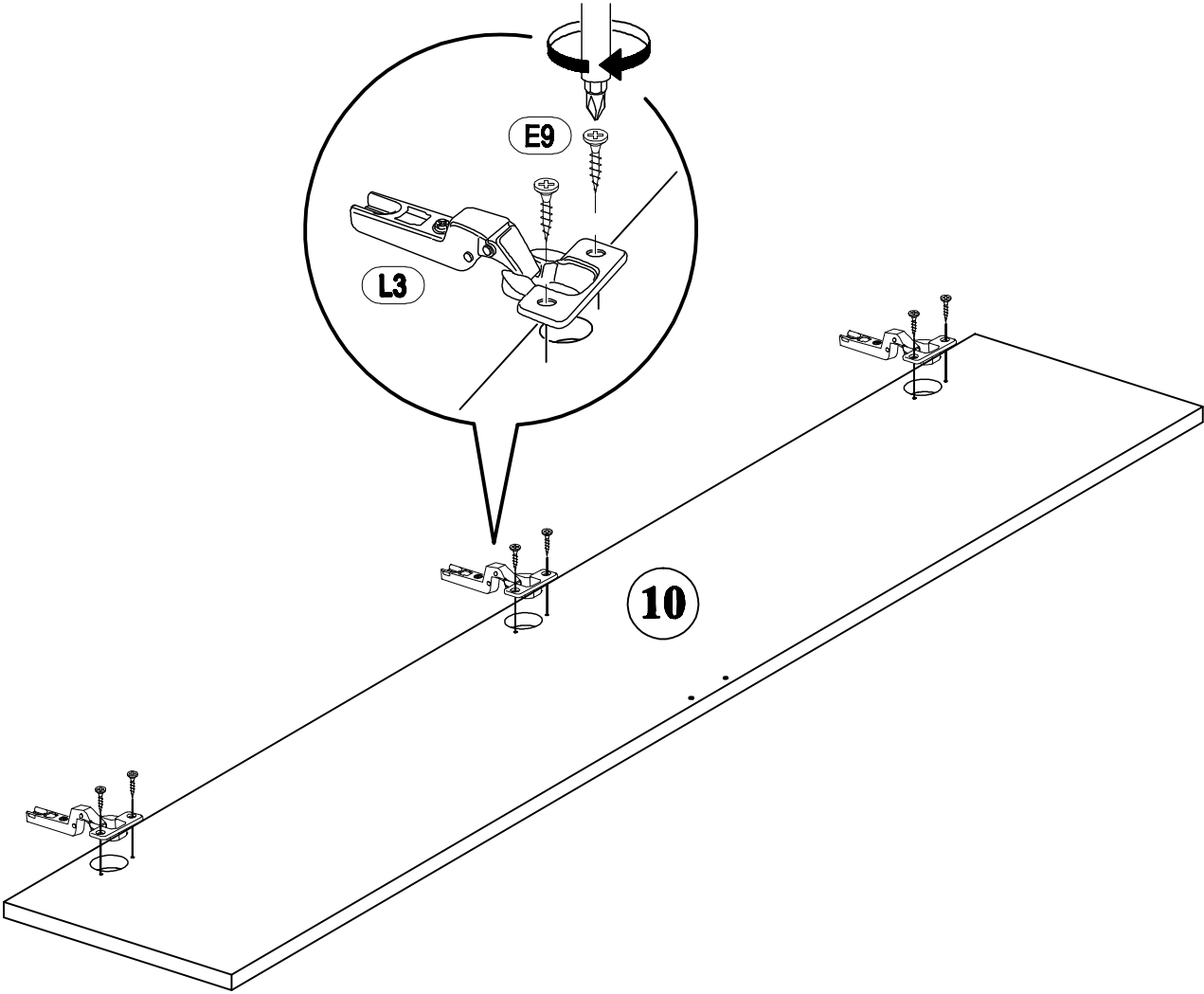
9


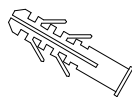
9
x5



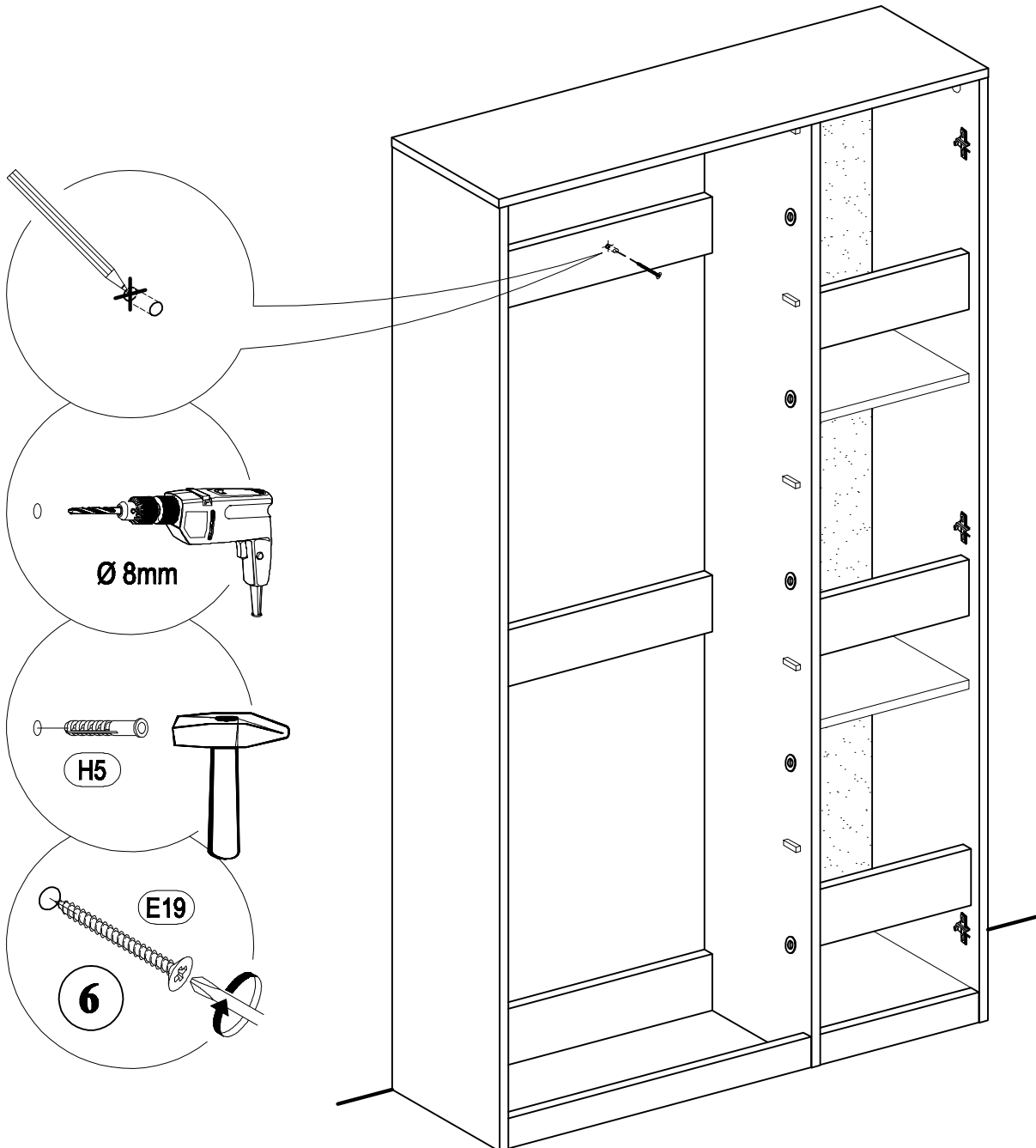
 <p>E9 4*16mm x6</p>	  <p>L3 x3</p>
--	--



10



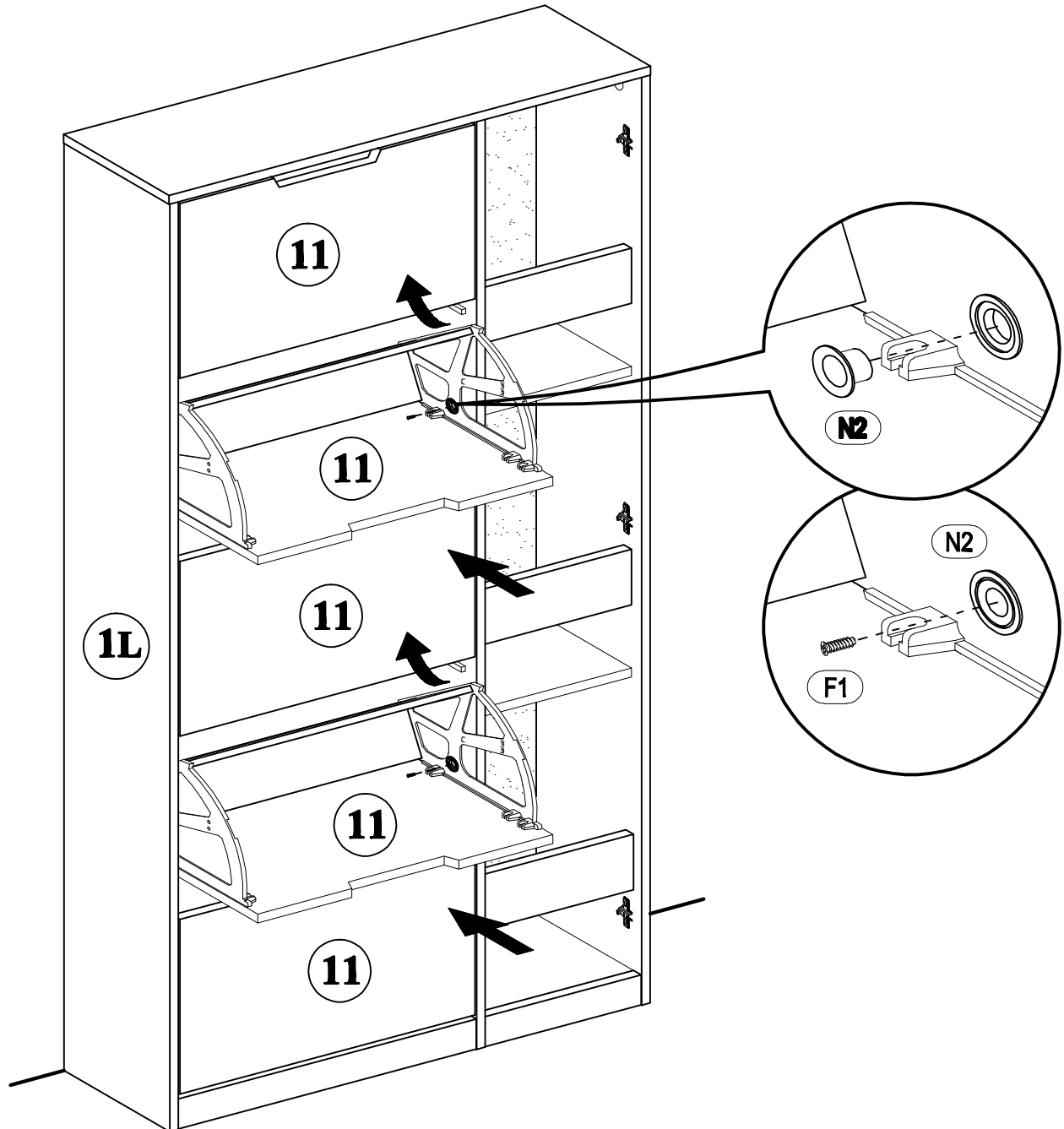
 E19 5*50mm x1	 H5 8*40mm x1
---	--

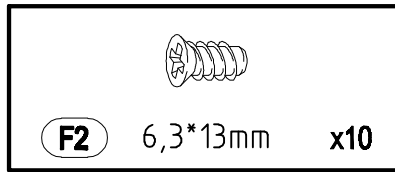
11



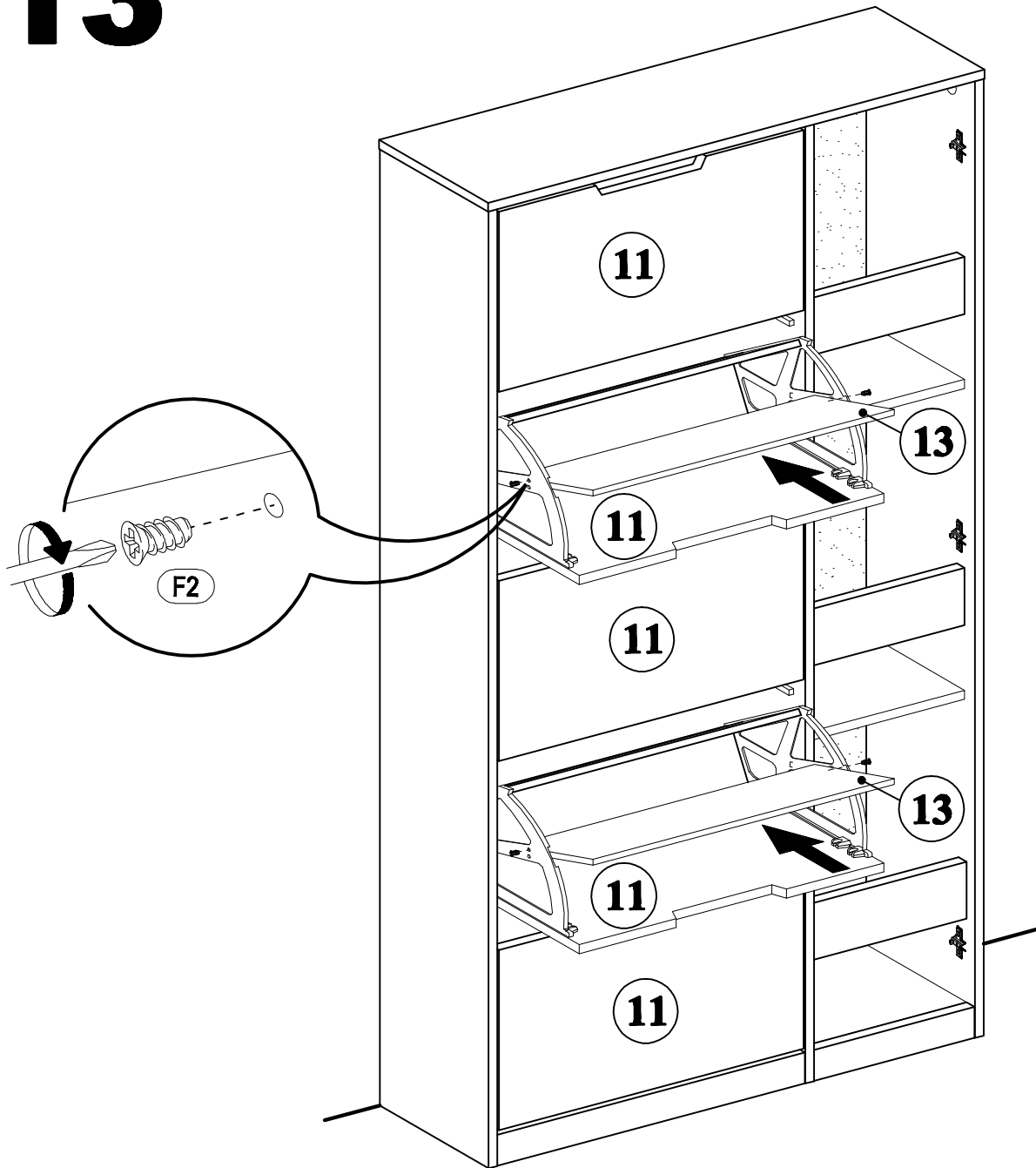
 F1 5,0*13mm x10	 N2 x10
--	---

12

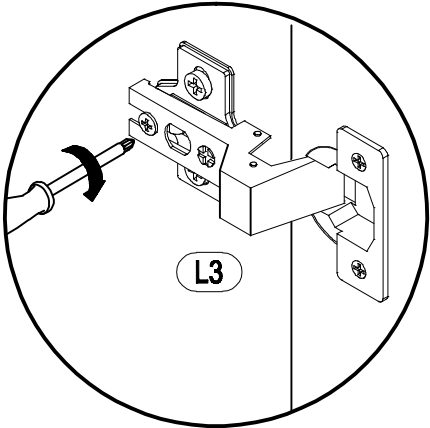
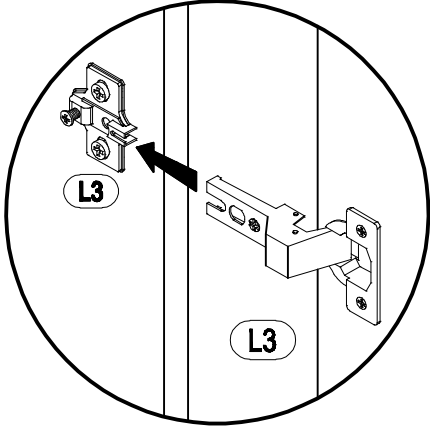
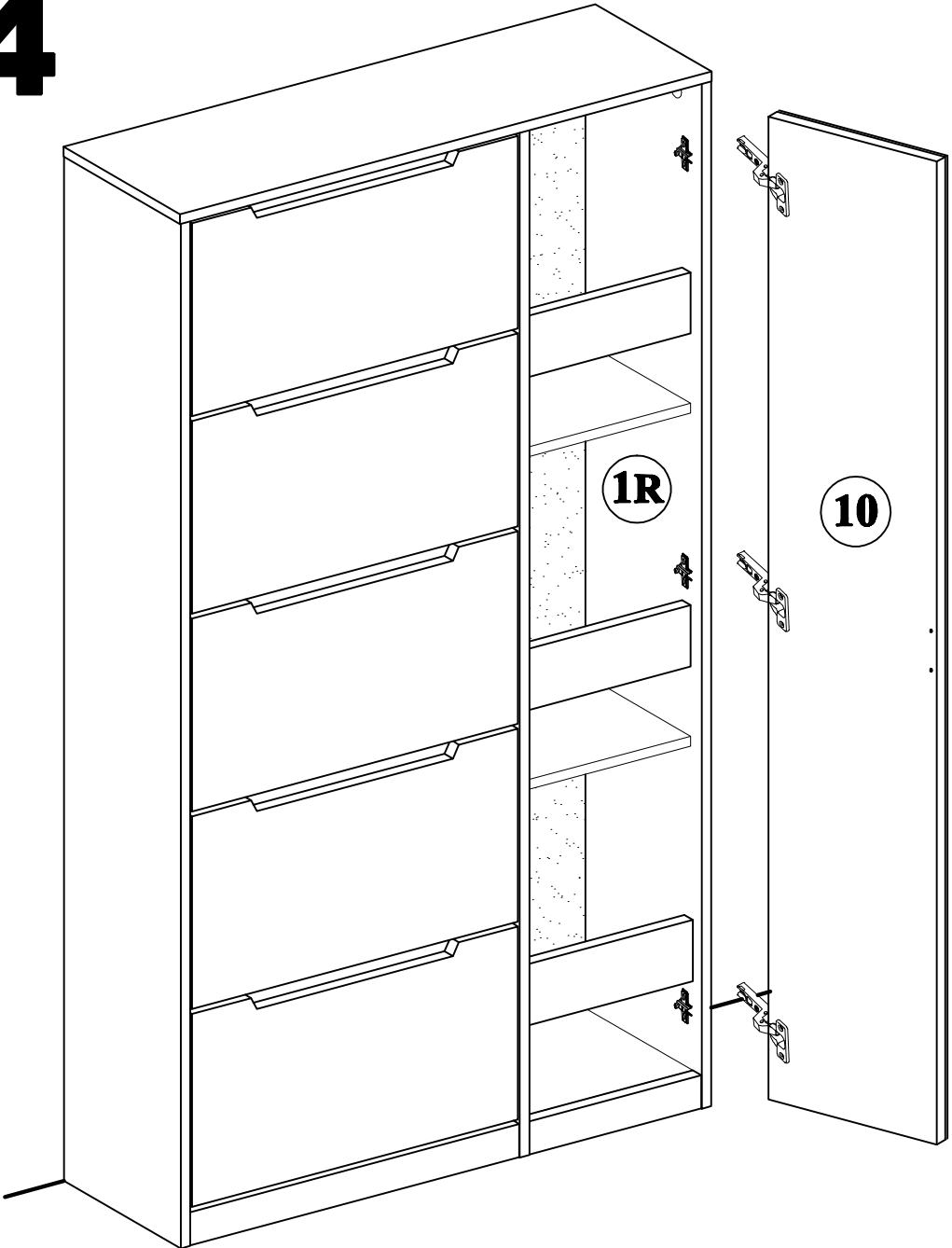





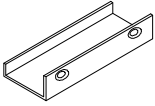
13

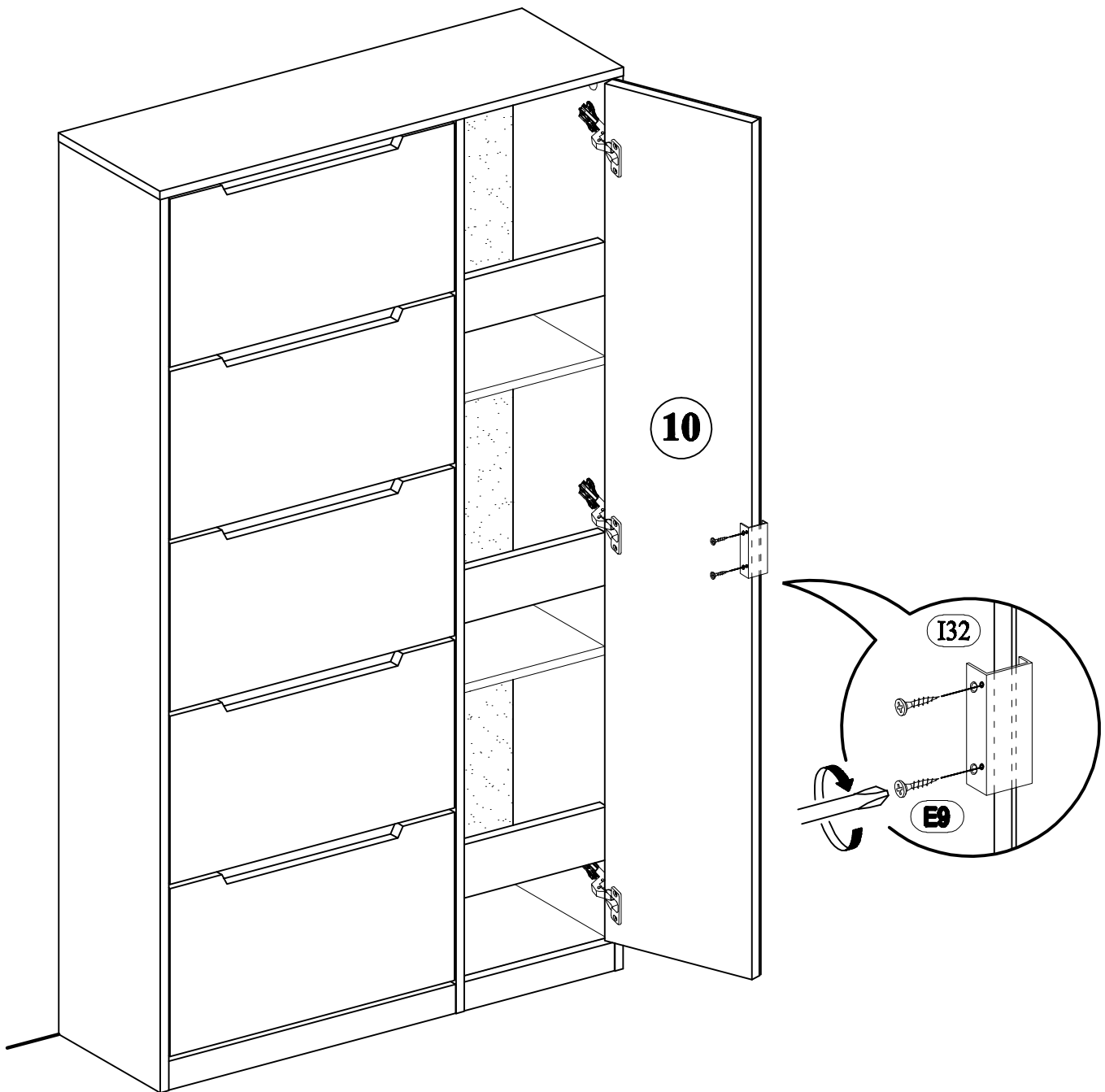


14



15

	
E9 4*16mm x2	I32 64/94 x1



16

