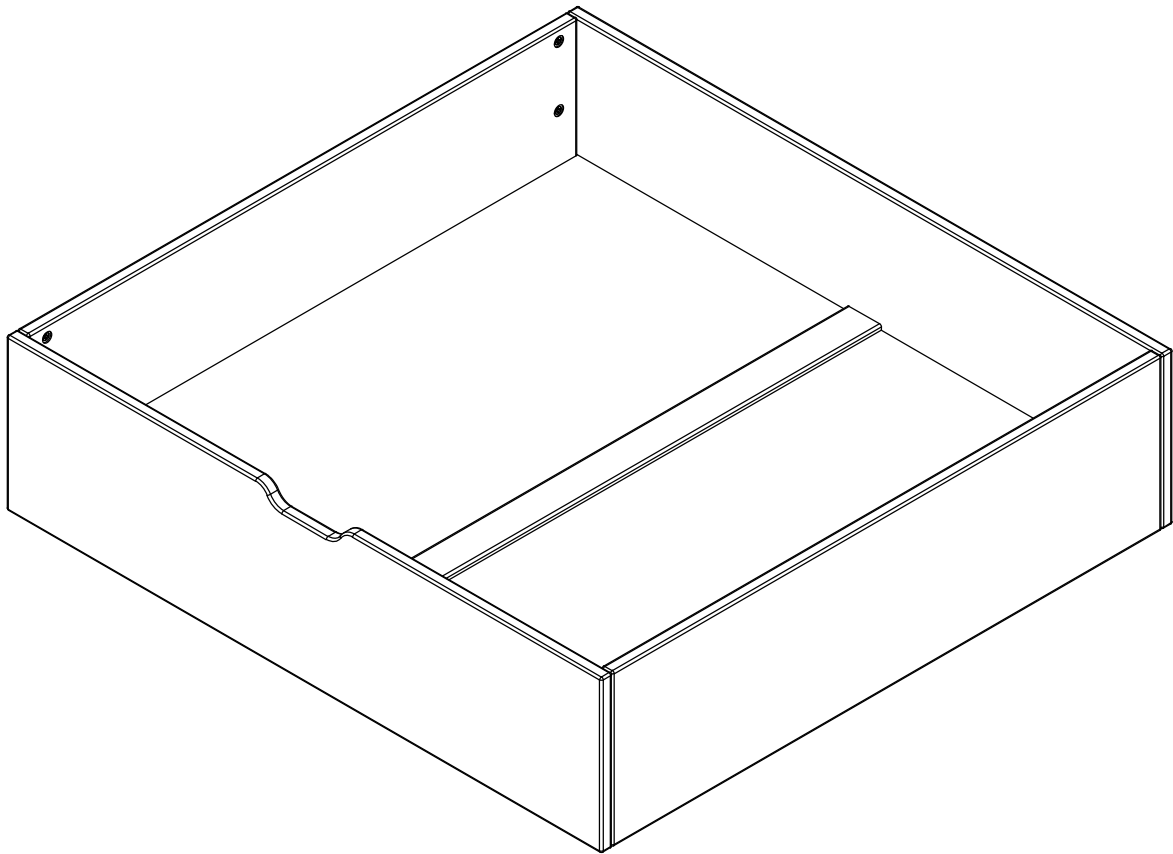
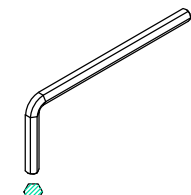
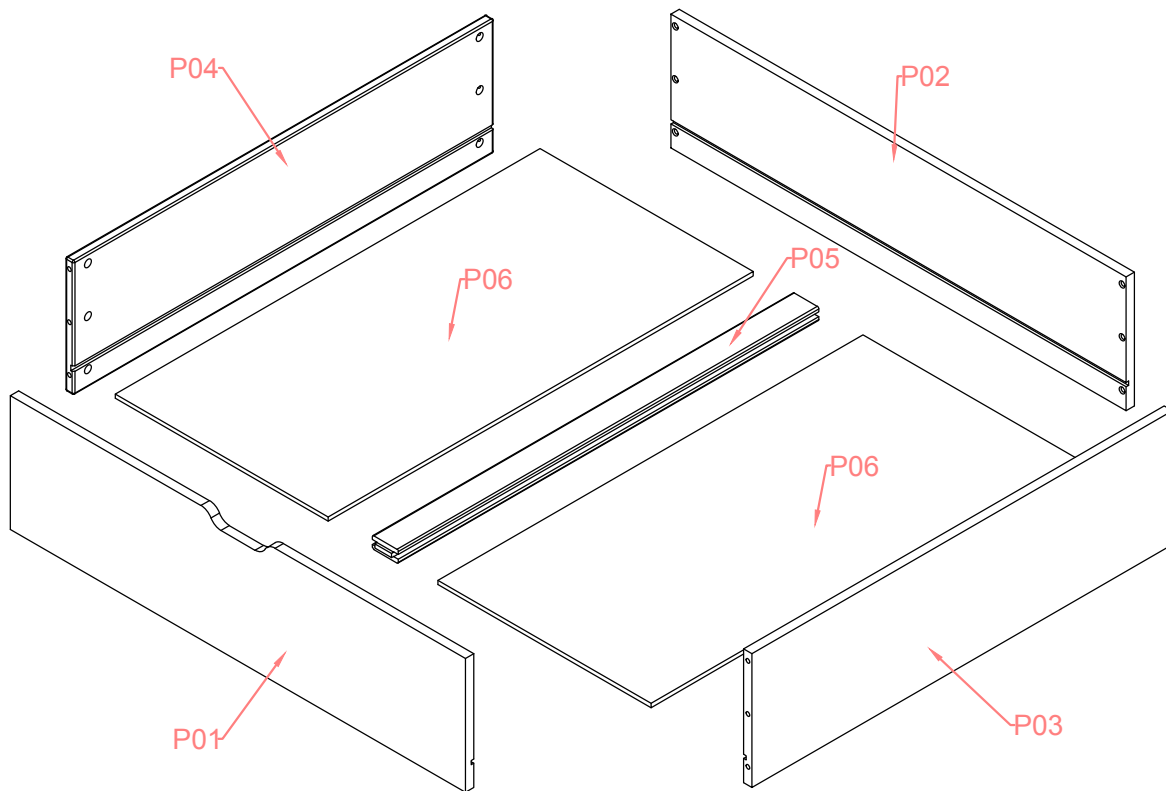


*DESIGN ART*

# Assembly instructions Montageanleitung





SW 4



<b>A</b>		<b>12</b>
----------	--	-----------

<b>B</b>	 Ø4x16	<b>8</b>
----------	-----------	----------

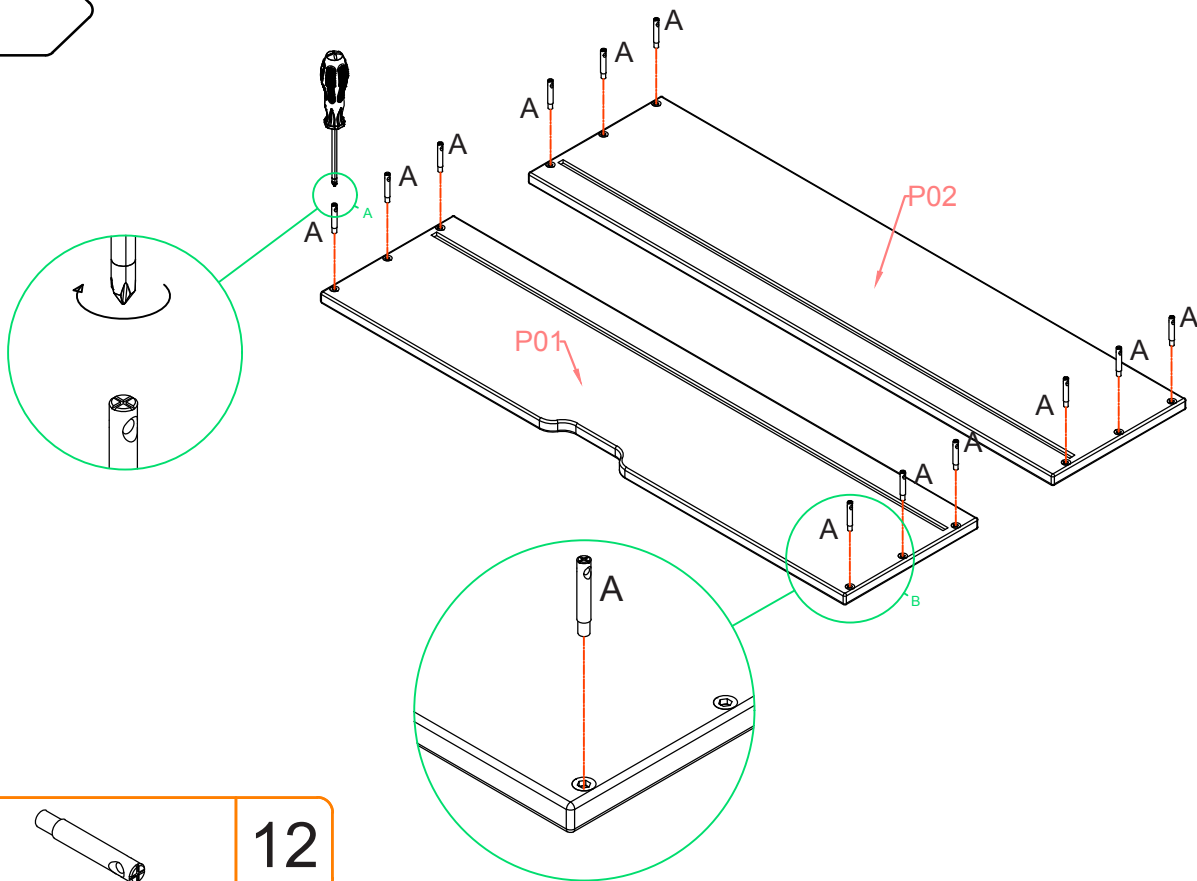
<b>C</b>		<b>4</b>
----------	--	----------

<b>D</b>		<b>12</b>
----------	--	-----------

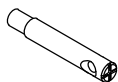
--	--	--

--	--	--

1

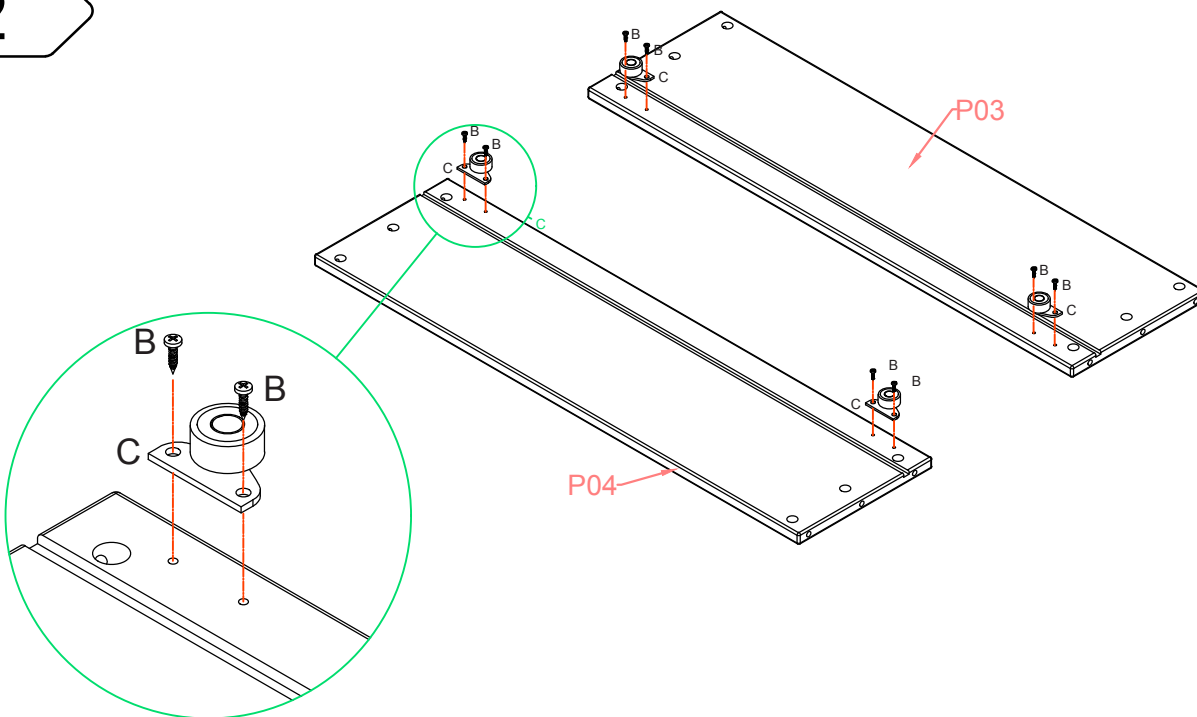


A



12

2



B



Ø4x16

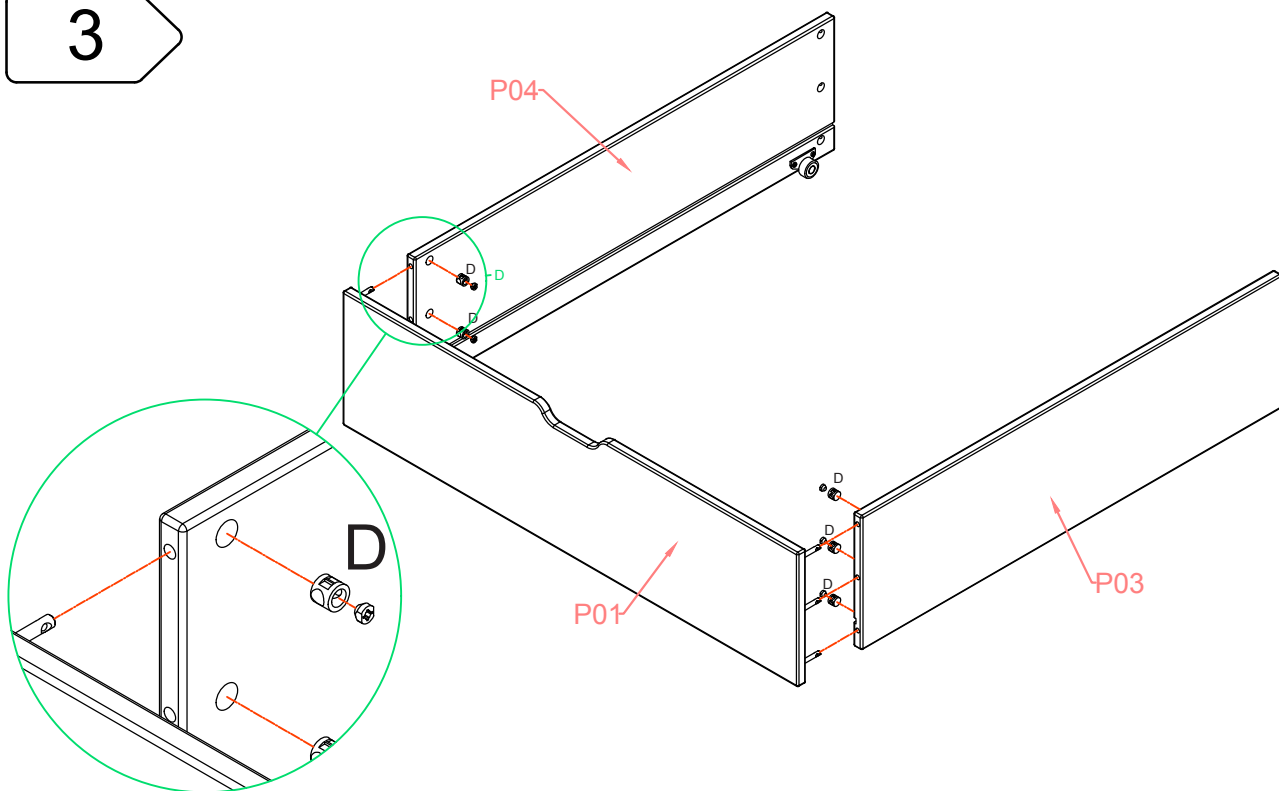
8

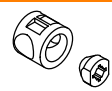
C



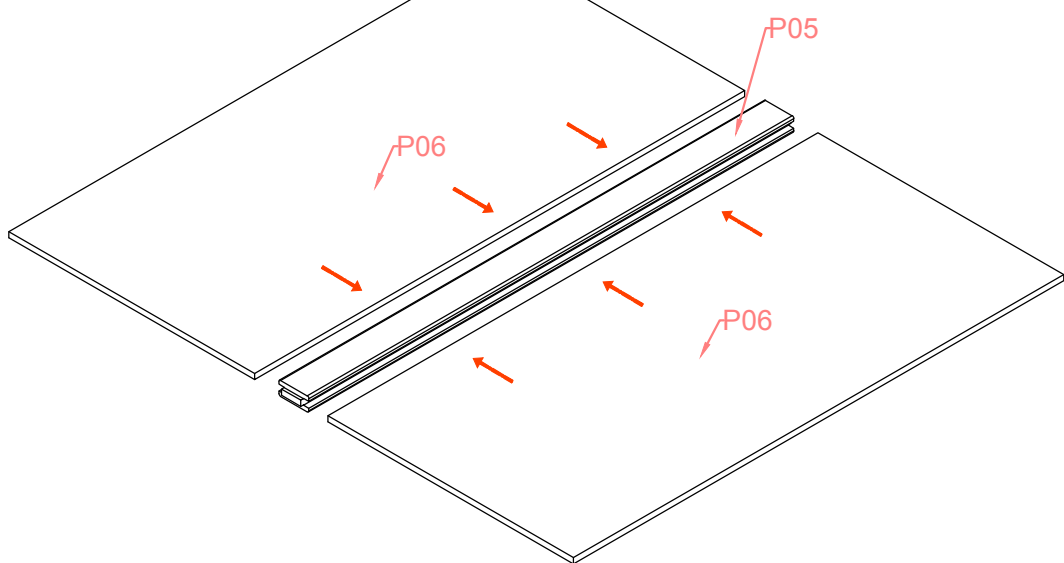
4

3

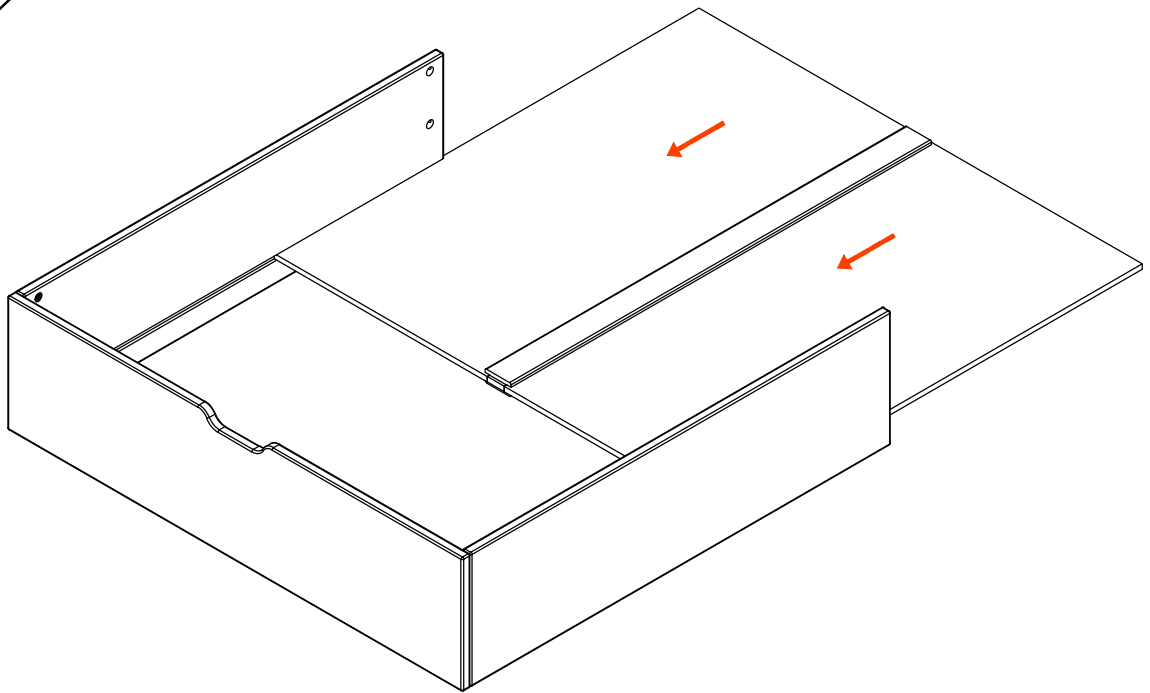


D		6
---	-------------------------------------------------------------------------------------	---

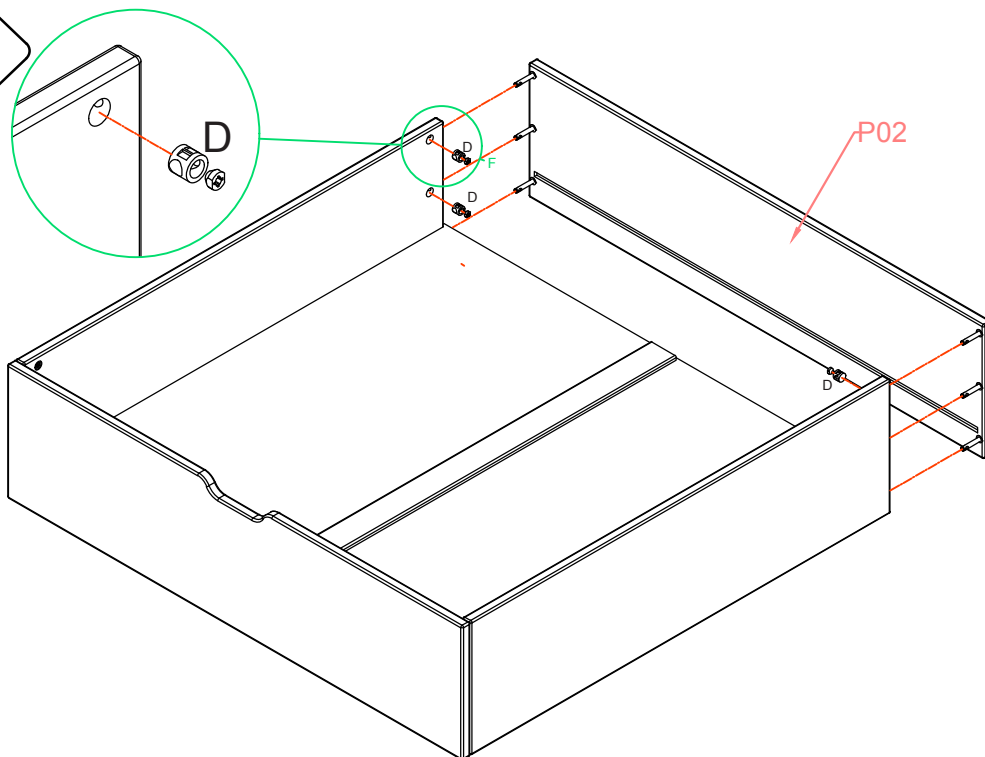
4



5



6



D



6

7

