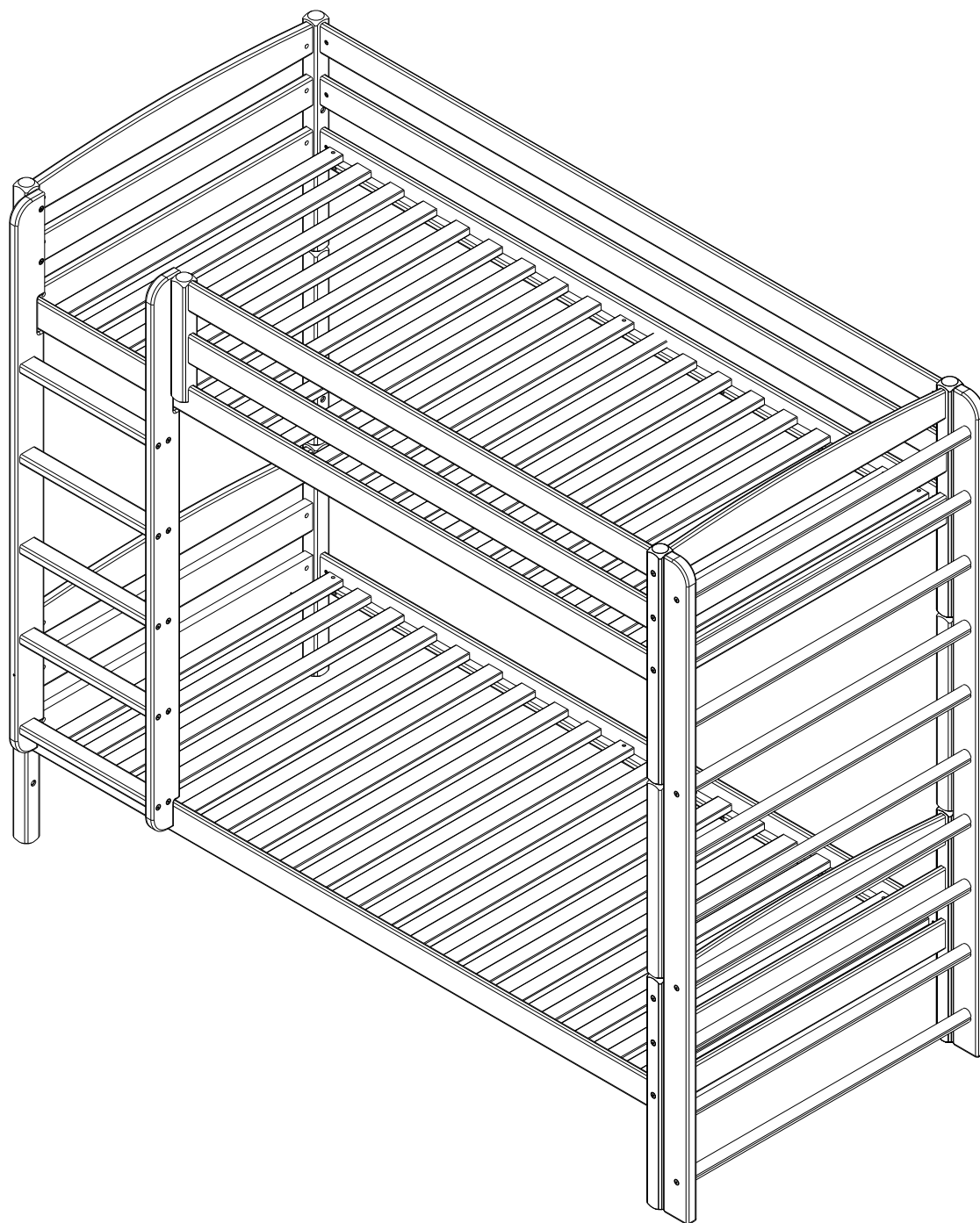


DESIGN ART

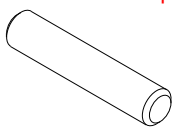
Assembly instructions Montageanleitung



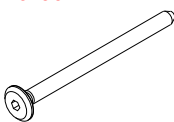
DESIGN ART



A- Ø8x30..... 32 pcs



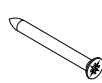
B- M6x90 14 pcs



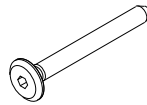
C - Ø10x14 16 pcs



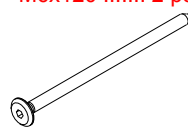
D - Ø4x35 14 pcs



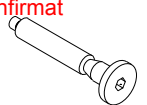
E -M6x60 8 pcs



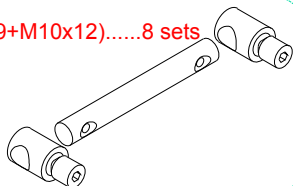
F -M6x120 2 pcs



L-Ø7x60 20 pcs
Confirmat



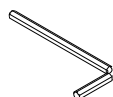
G-(Ø10x82+Ø15x19+M10x12).....8 sets



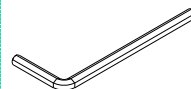
H -M6x15 2 pcs



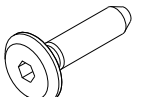
I - SW 4 mm... 1 pcs



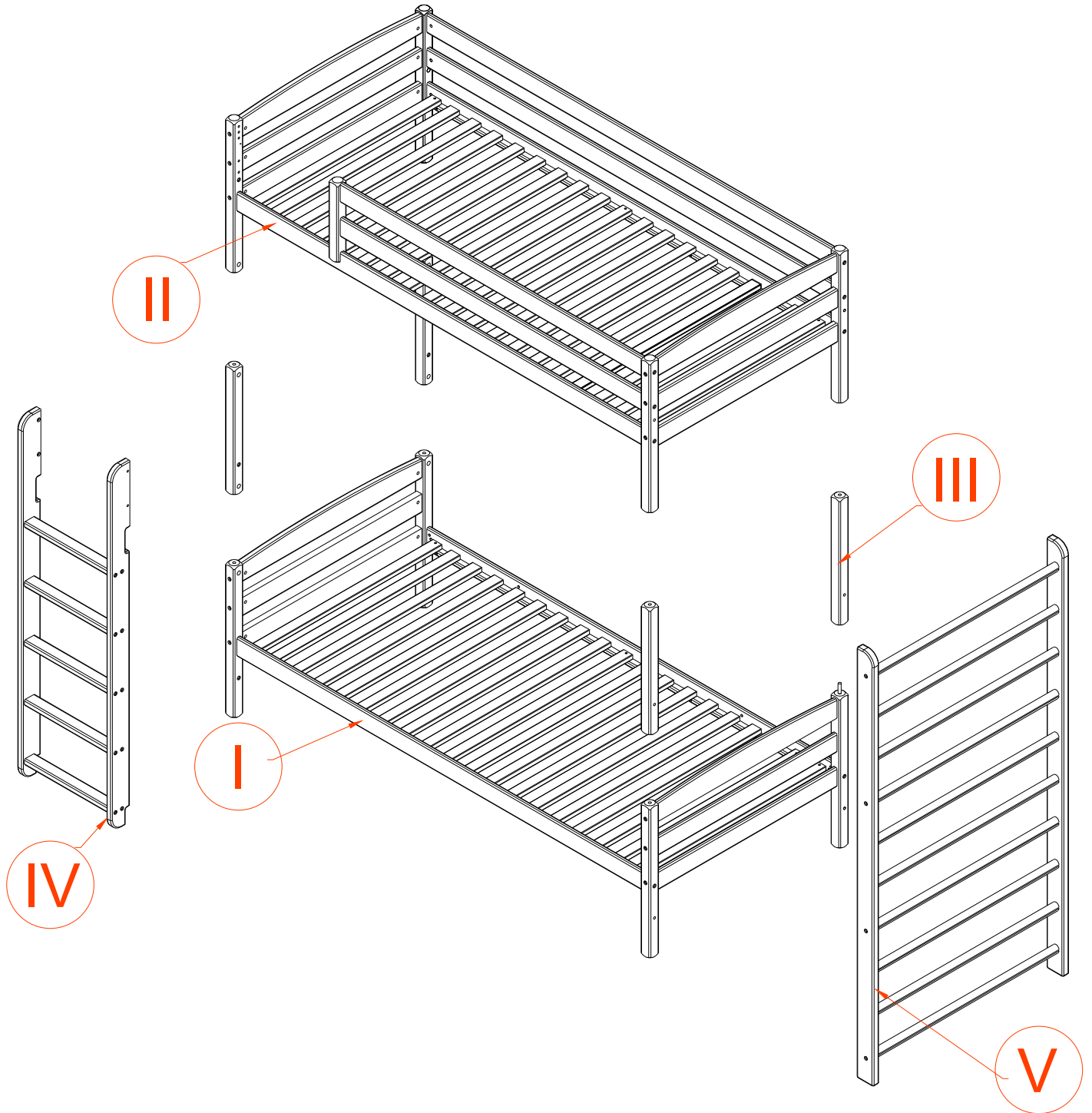
J - SW 5 mm... 1 pcs

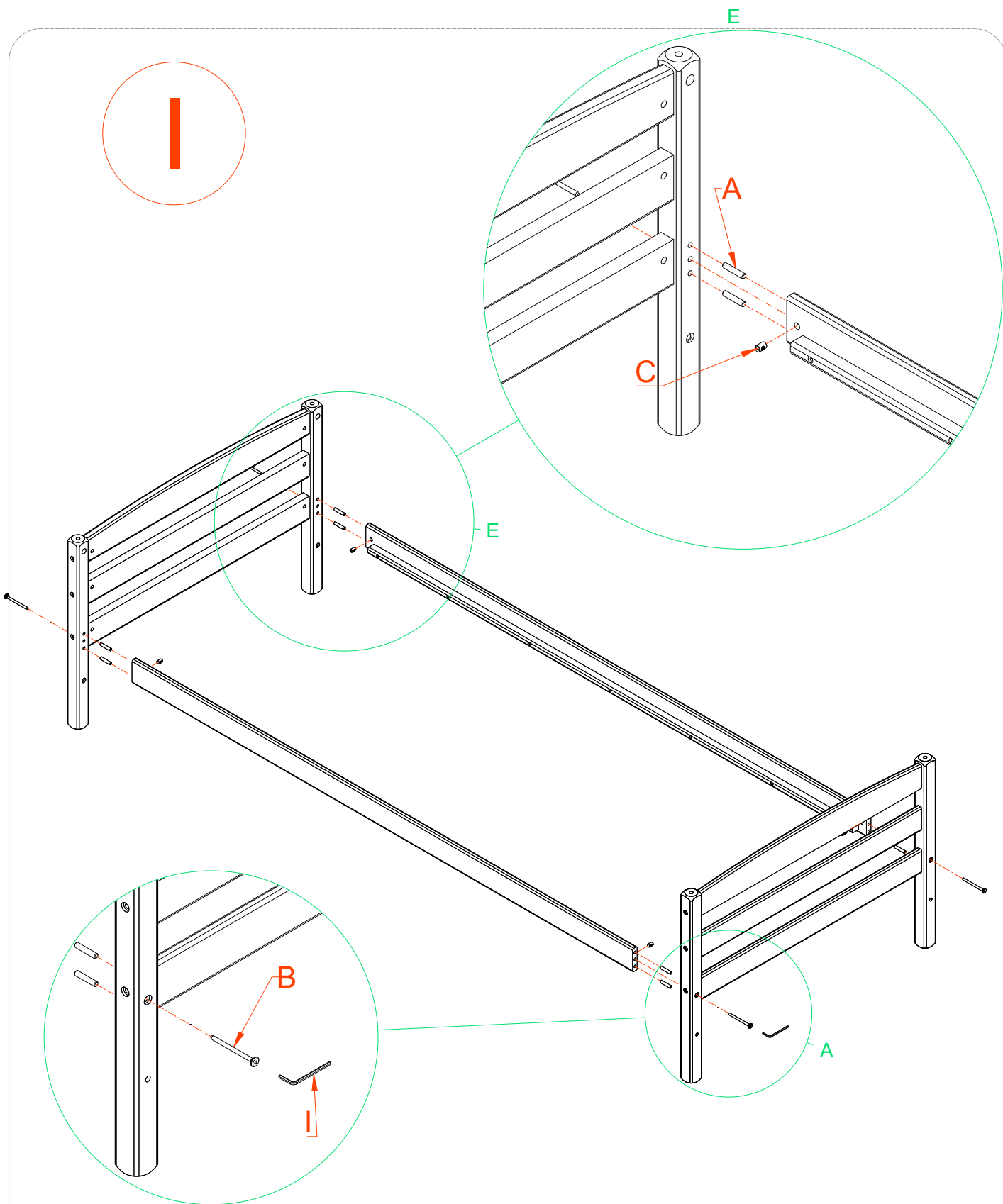


K -M6x30 8 pcs



DESIGN ART



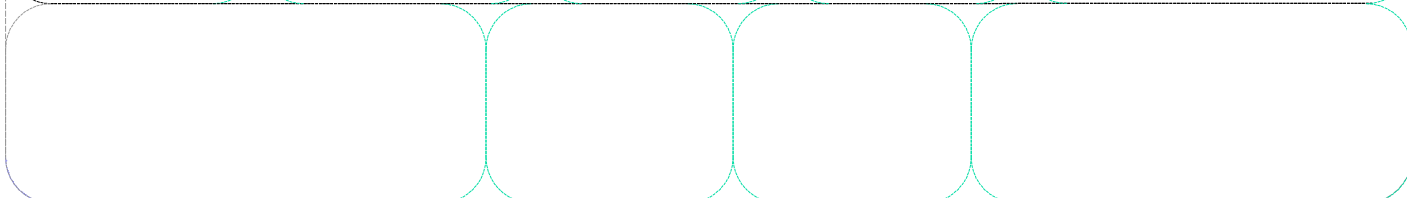
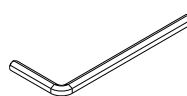
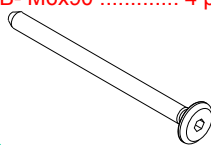
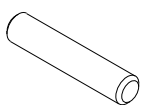


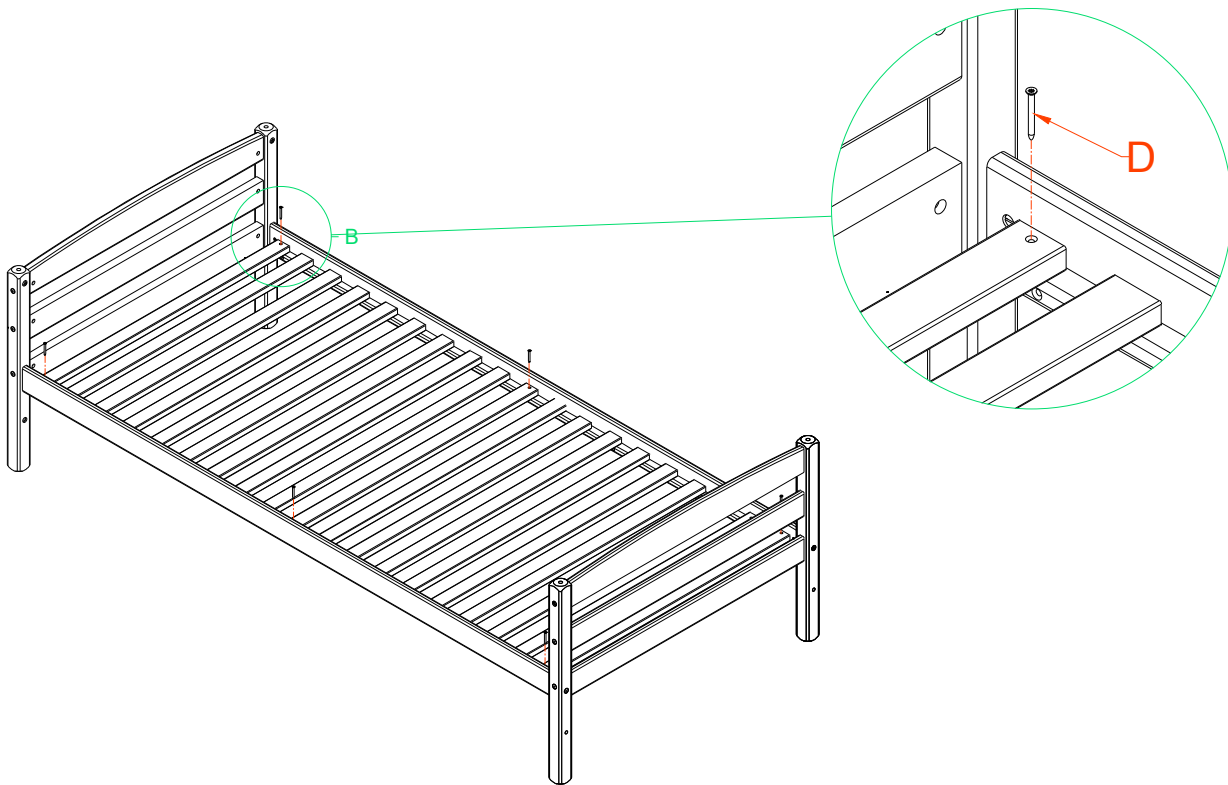
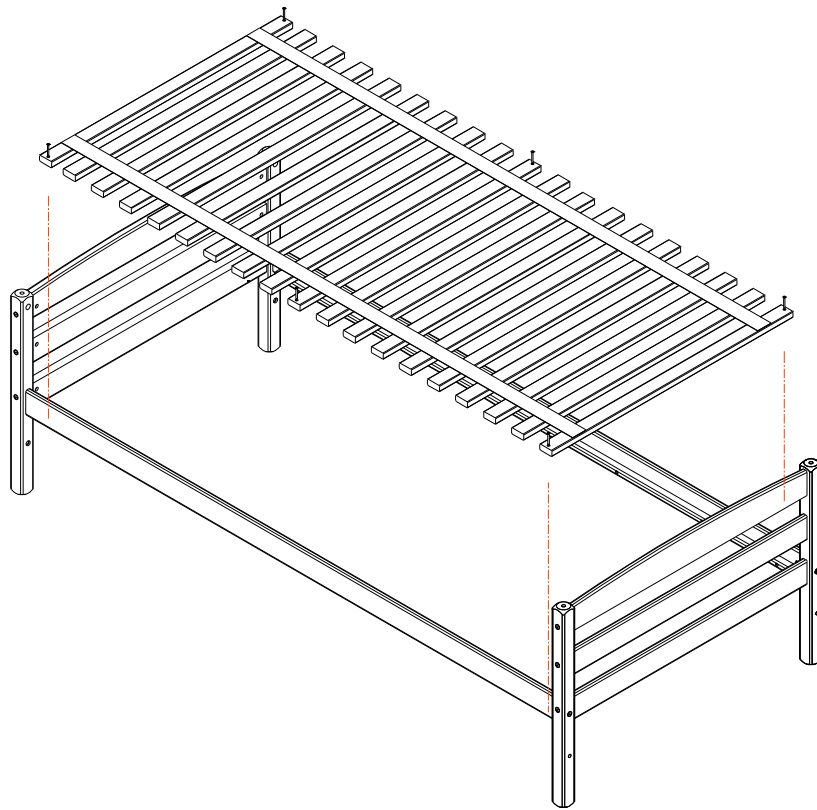
A- Ø8x30..... 8 pcs

B- M6x90 4 pcs

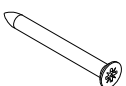
C - Ø10x14 4 pcs

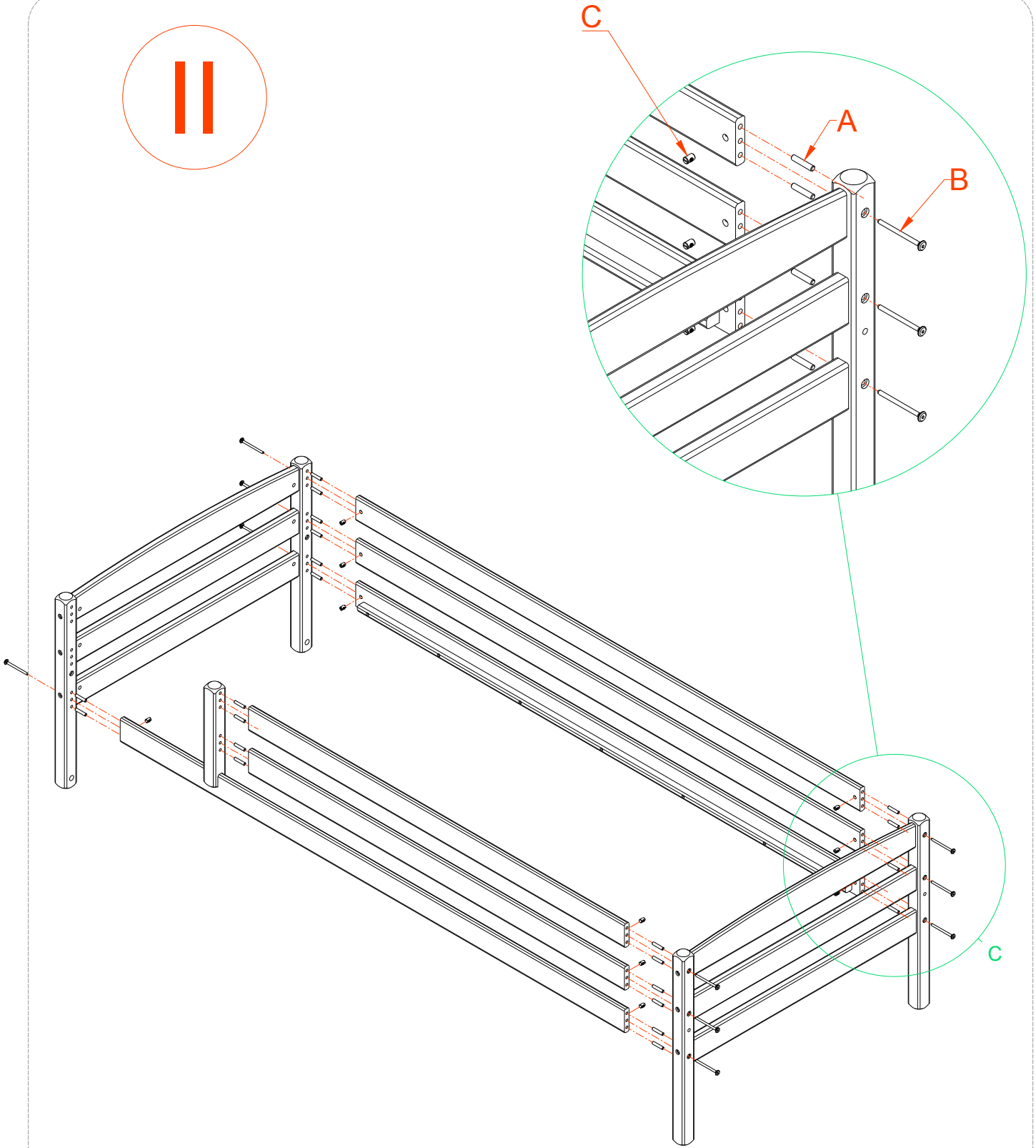
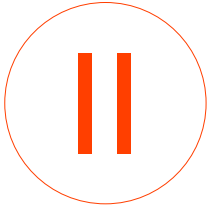
I - SW 4 mm...





D- Ø4x35..... 6 pcs



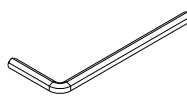
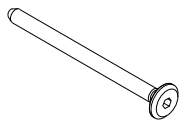
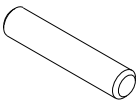


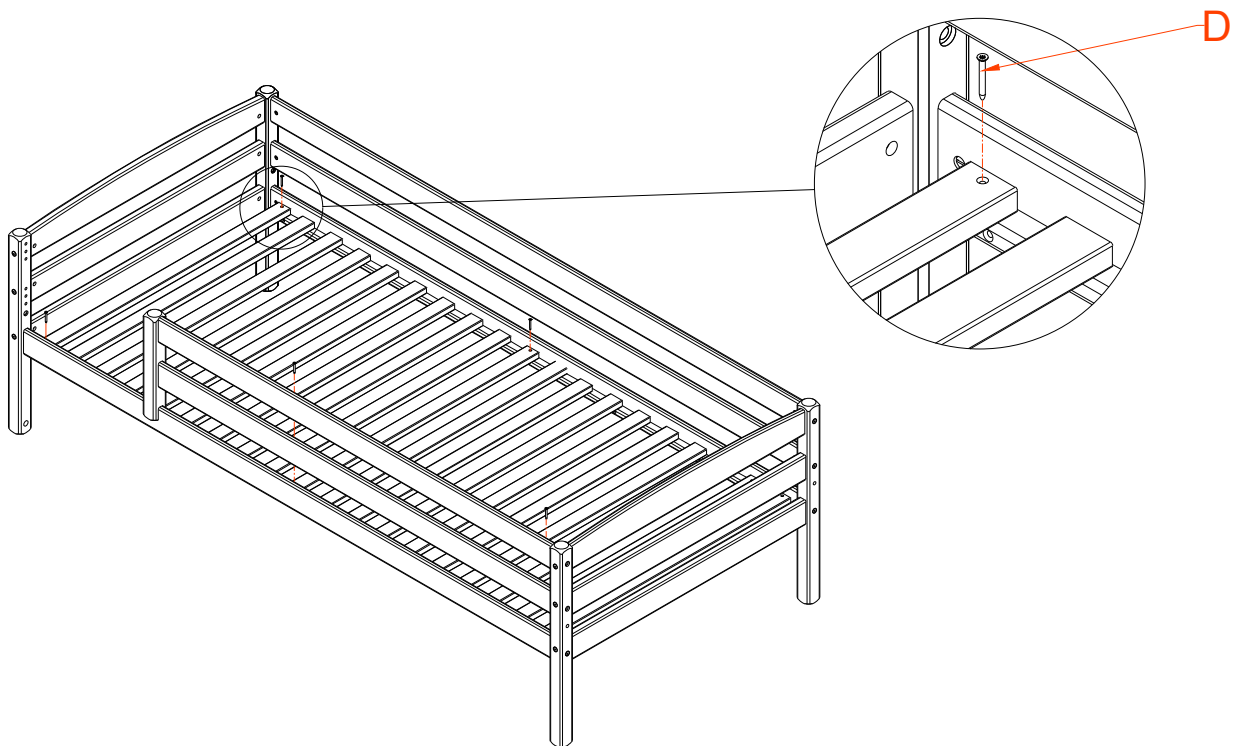
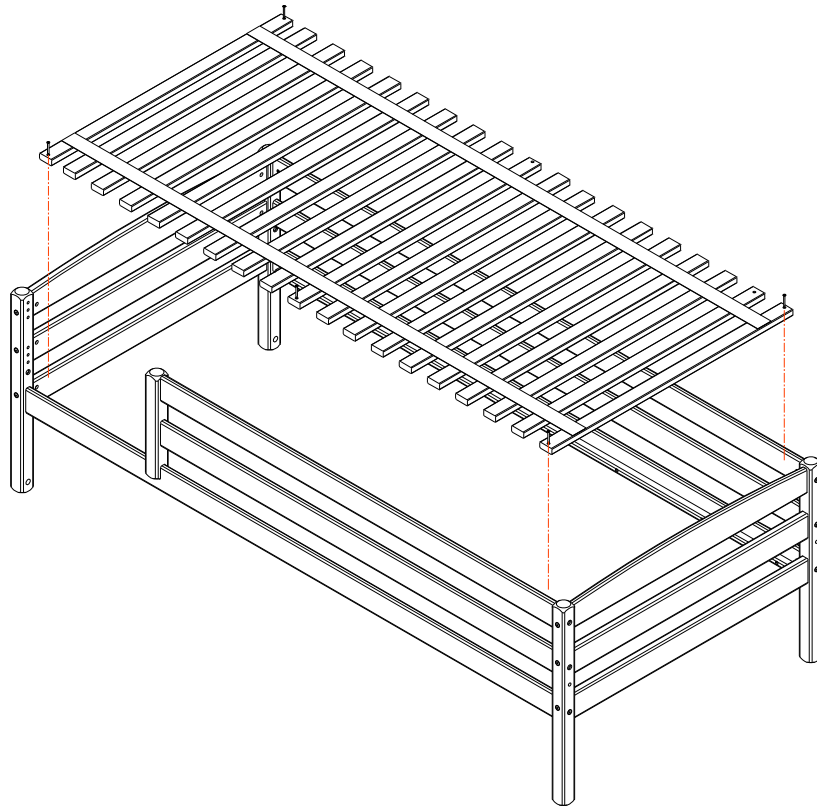
A- Ø8x30..... 24 pcs

B- M6x90 10 pcs

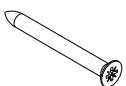
C - Ø10x14 10 pcs

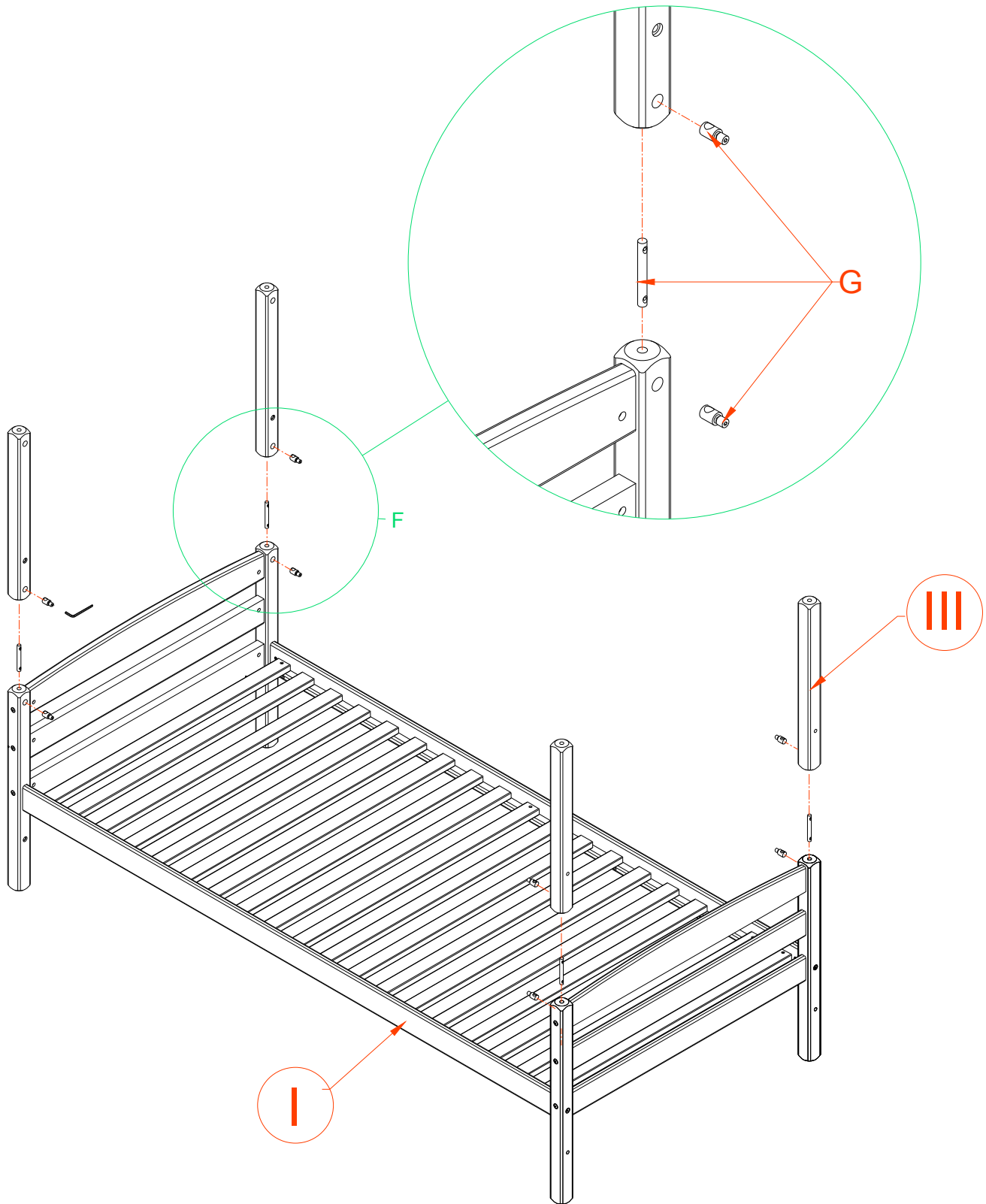
I - SW 4 mm...



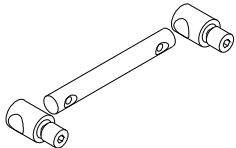


D- Ø4x35..... 6 pcs

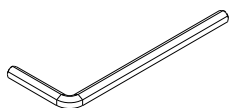


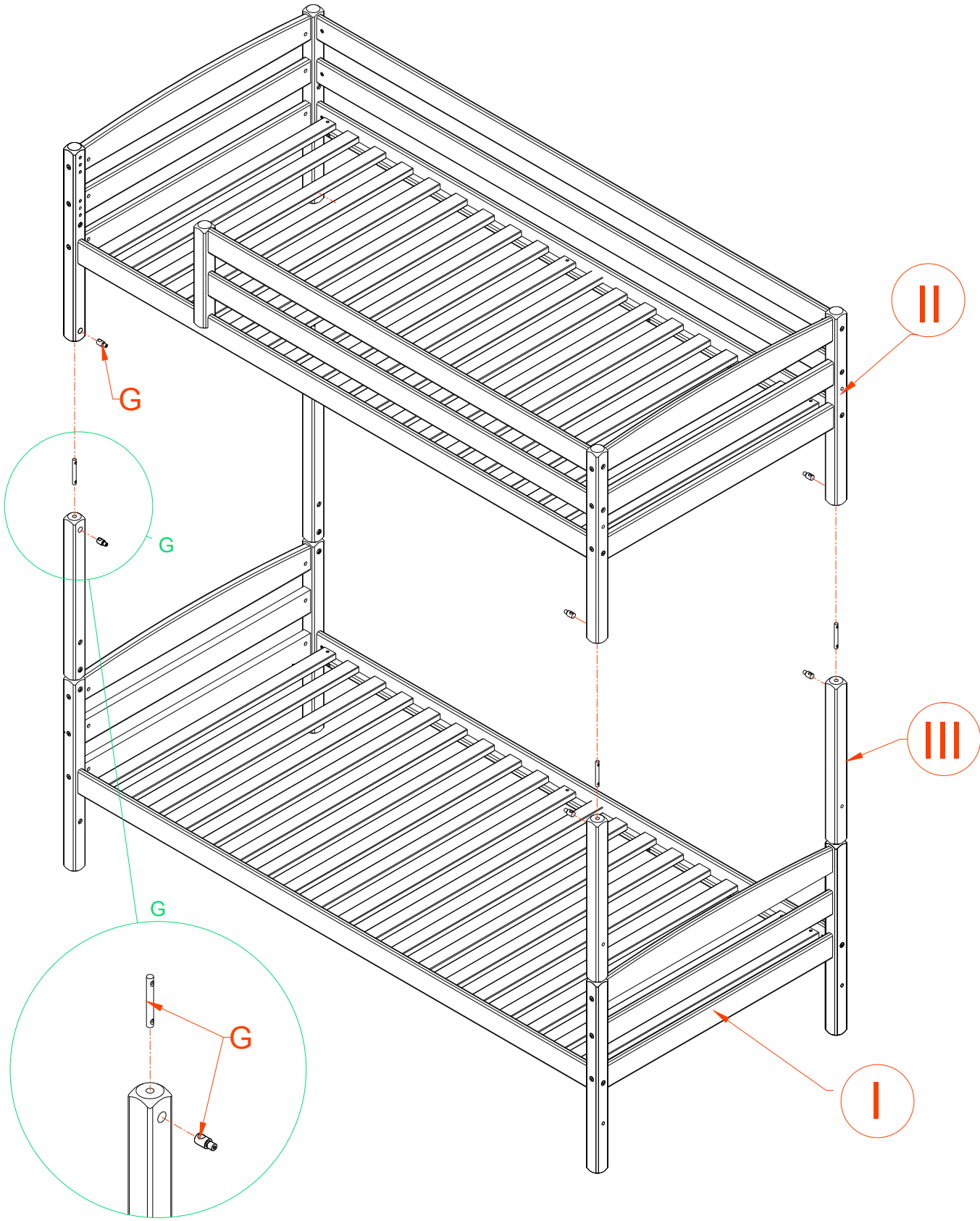


G-(Ø10x82+Ø15x19+M10x12).....4 sets

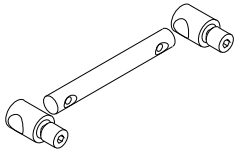


J - SW 5 mm...

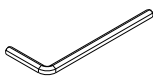


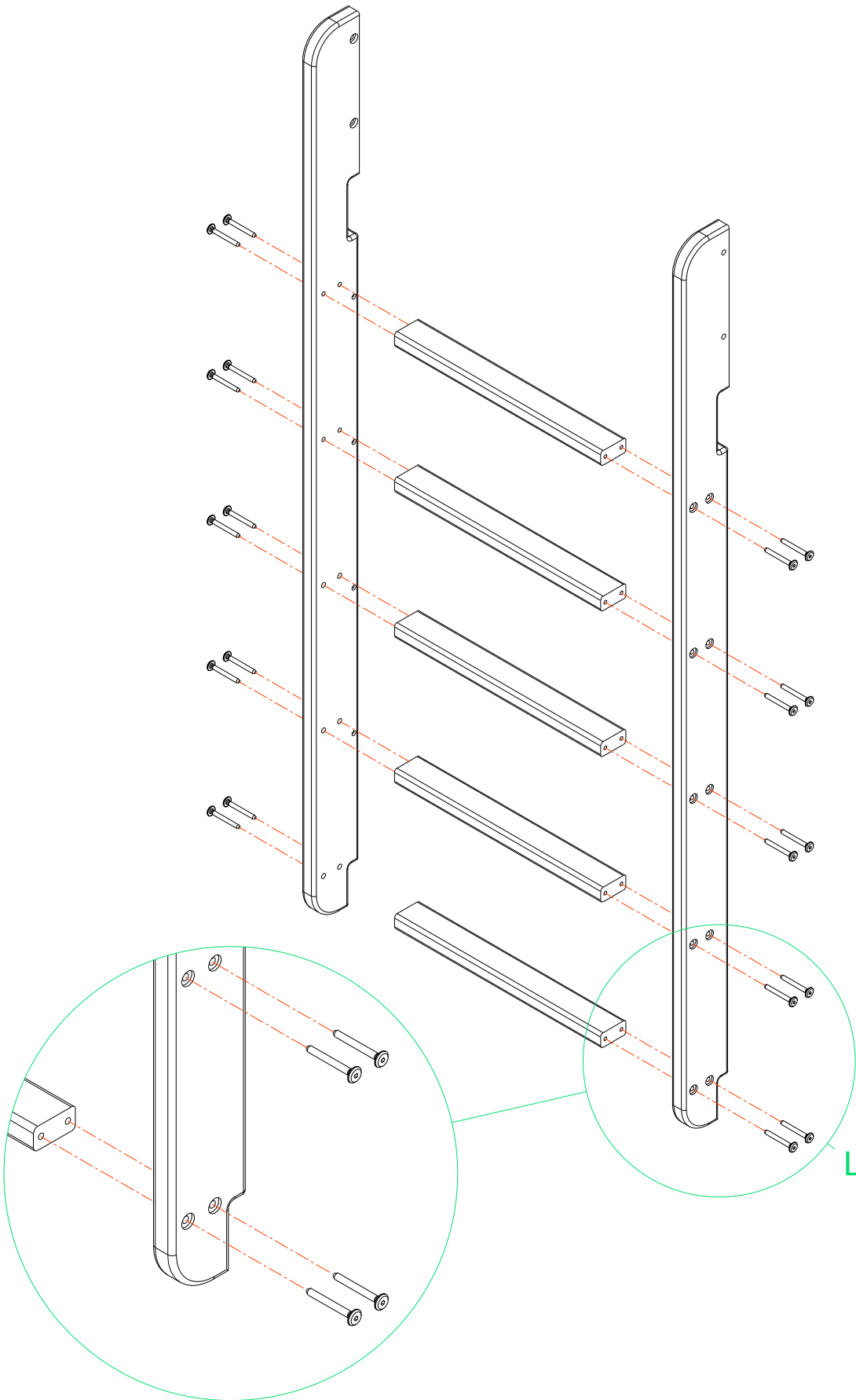


G-($\text{Ø}10 \times 82 + \text{Ø}15 \times 19 + \text{M}10 \times 12$).....4 sets

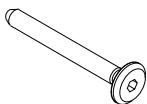


J - SW 5 mm...

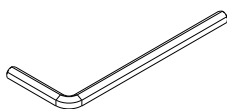




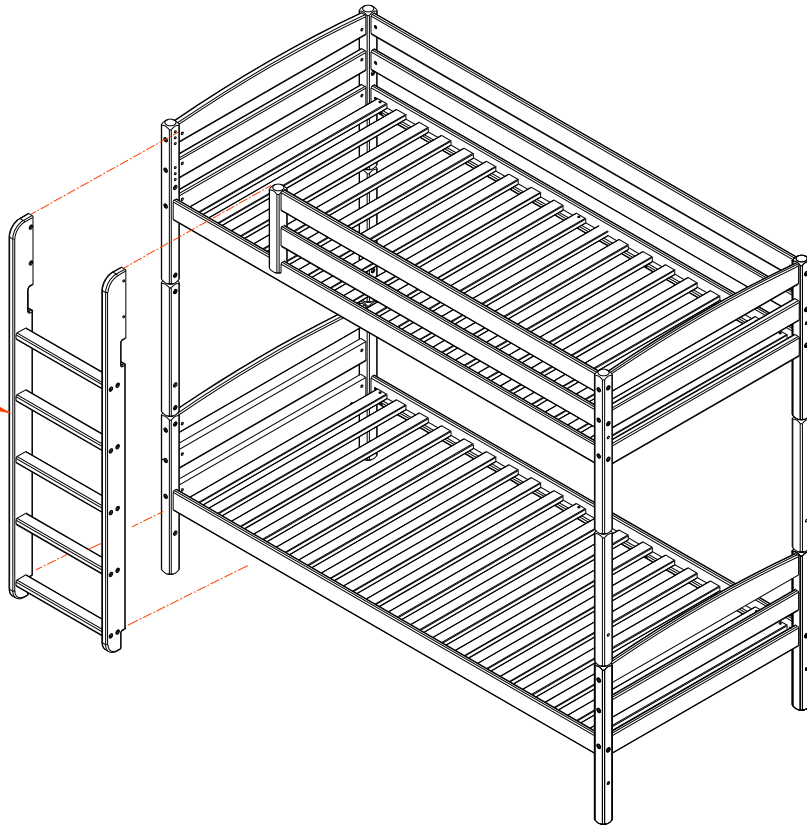
L - Ø7x6020 pcs
Confirmat



I - SW 4 mm... 1 pcs



IV



E

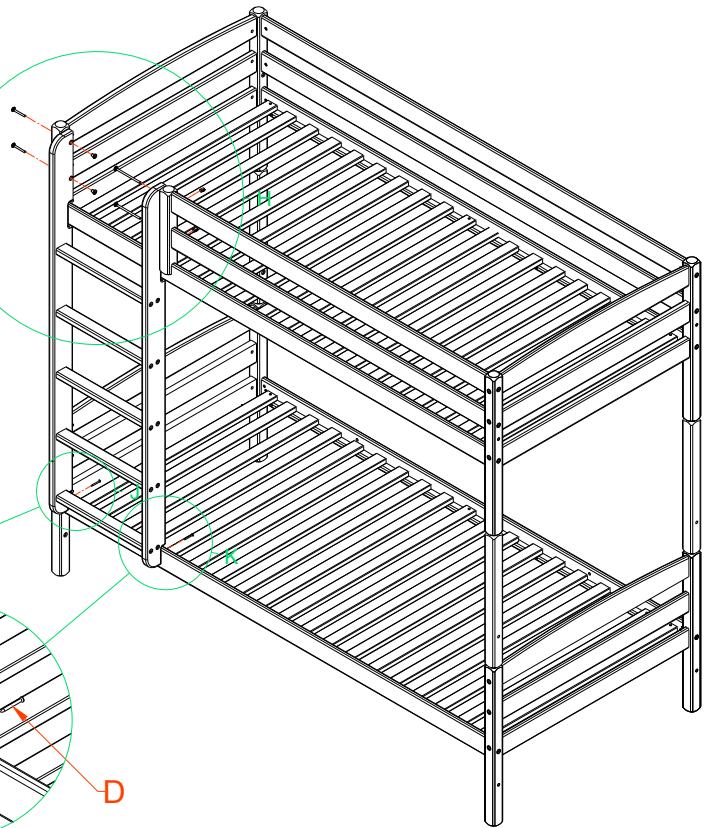
F

H

C

D

D



E- M6x60 2 pcs

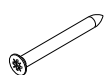
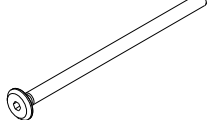
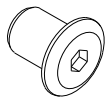
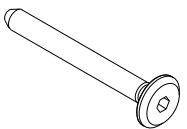
H- M6..... 2 pcs

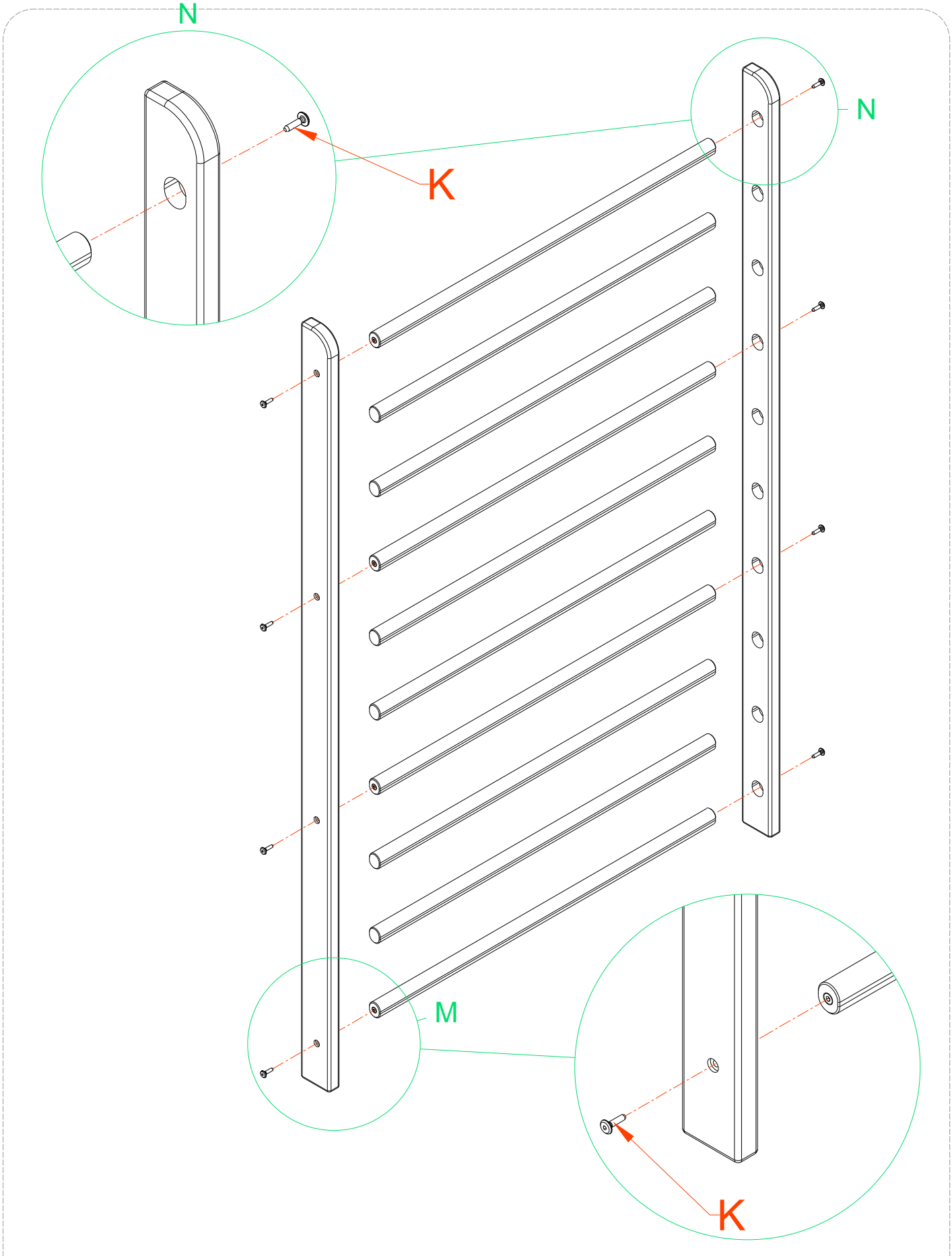
F -M6x120 2 pcs

C - Ø10x14 2 pcs

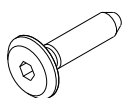
I - SW 4 mm...

D - Ø4x35 ... 2 pcs

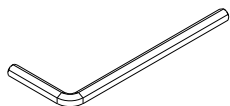


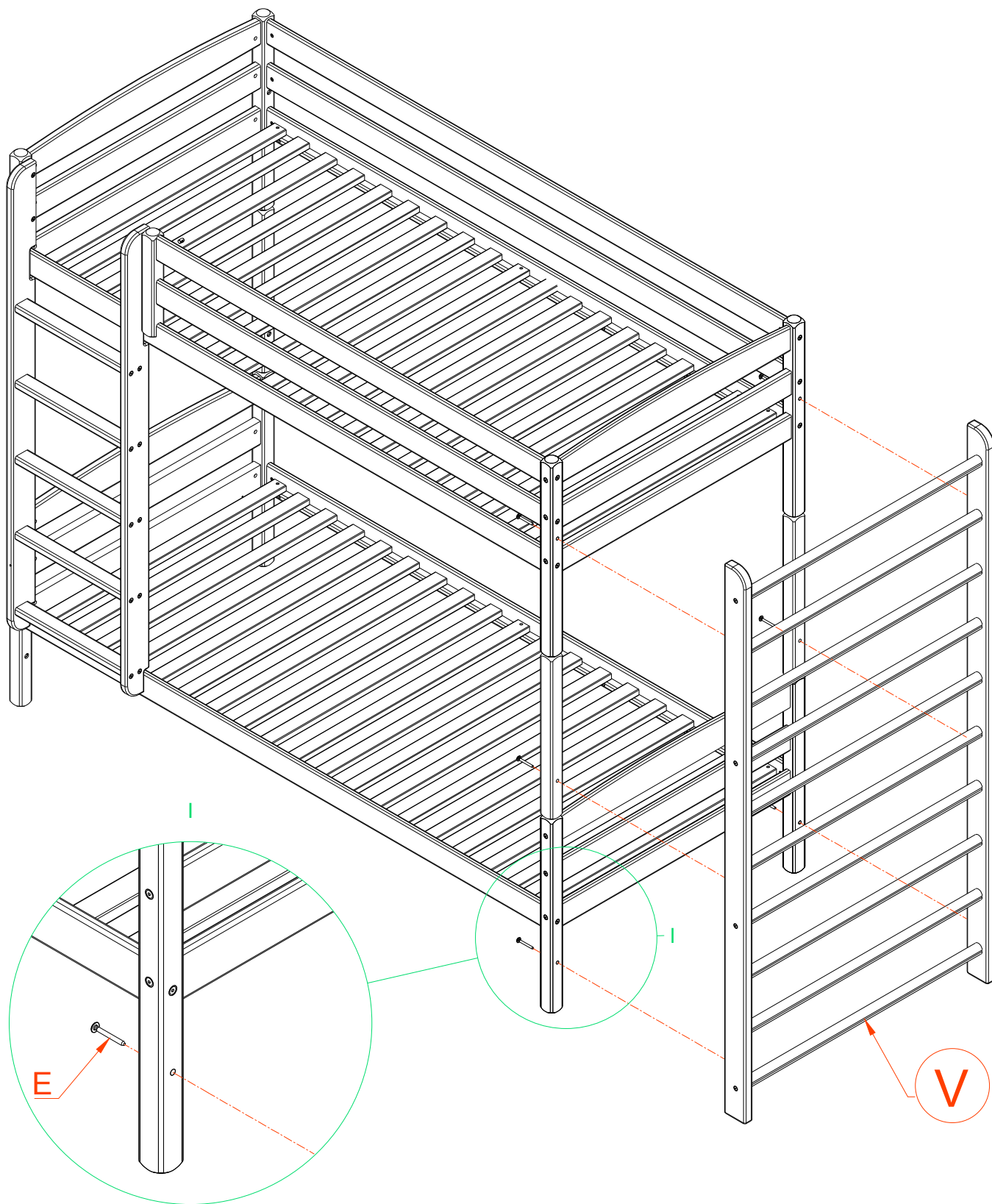


K - M6x308 pcs

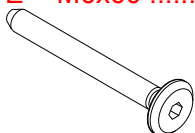


I - SW 4 mm... 1 pcs

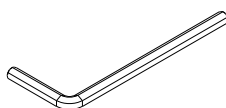




E - M6x606 pcs



I - SW 4 mm...



DESIGN ART

