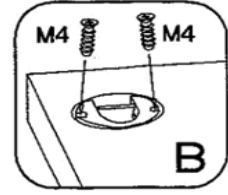
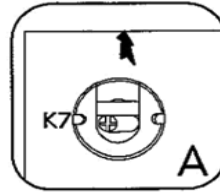
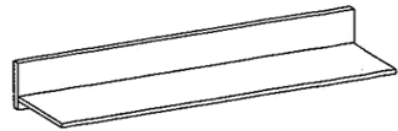
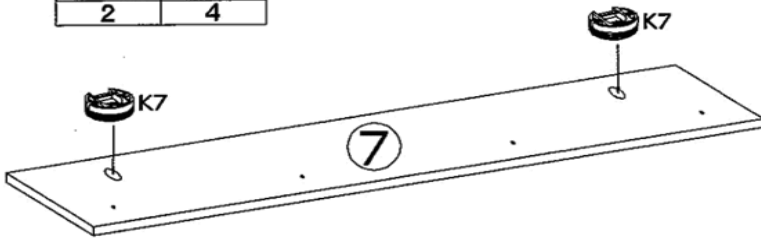
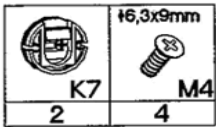
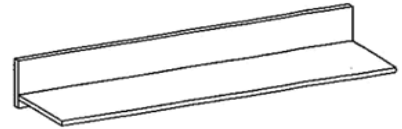
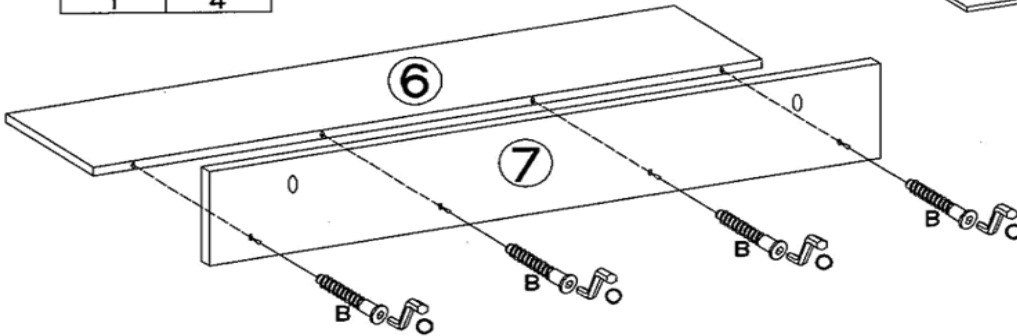
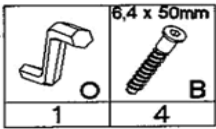
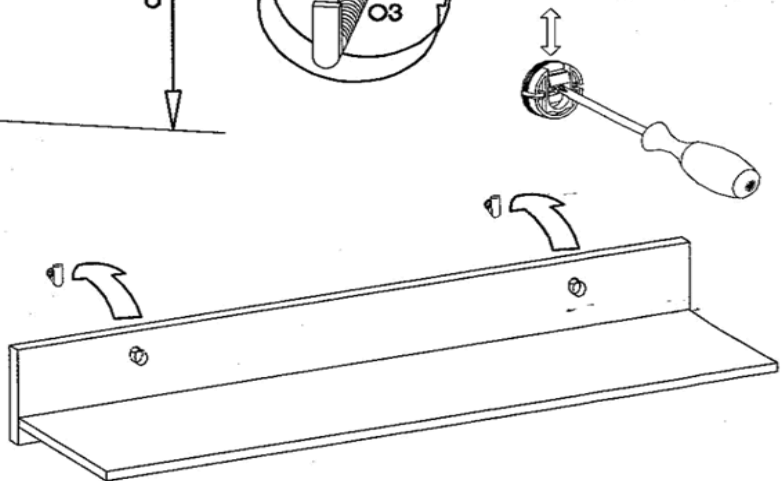
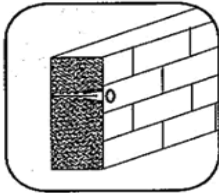
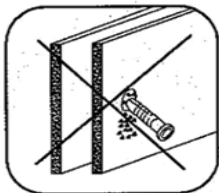
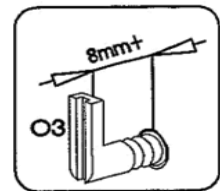
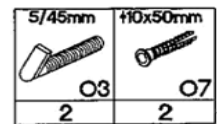
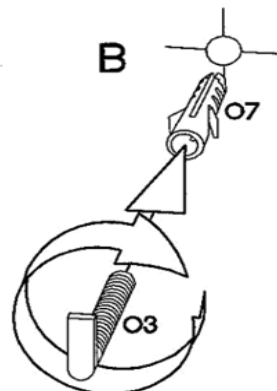
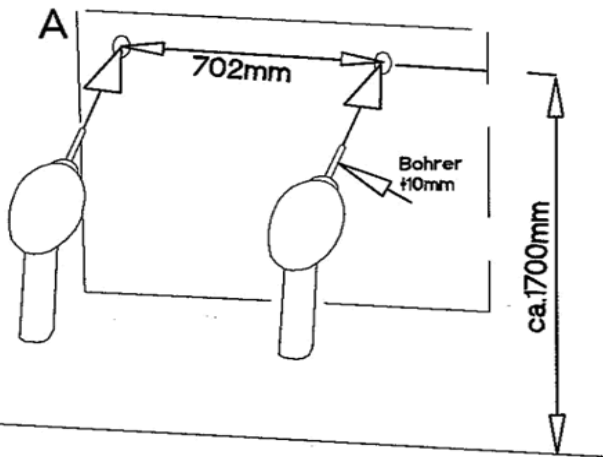







3B										
	2	4	1	4	2	2	16	16	16	6

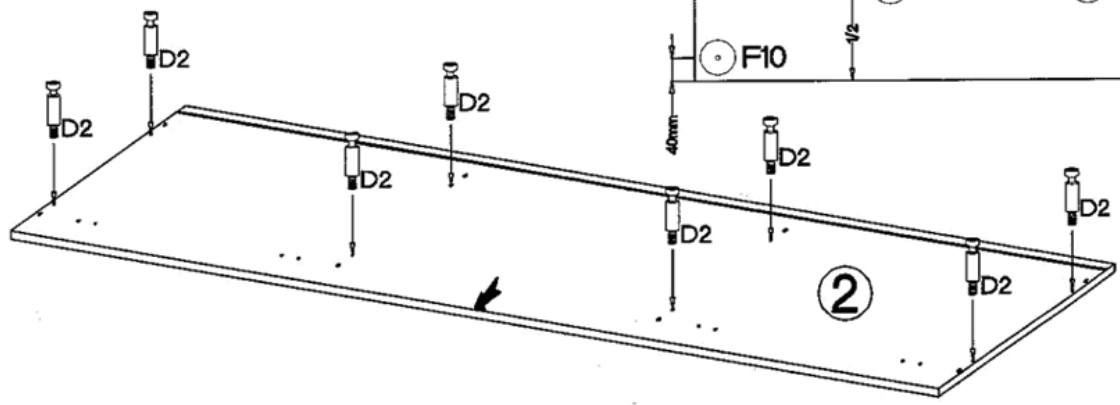
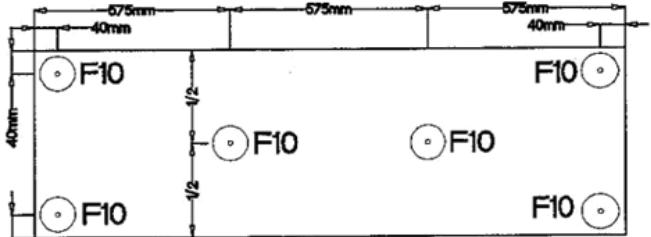
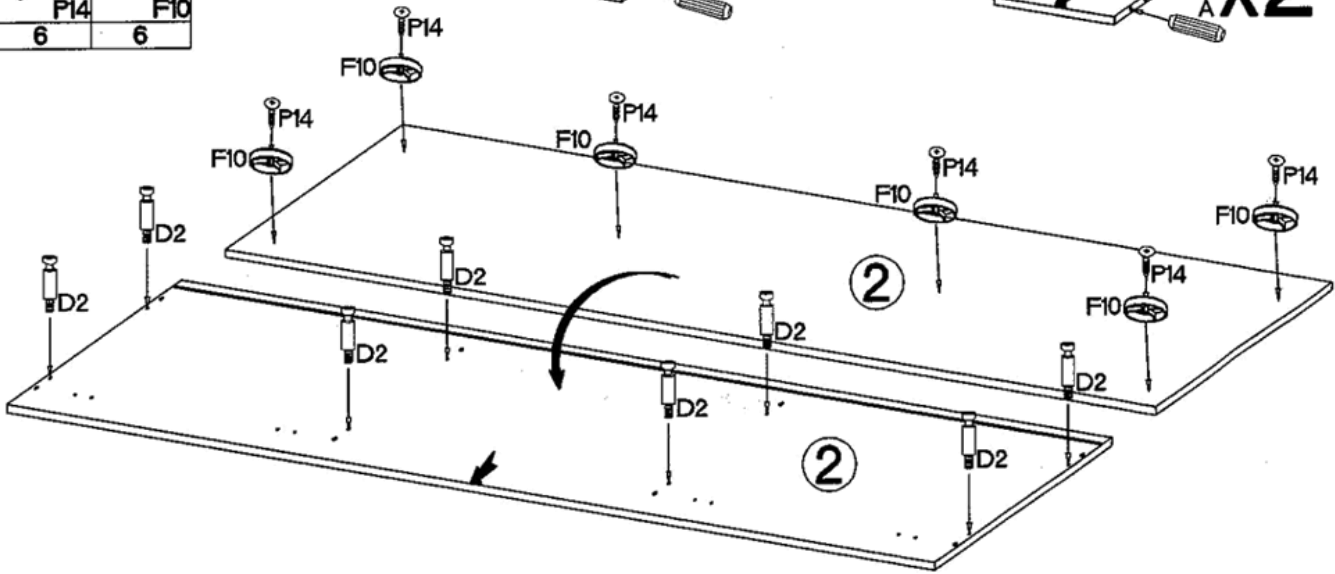
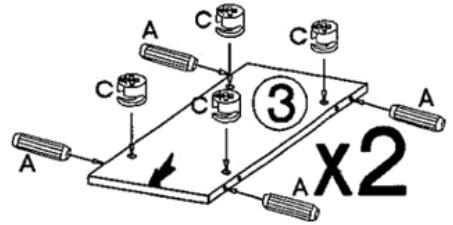
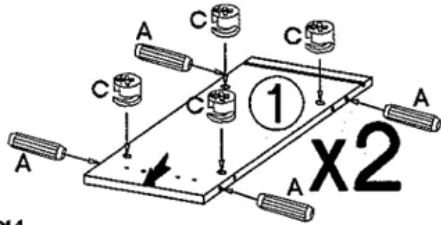
6	6	2	4	16	10	4

1**2****3**

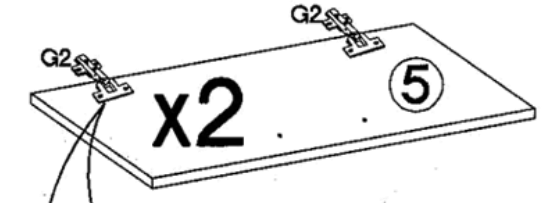
4





		
C	A	D2
16	16	16

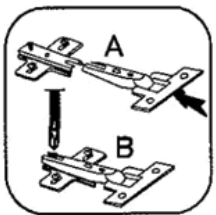
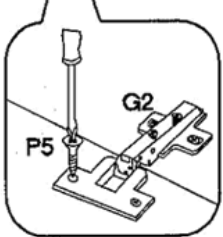
	
P14	F10
6	6

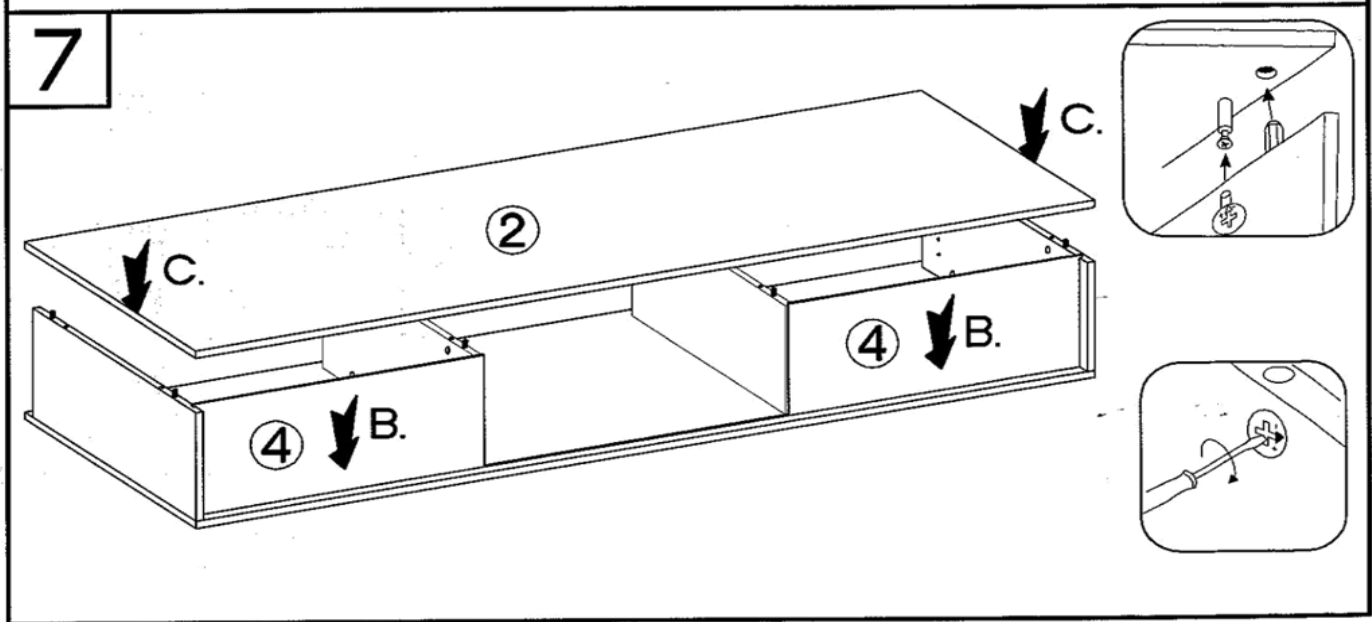
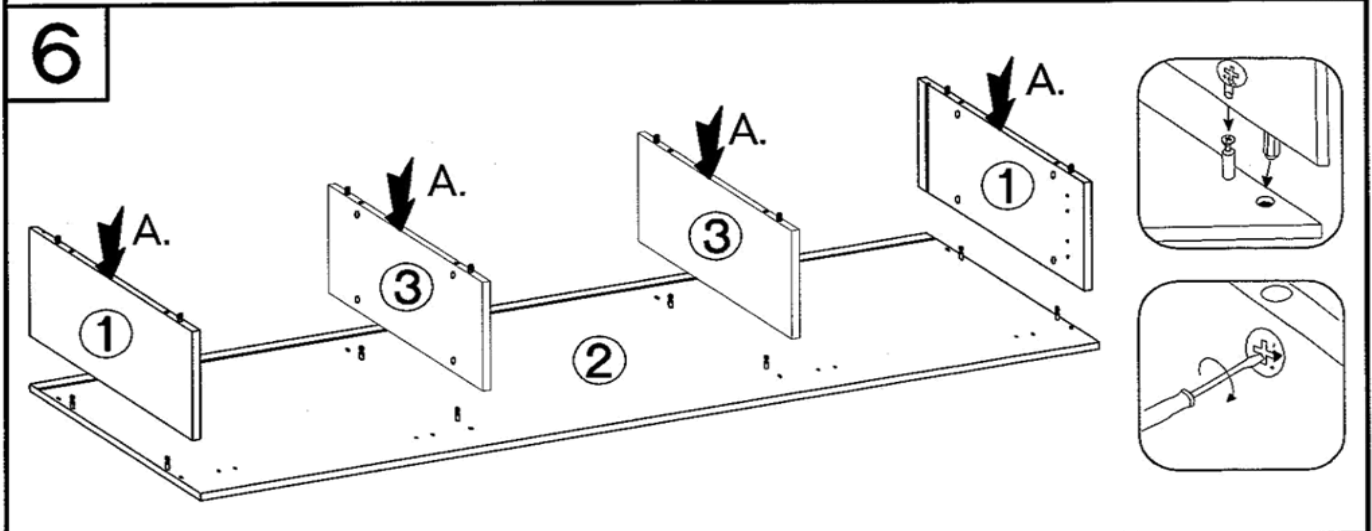
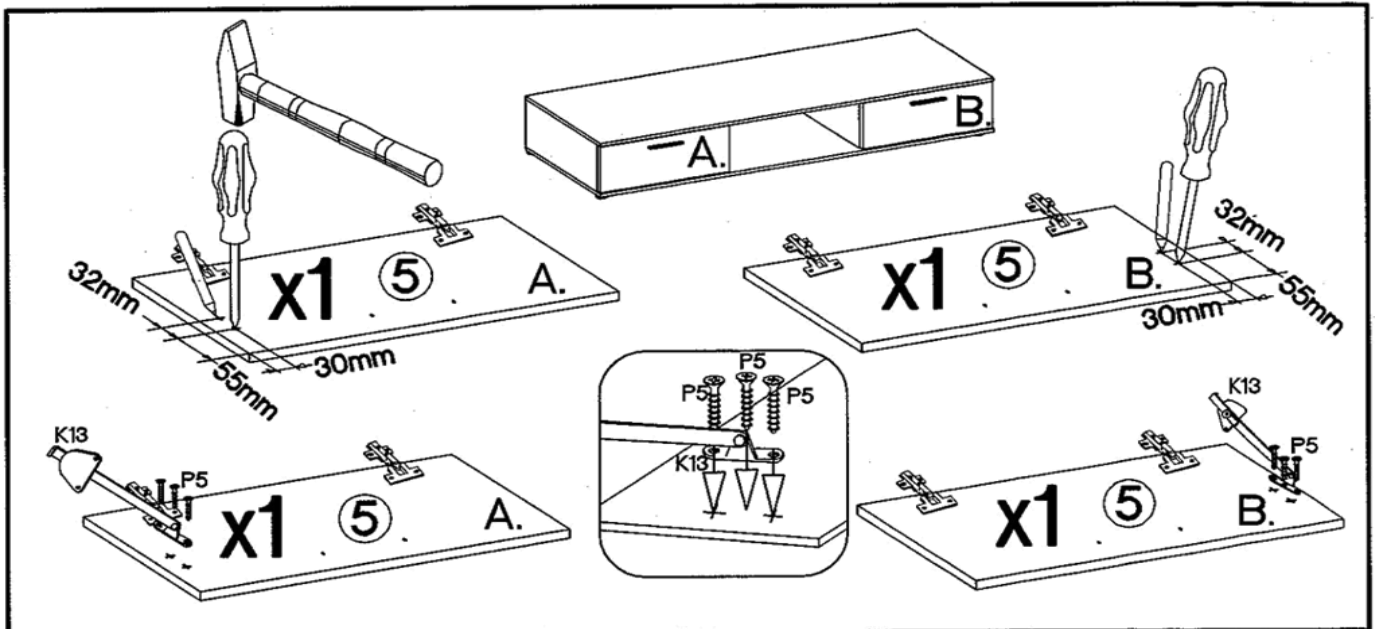


5





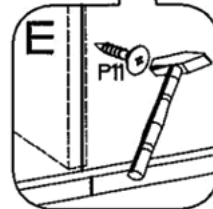
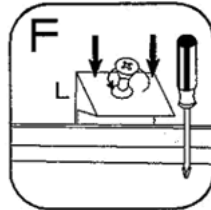
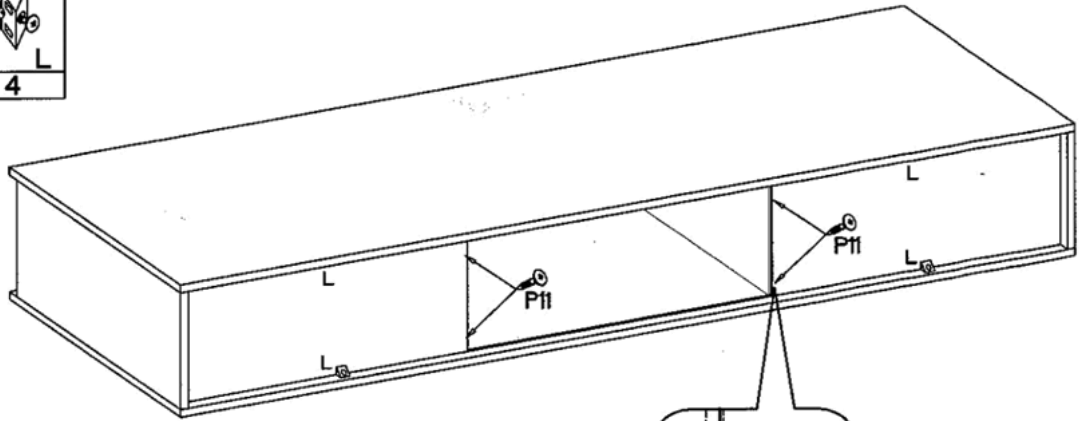
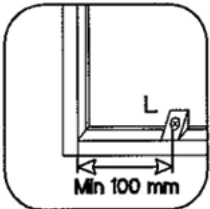
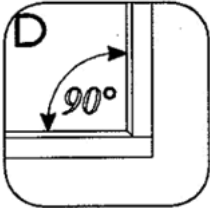
			
H	G2	P5	K13
4	4	14	2










8

	
#3.0x16mm	
P11	L
4	4



9

				
#3.0x16mm	#4.0x30mm	L=128mm		
E	P11	R2	S11	J5
16	6	4	2	4

