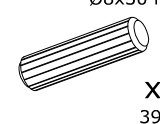
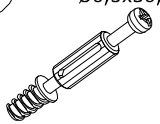
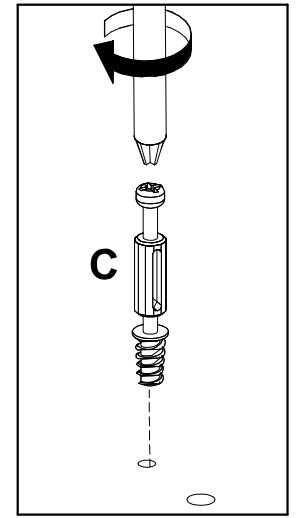
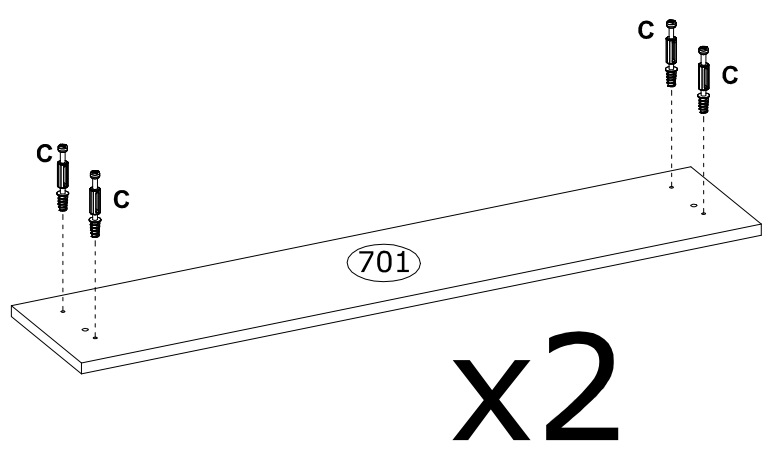
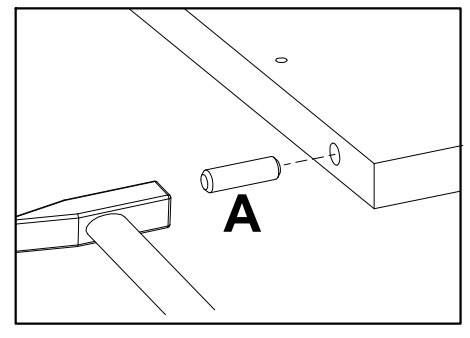
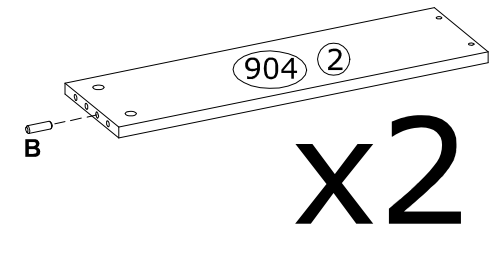
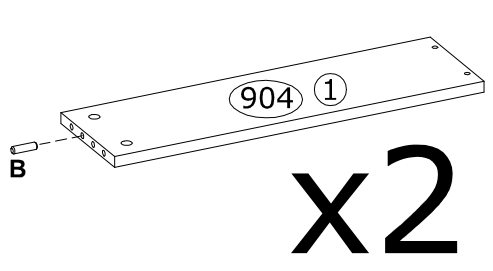
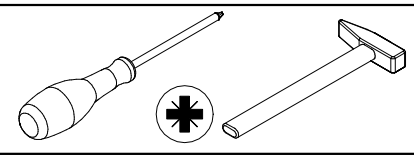


22


<p>B</p> <p>Ø8x30 mm</p>  <p>x4 3989</p>	<p>C</p> <p>Ø6,5x36,5 mm</p>  <p>x8 4066</p>
---	---



23

K

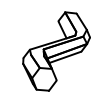
Ø6,4x50 mm



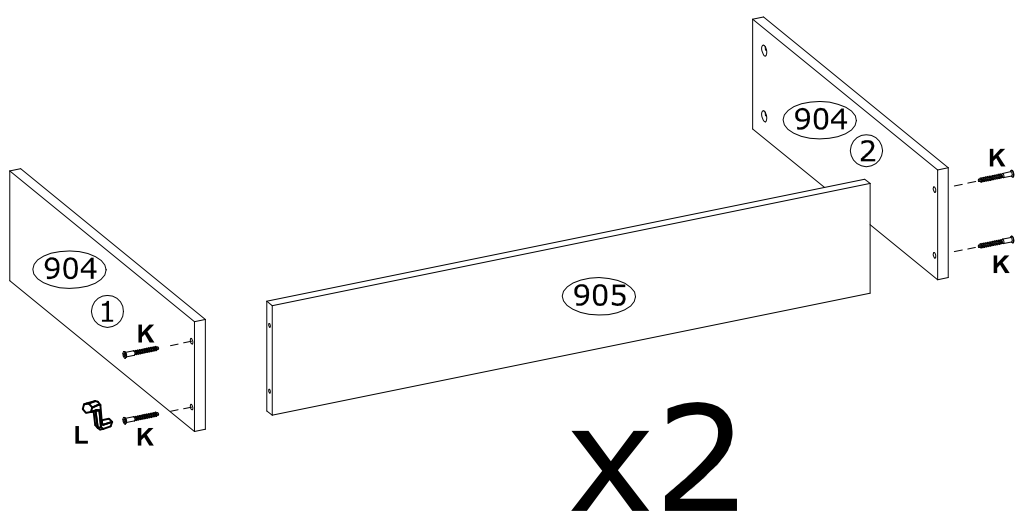
x8
3884

L


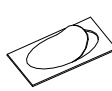
4 mm

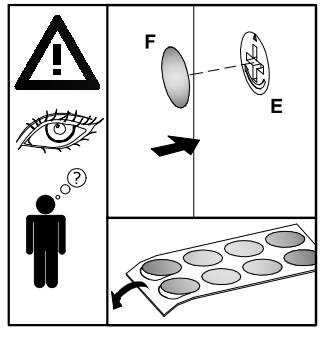
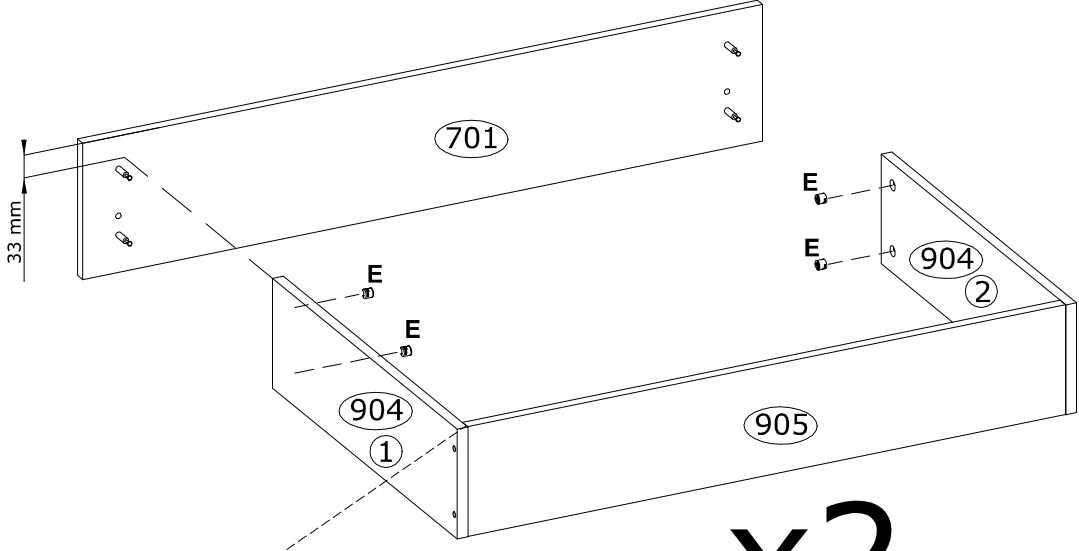
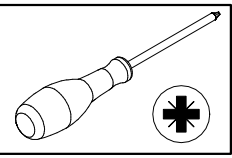


x1
3984

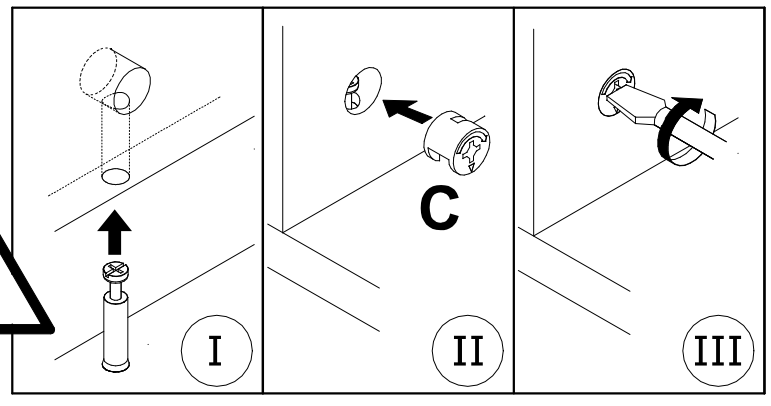
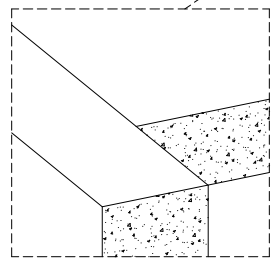


24


<p>E</p> <p>Ø15x12 mm</p>  <p>x8</p> <p>3996</p>	<p>F</p> <p>Ø20 mm</p>  <p>x8</p> <p>136239</p>
---	--

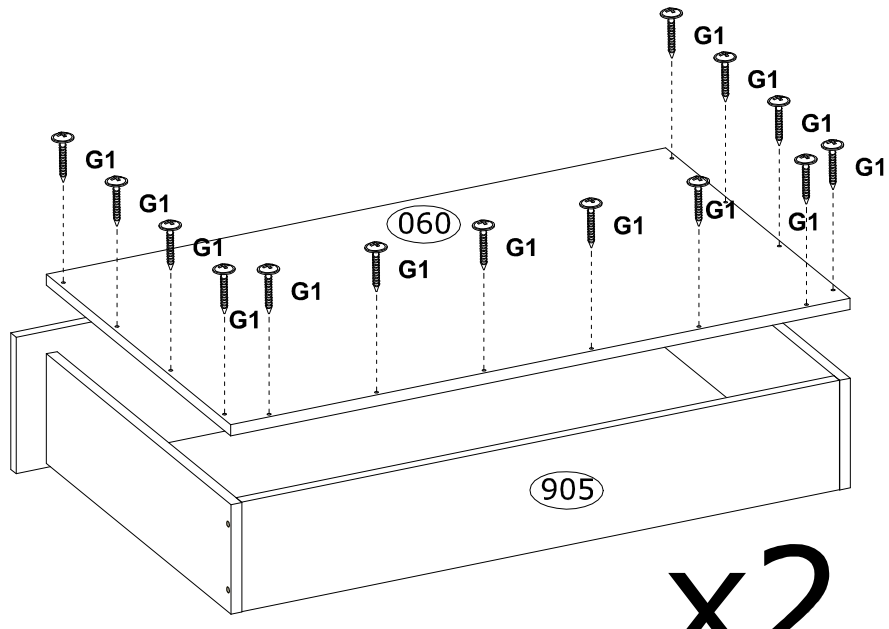
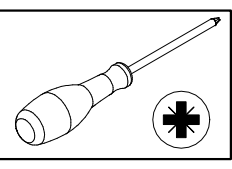


x2



25

<p>G1</p> <p>Ø4,0x25 mm</p>  <p>x28</p> <p>3892</p>



x2