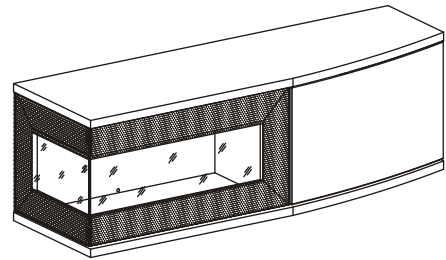
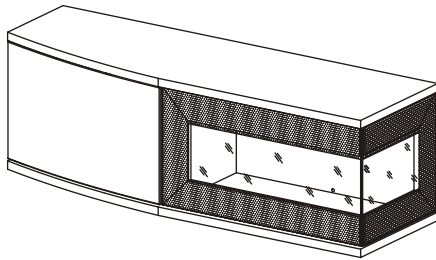
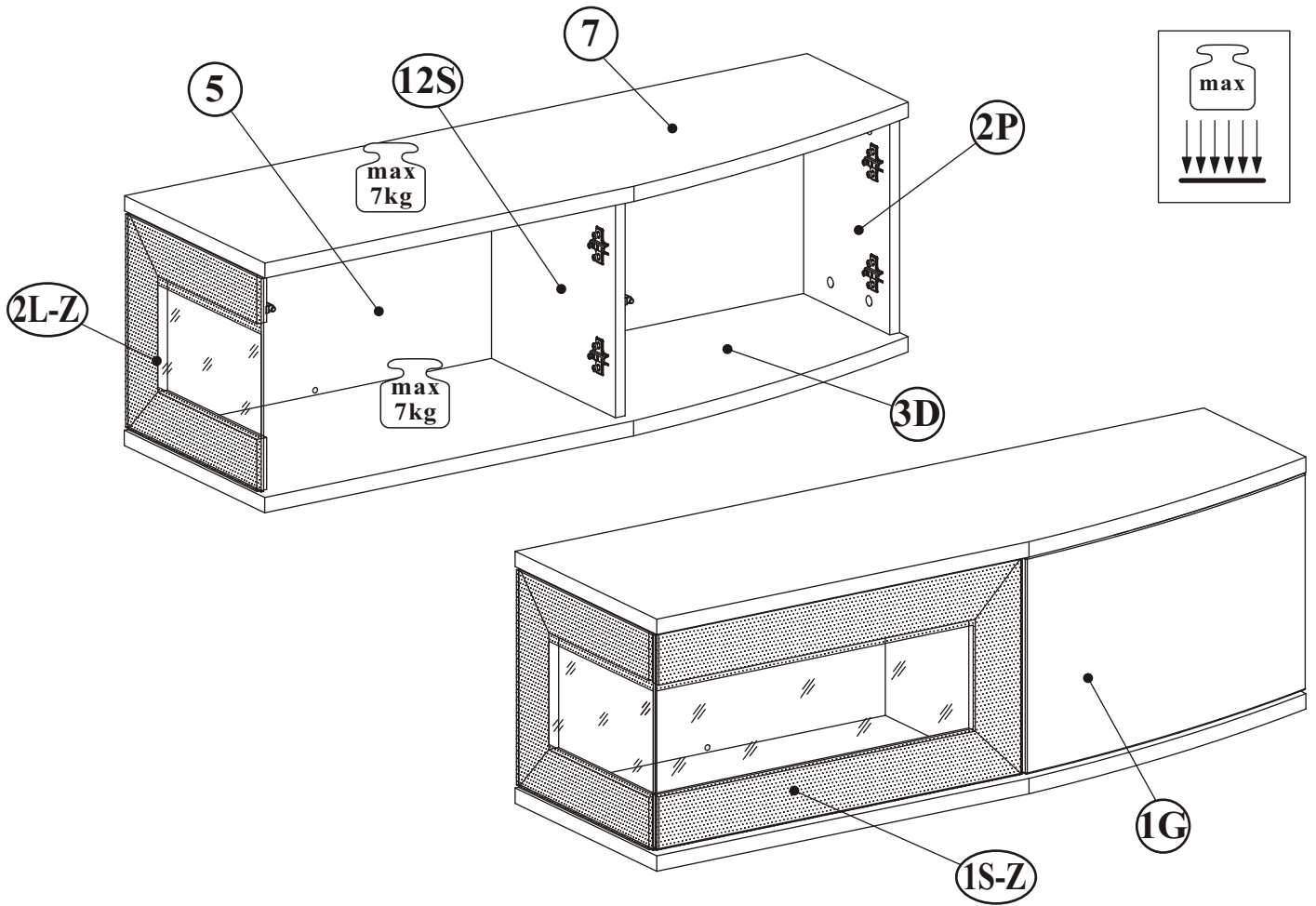
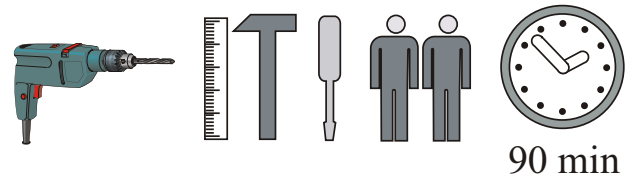


SONIC TYP-20



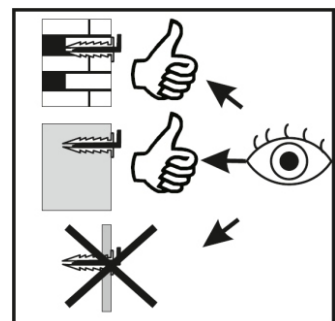
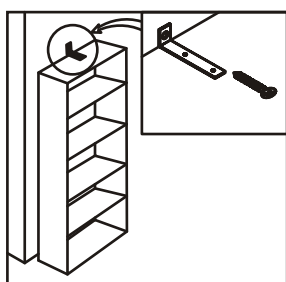
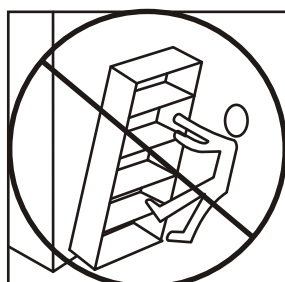
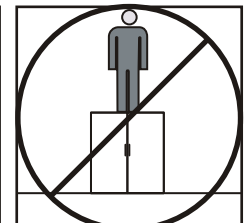
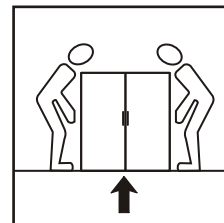
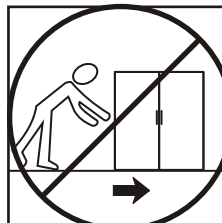
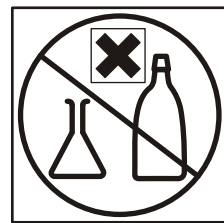
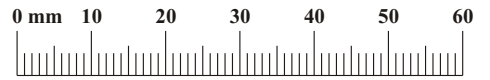
| NO | Dim. | | Col.-No | Qty |
|------|------|-----|---------|-----|
| 1G | 523 | 310 | 1 | 1 |
| 1S-Z | 590 | 310 | 1 | 1 |
| 2L-Z | 339 | 317 | 1 | 1 |
| 12S | 317 | 309 | 1 | 1 |
| 2P | 317 | 231 | 1 | 1 |
| 3D | 1121 | 350 | 1 | 1 |
| 5 | 1083 | 317 | 1 | 1 |
| 7 | 1121 | 350 | 1 | 1 |



90 min

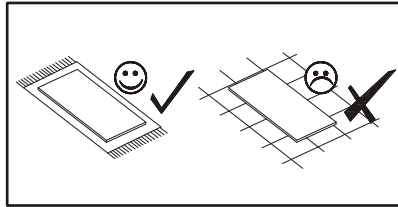
SONIC TYP-20

| | | | | | | | | | | | |
|--------------------|--|-------------------------|--|-------------------------|--|--------------------|--|-------------------|--|-------------------------|--|
| ZM1 x3 | | KR2 x3 | | D20 x6 ESØ6,3x9,5 | | A1 x20 Ø8x36 | | B4 x12 | | B5 x12 ø15x12 | |
| G5 x12 | | E21 x2 Ø35 H=0 | | E23 x2 Ø35 H=8 | | E2 x4 H=0 | | T2 x2 20x14 | | D10 x12 USØ3,5x13 | |
| B11 x1 Ø7x50 | | G4 x1 | | Z4 x1 Ø8 | | G2 x1 | | | | | |



SONIC TYP-20

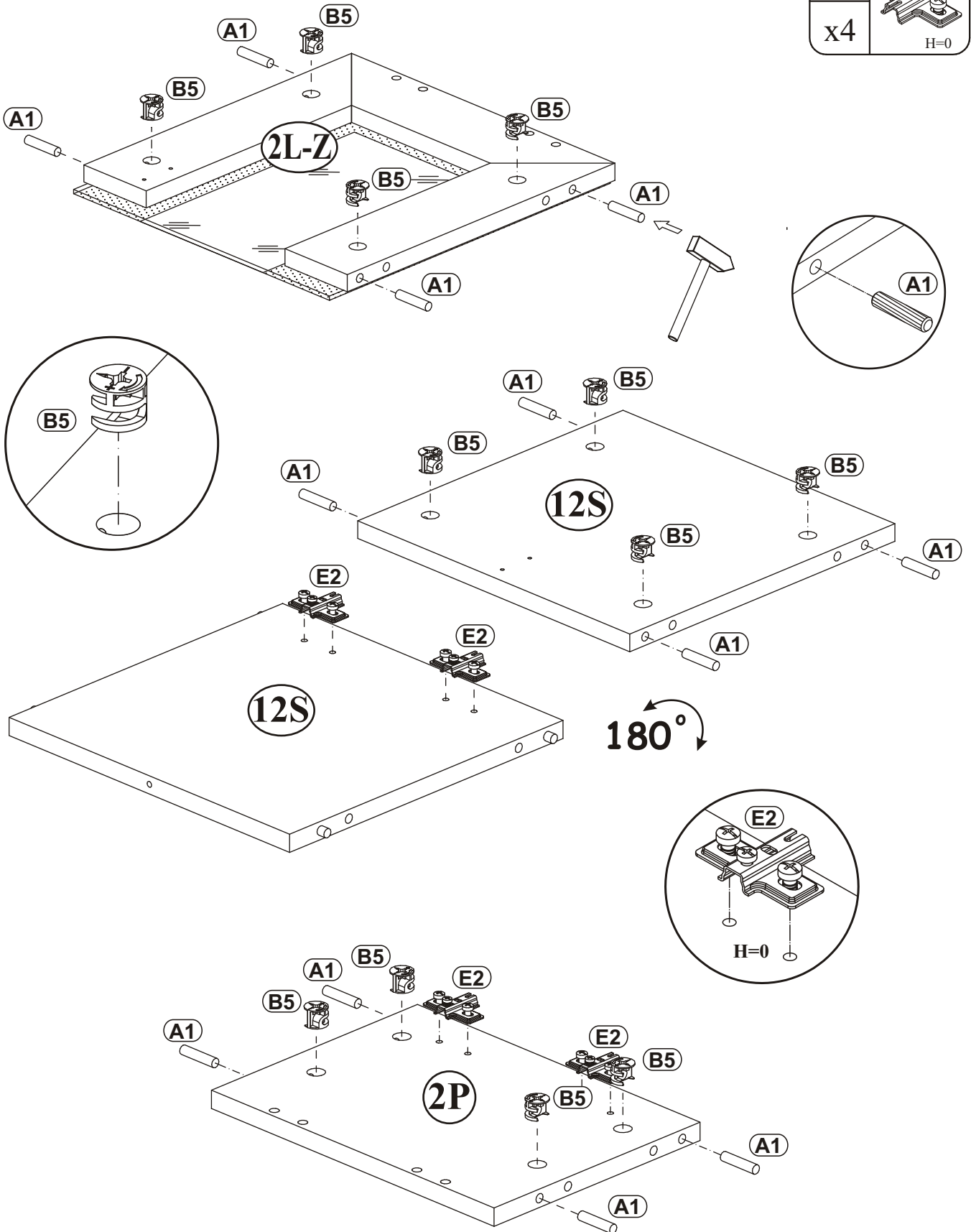
1

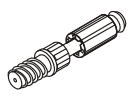


| | |
|-----|--------|
| B5 | |
| x12 | ø15x12 |

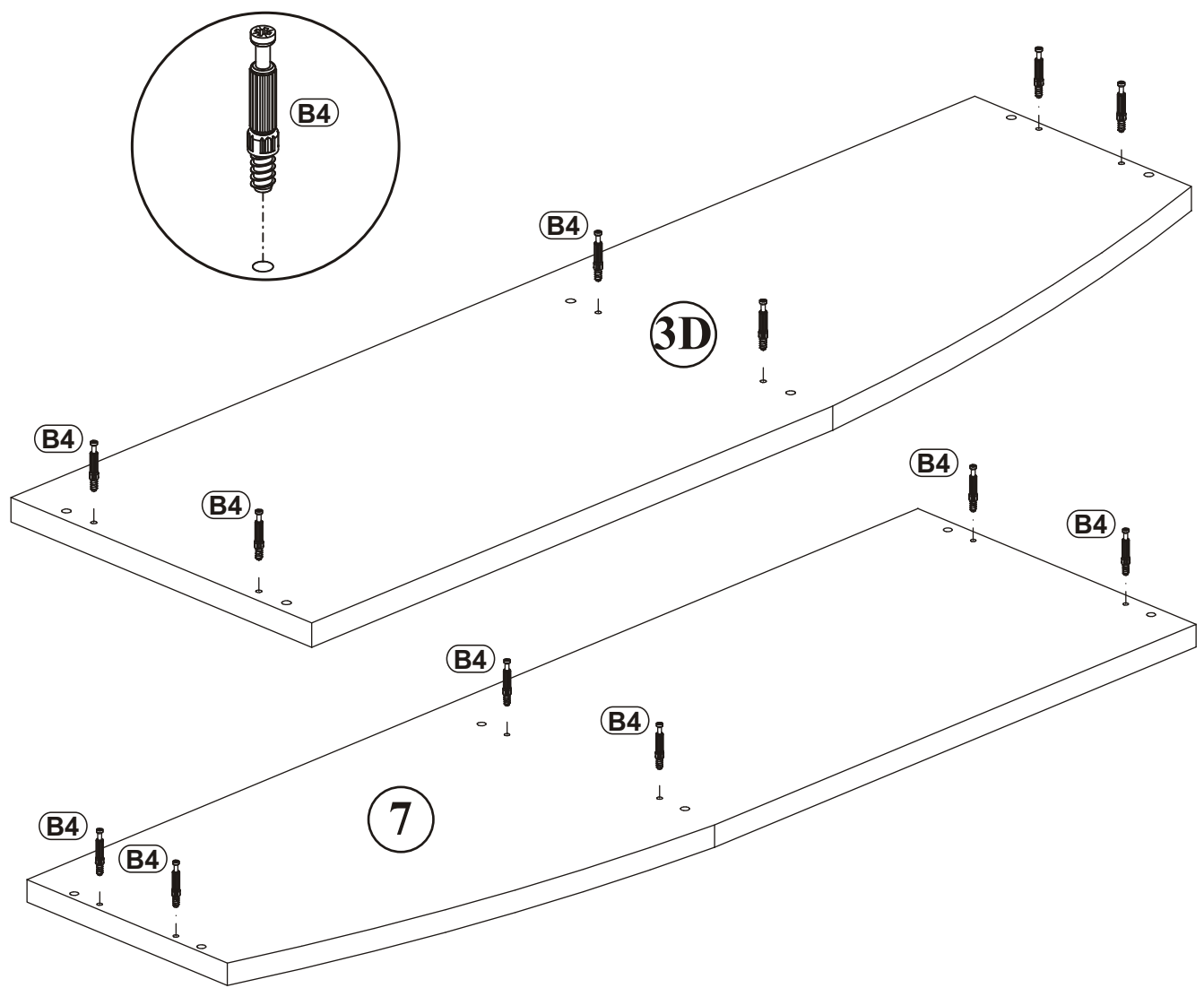
| | |
|-----|-------|
| A1 | |
| x12 | ø8x36 |

| | |
|----|-----|
| E2 | |
| x4 | H=0 |

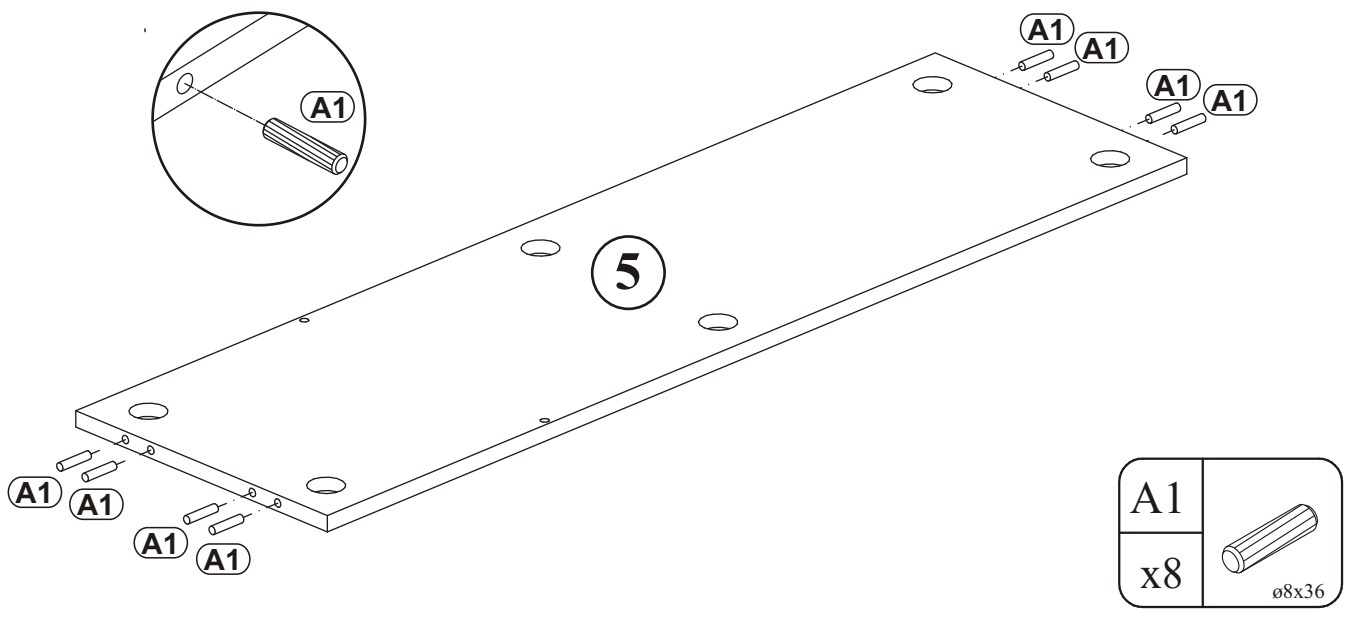


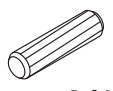
| | |
|-----|---|
| B4 |  |
| x12 | |

2



3

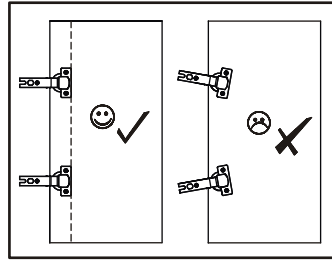



| | |
|----|---|
| A1 |  |
| x8 | |

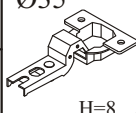
ø8x36

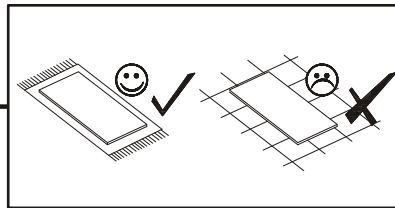
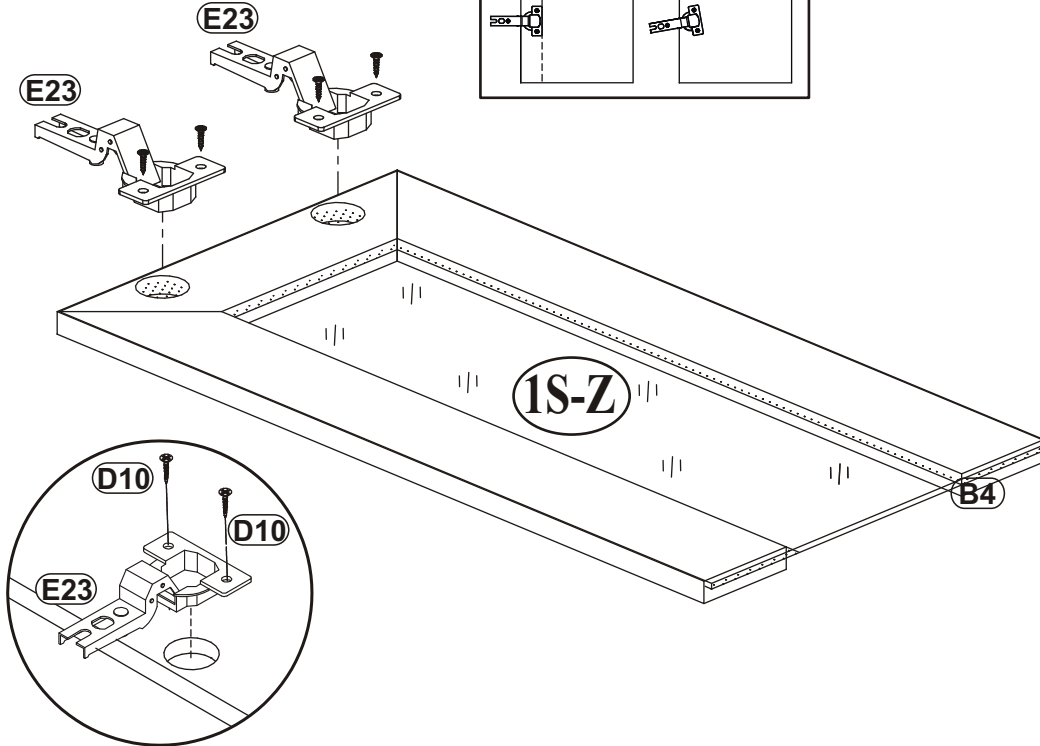
SONIC TYP-20

4

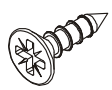


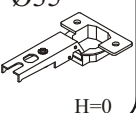
| | |
|-----|---|
| D10 |  |
| x4 | USØ3,5x13 |

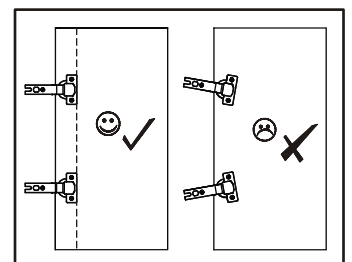
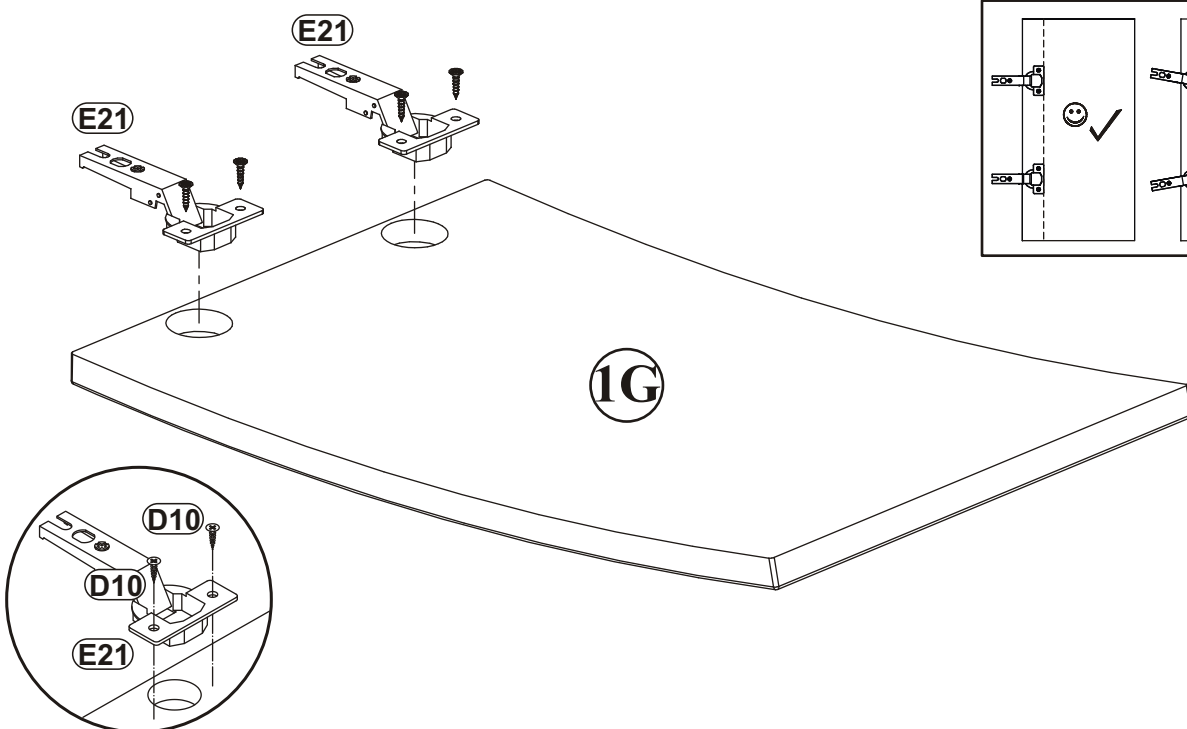
| | |
|-----|---|
| E23 | Ø35 |
| x2 |  |
| | H=8 |





5

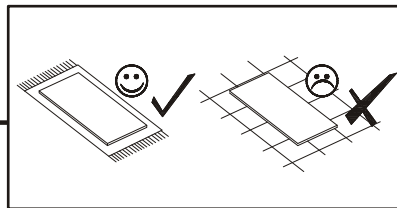
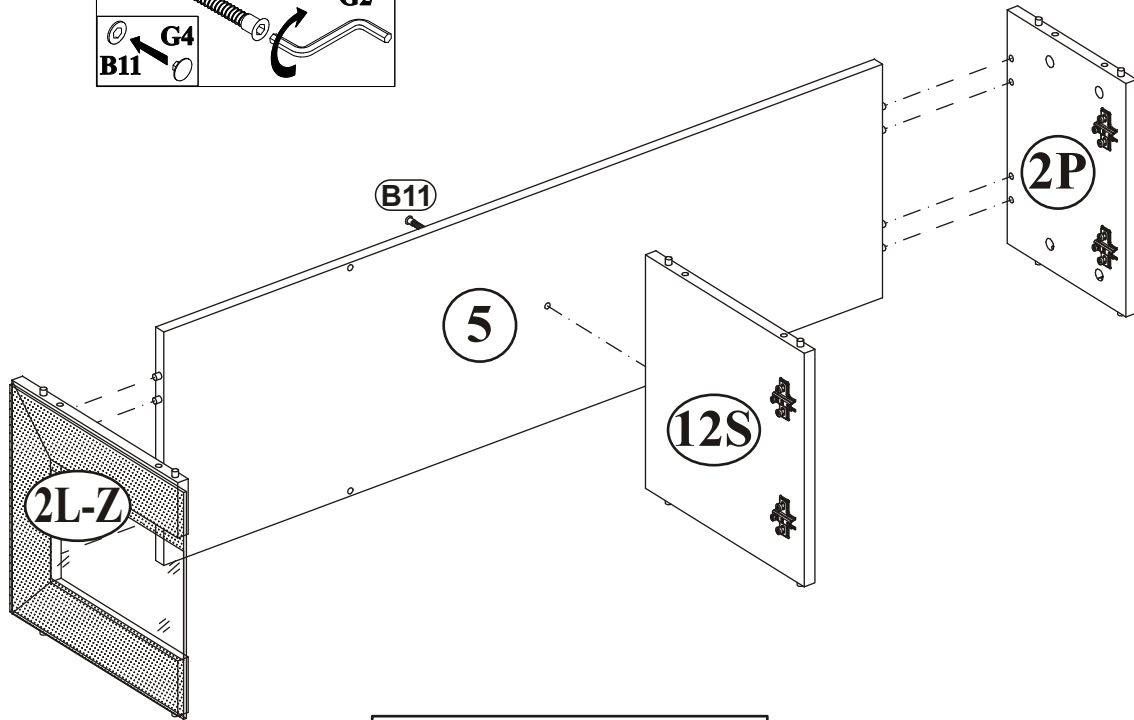
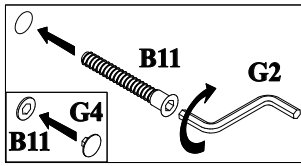
| | |
|-----|---|
| D10 |  |
| x4 | USØ3,5x13 |

| | |
|-----|---|
| E21 | Ø35 |
| x2 |  |
| | H=0 |




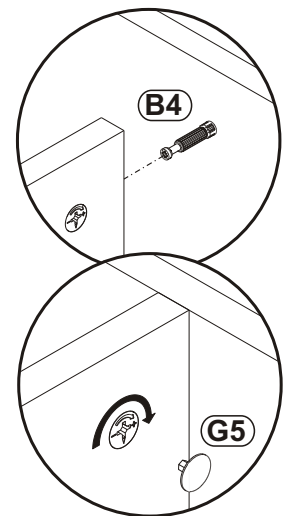
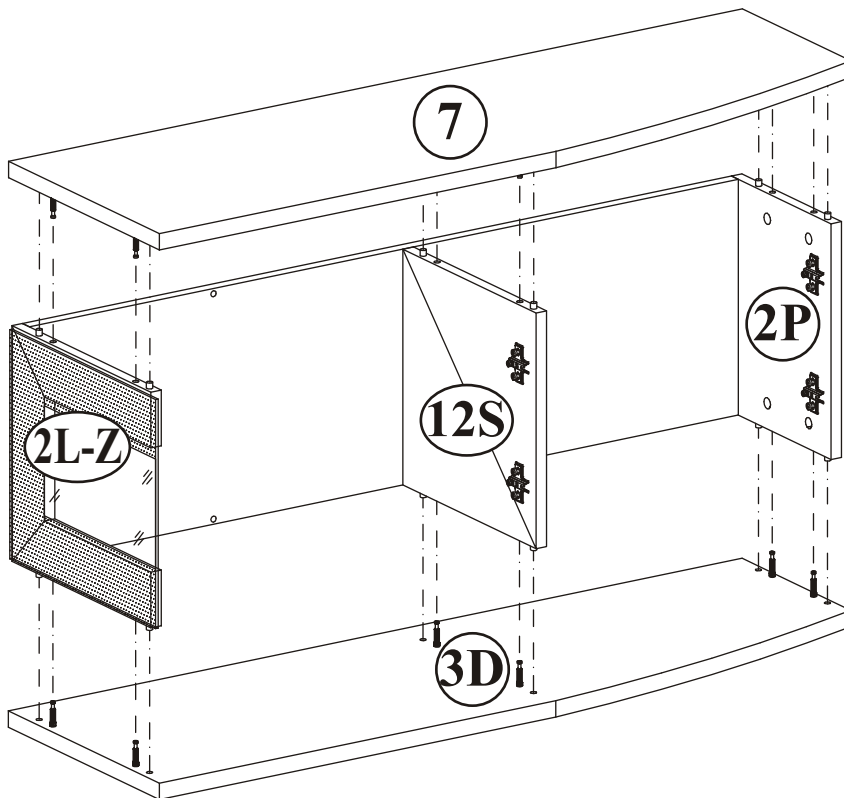
6

| | | | |
|-----|---|----|---|
| B11 |  | G4 |  |
| x1 | Ø7x50 | x1 | |

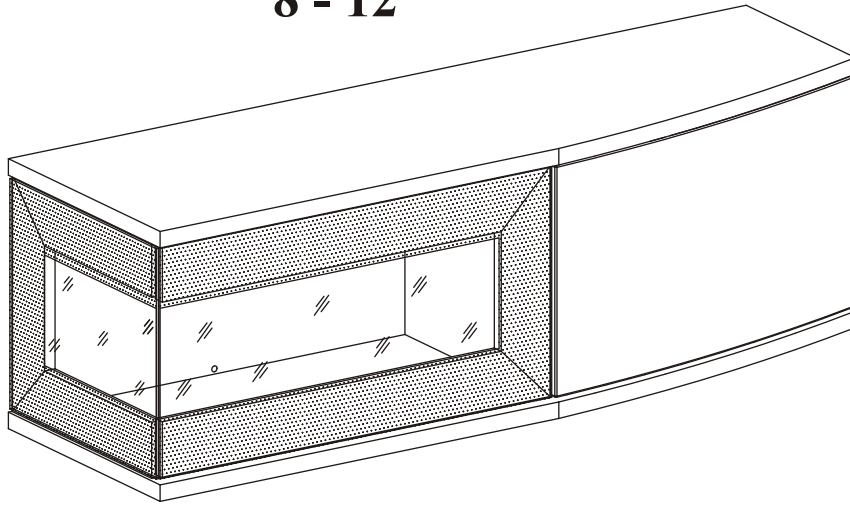


7

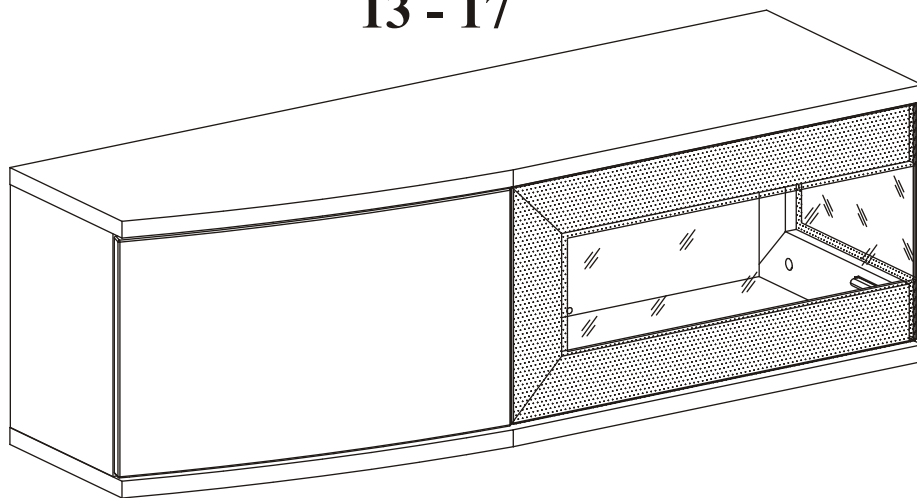
| | |
|-----|---|
| G5 |  |
| x12 | |



8 - 12

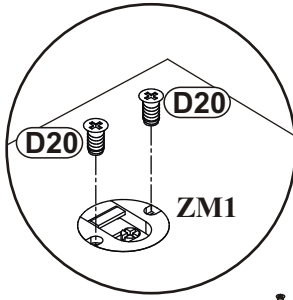
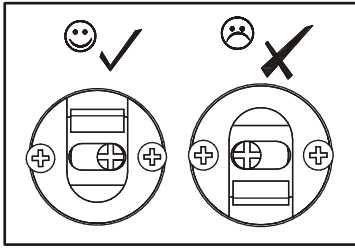


13 - 17

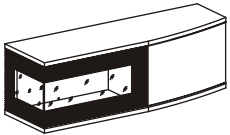
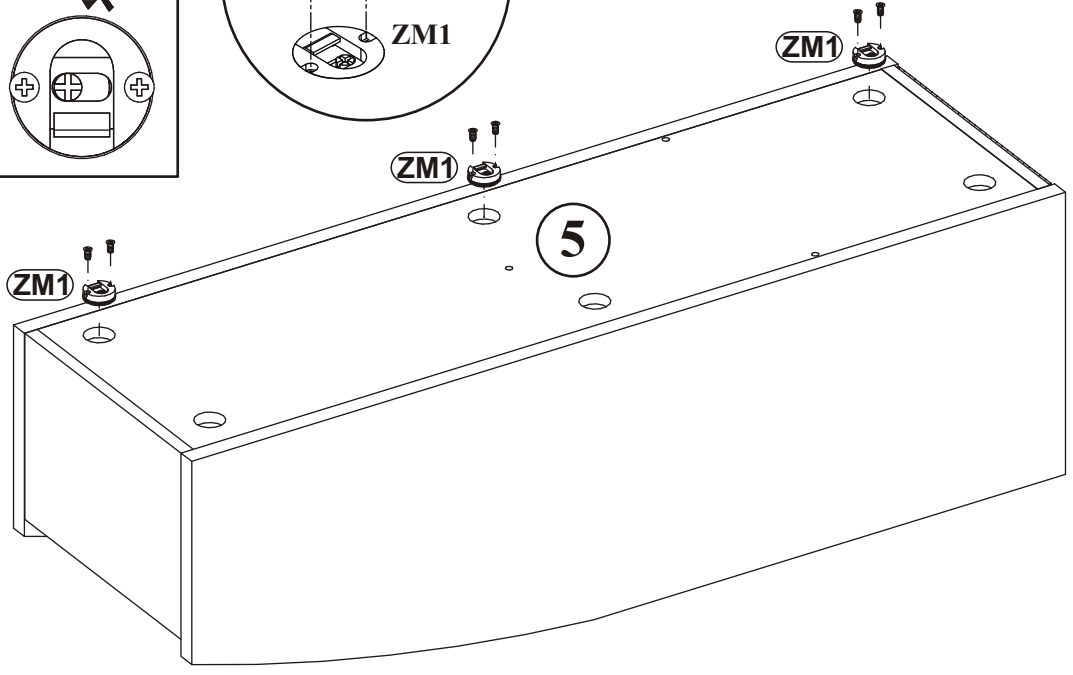


SONIC TYP-20

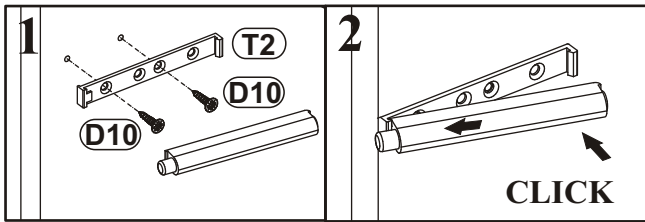
8



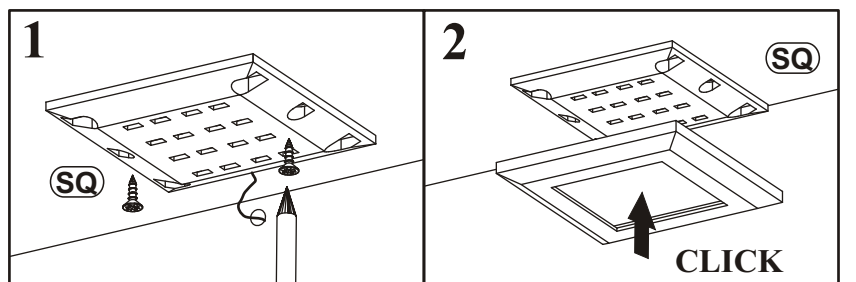
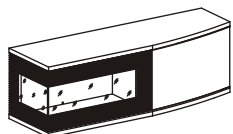
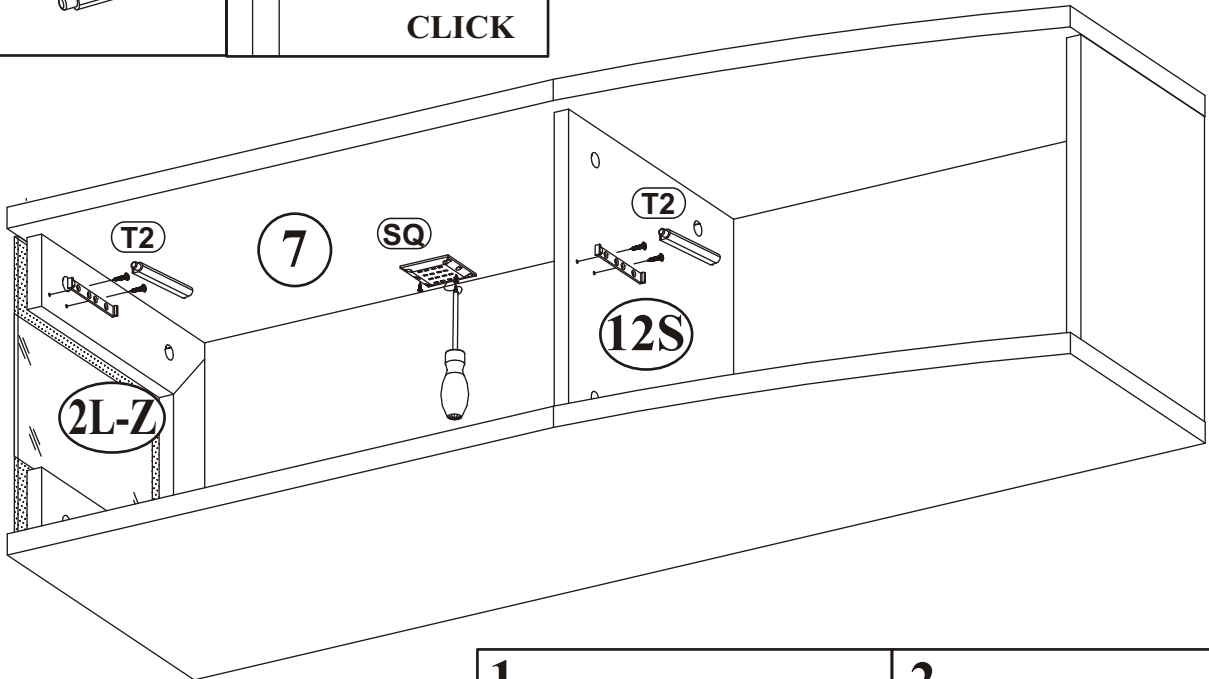
| | | | |
|-----|--|-----|------------|
| ZM1 | | D20 | |
| x3 | | x6 | ESØ6,3x9,5 |



9

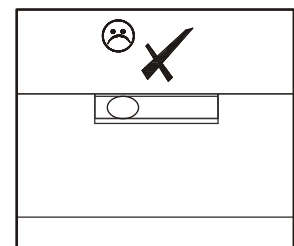
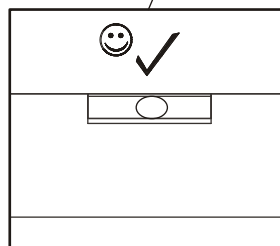
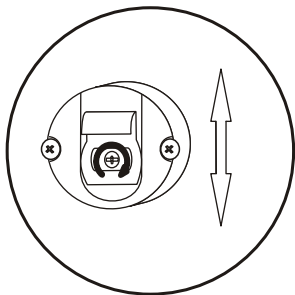
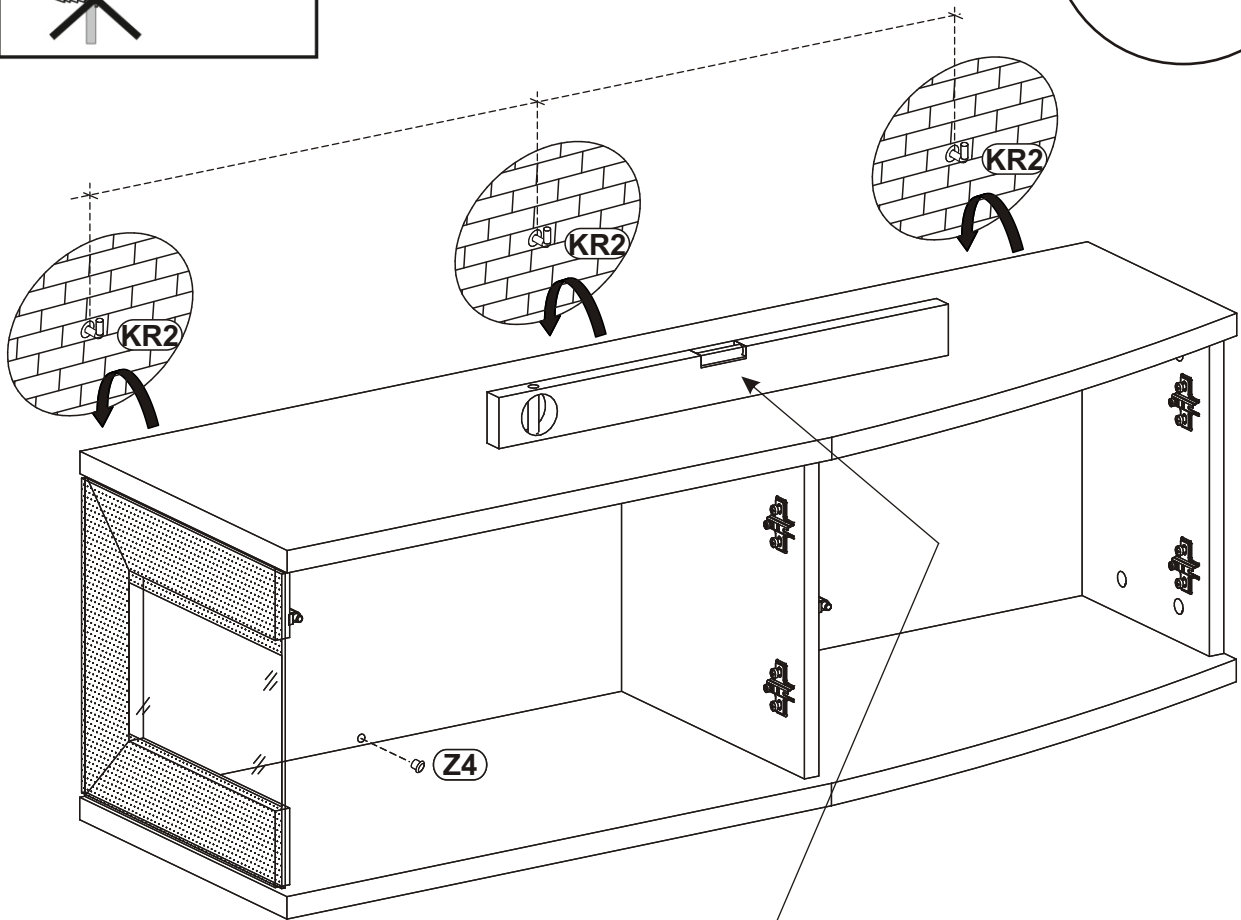
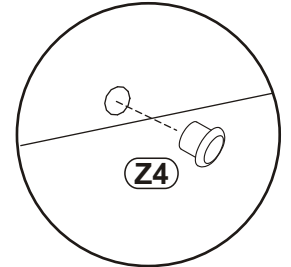
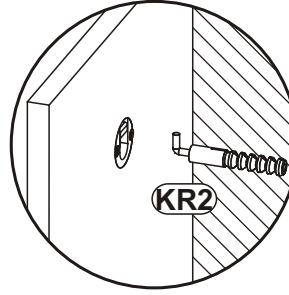
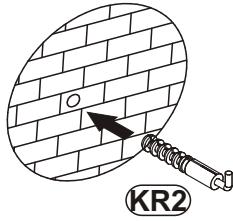
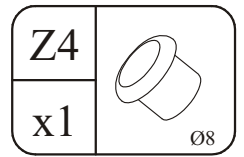
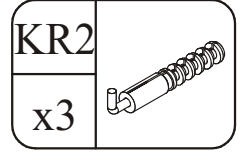
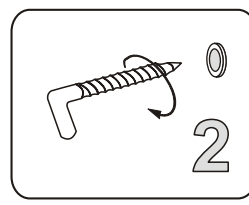
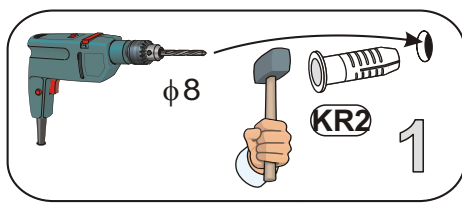
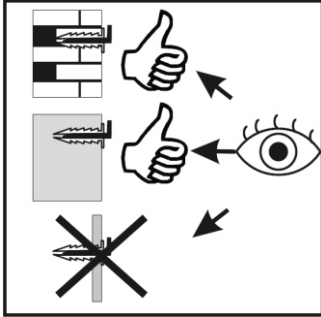
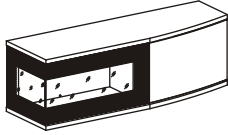


| | | | | | |
|----|--|----|------------|-----|-----------|
| SQ | | T2 | | D10 | |
| x1 | | x2 | + 20x14 | x4 | USØ3,5x13 |

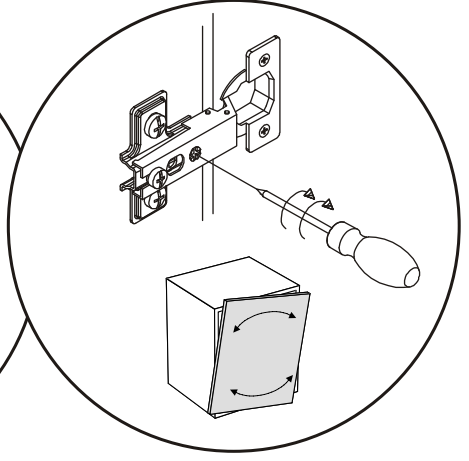
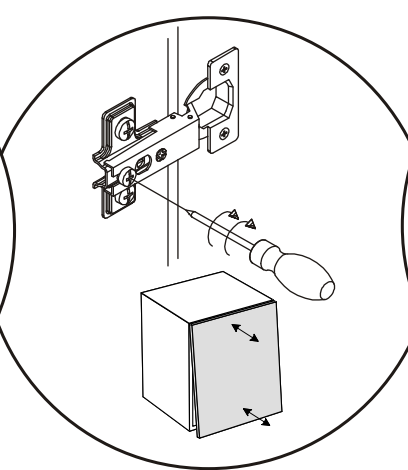
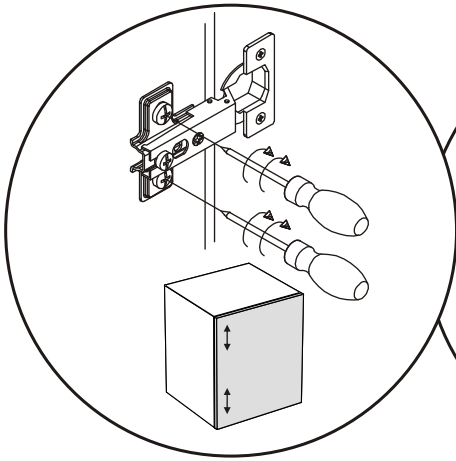
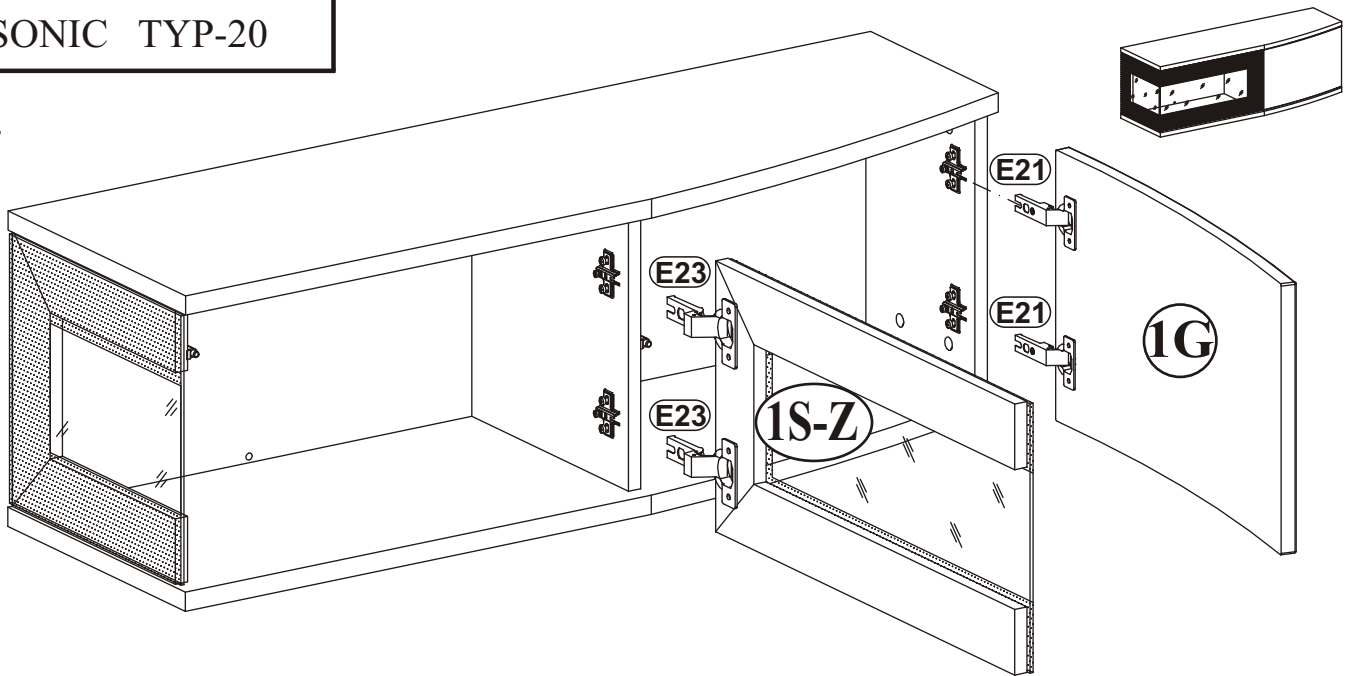


SONIC TYP-20

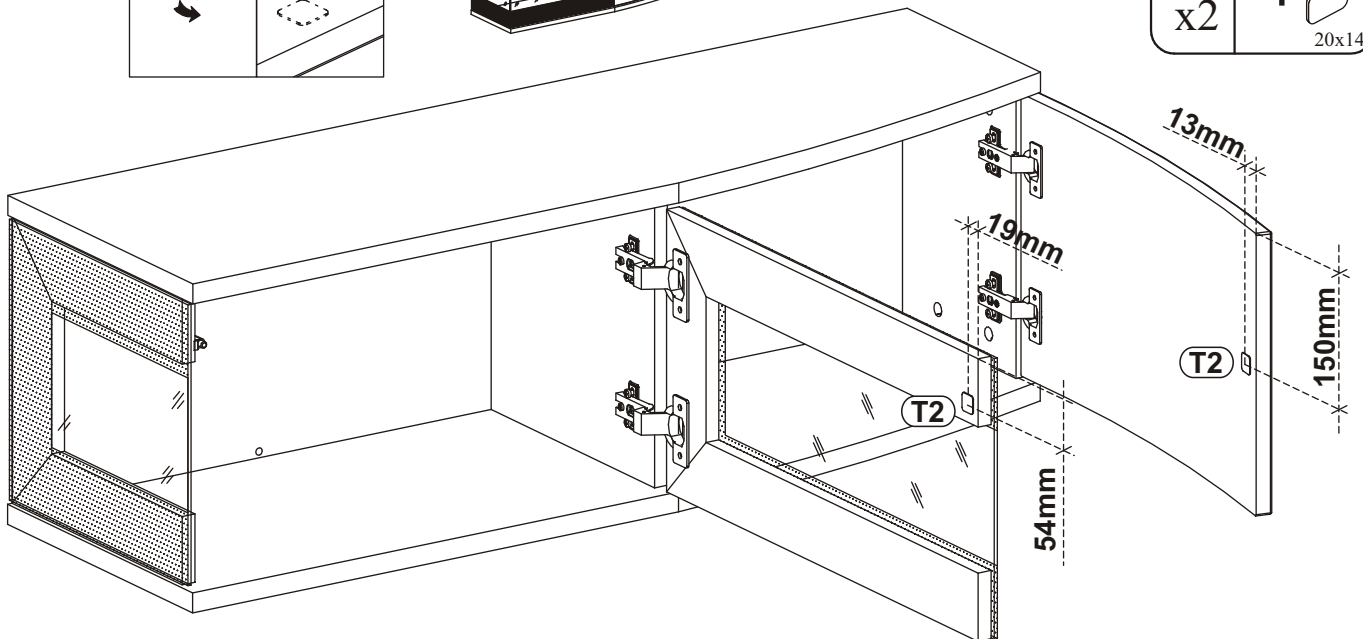
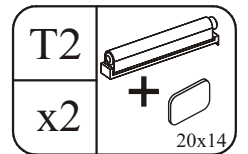
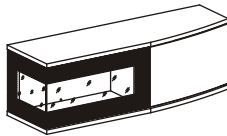
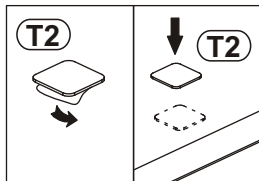
10



11

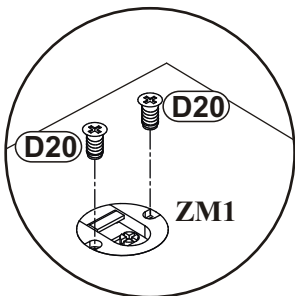
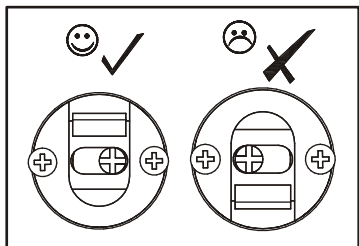


12

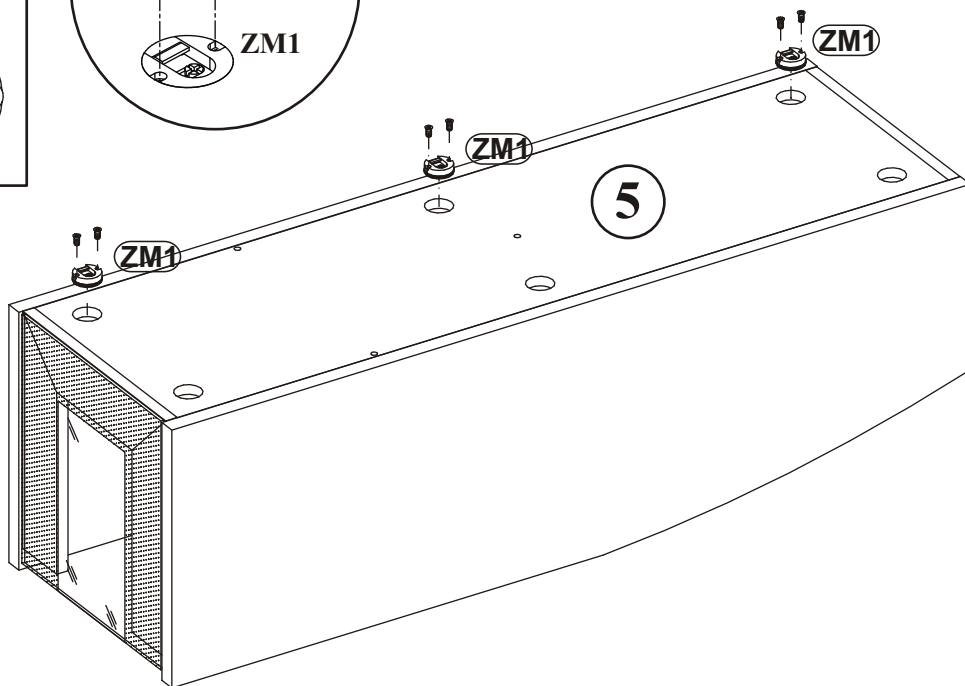
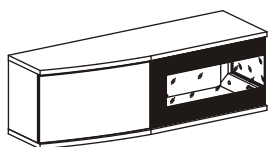


SONIC TYP-20

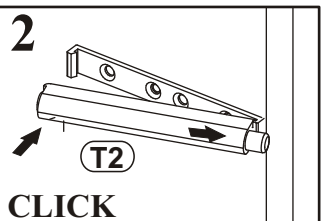
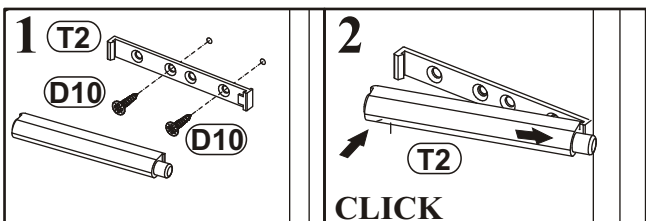
13



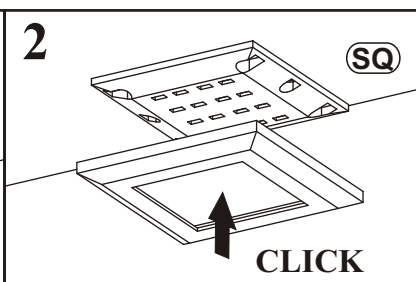
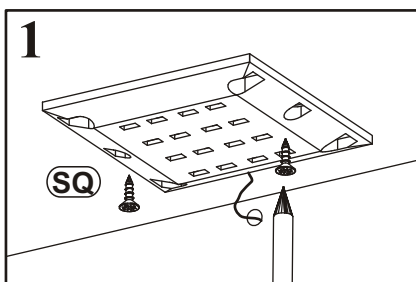
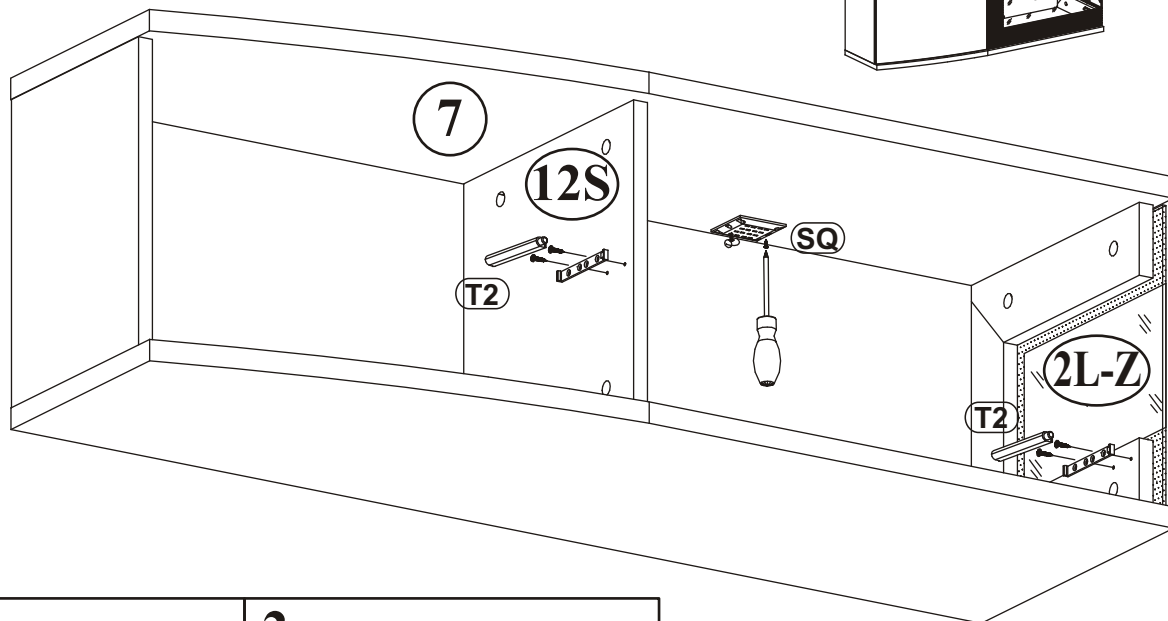
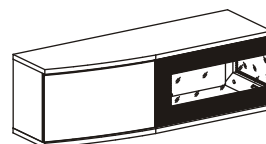
| | | | |
|-----|--|-----|------------|
| ZM1 | | D20 | |
| x3 | | x6 | ESØ6,3x9,5 |



14

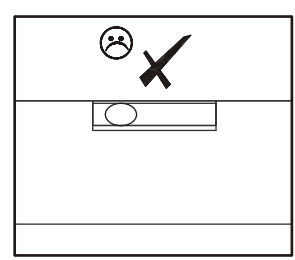
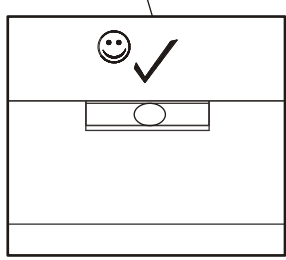
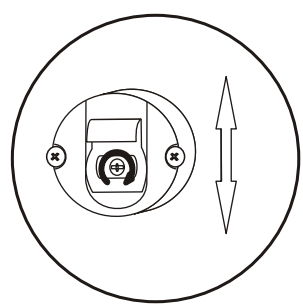
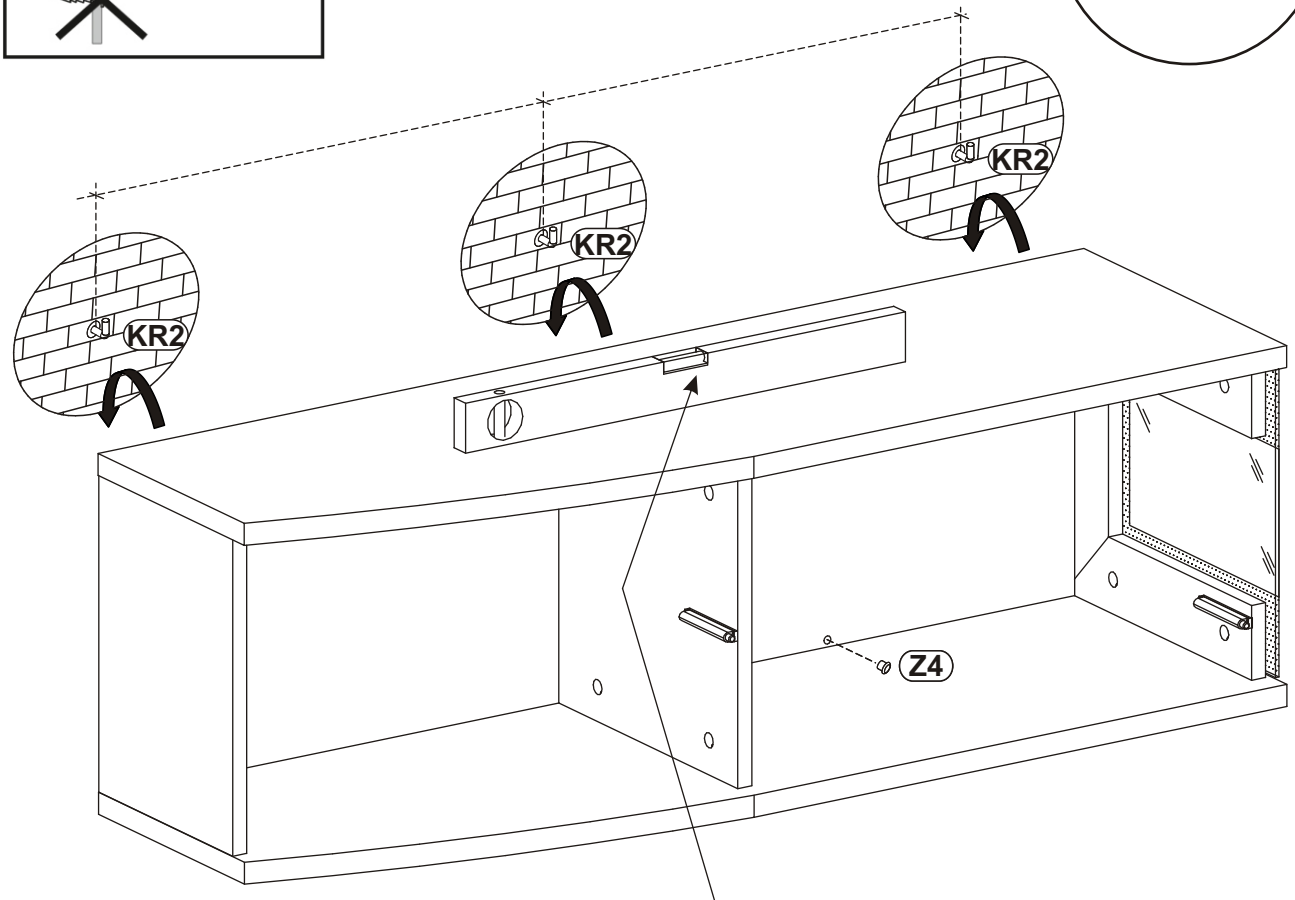
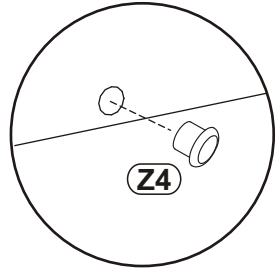
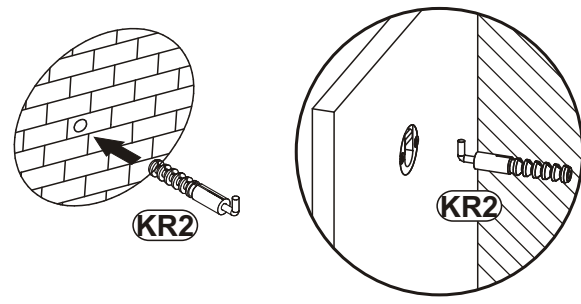
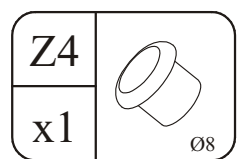
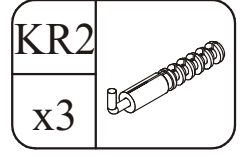
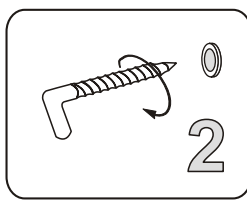
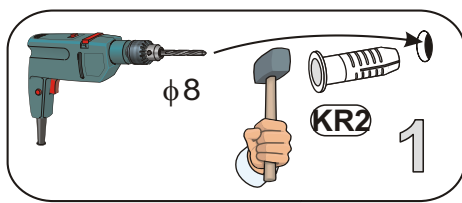
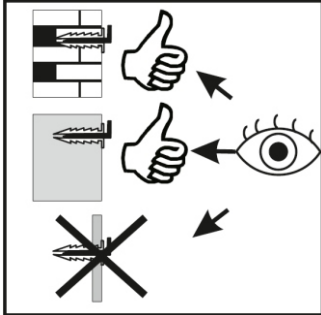
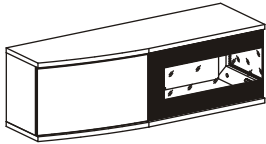


| | | | | | |
|----|--|----|-------|-----|-----------|
| SQ | | T2 | | D10 | |
| x1 | | x2 | 20x14 | x4 | USØ3,5x13 |

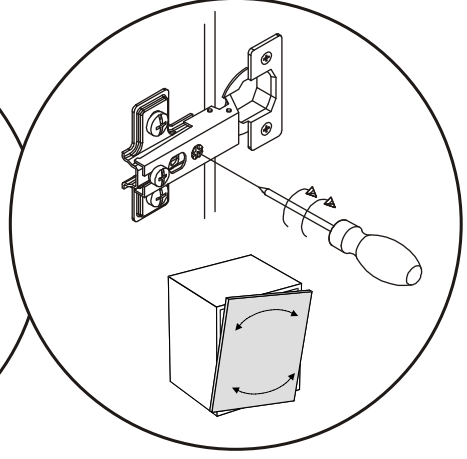
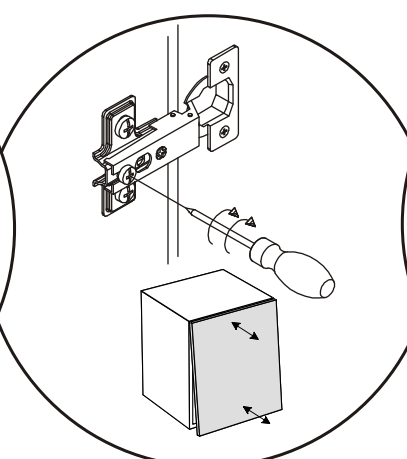
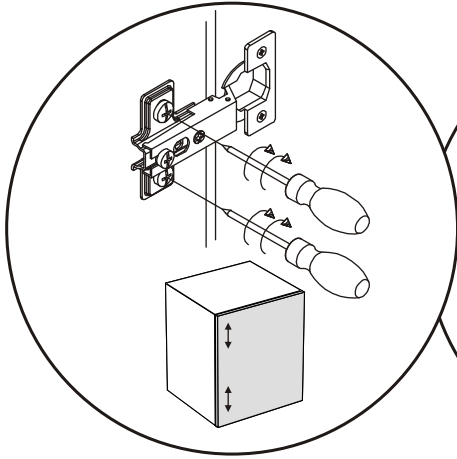
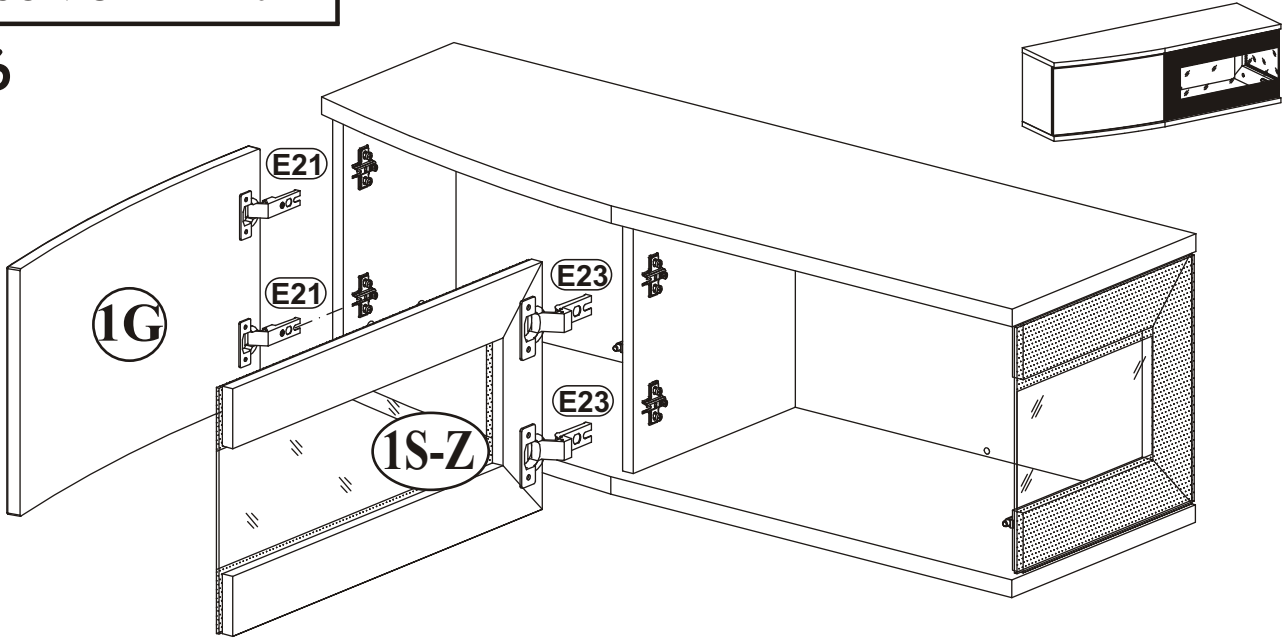


SONIC TYP-20

15



16



17

