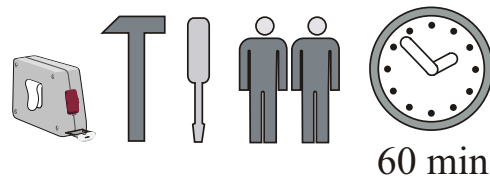
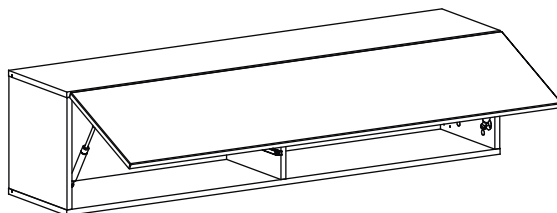
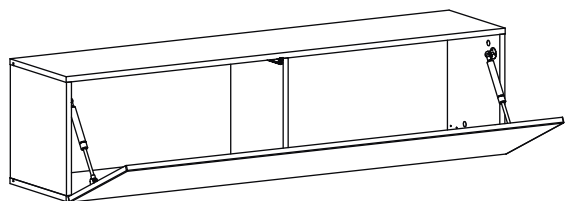
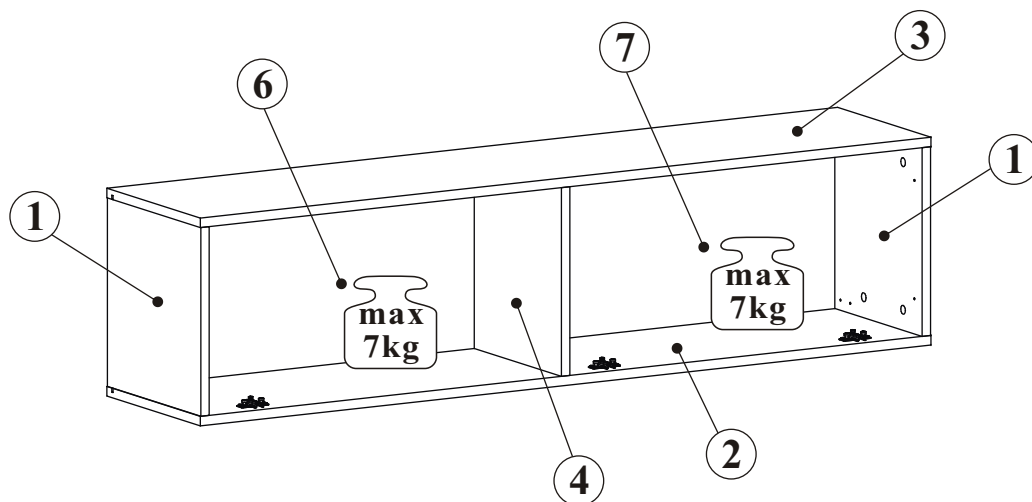
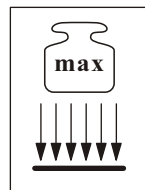
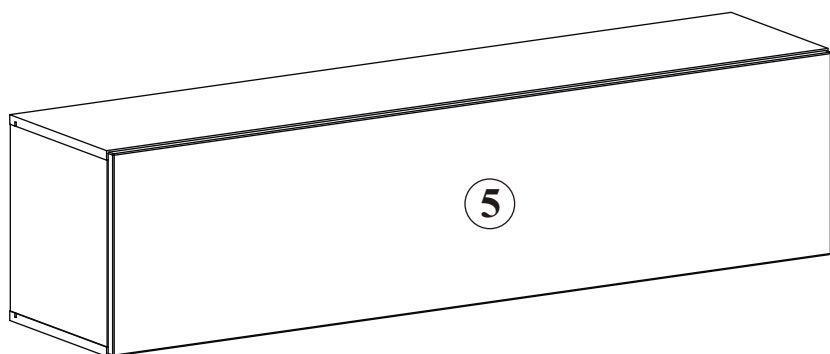


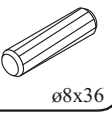
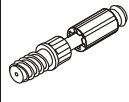


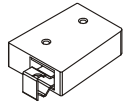

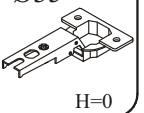
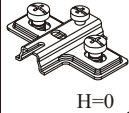

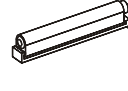

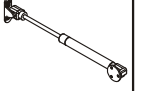
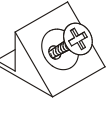
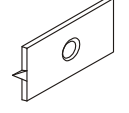

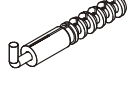

BLOX TYP 23

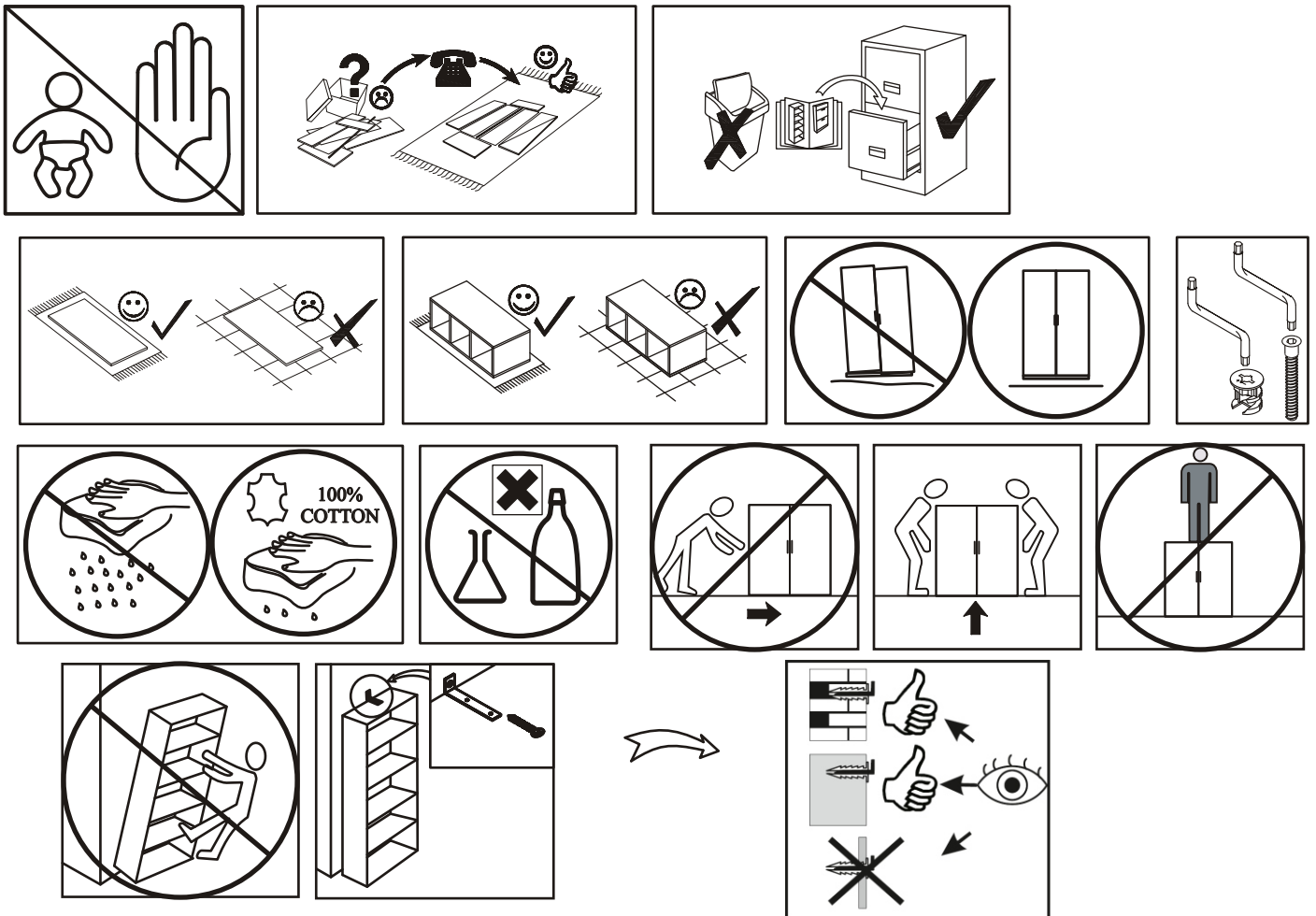
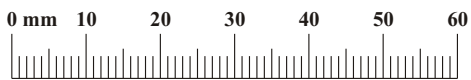


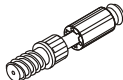
60 min

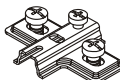
NO	Dim.		Col.-No	Qty
1	317	304	1	2
2	1399	304	1	1
3	1399	304	1	1
4	317	284	1	1
5	1393	343	1	1
6	329	687	1	1
7	329	687	1	1

BLOX TYP 23

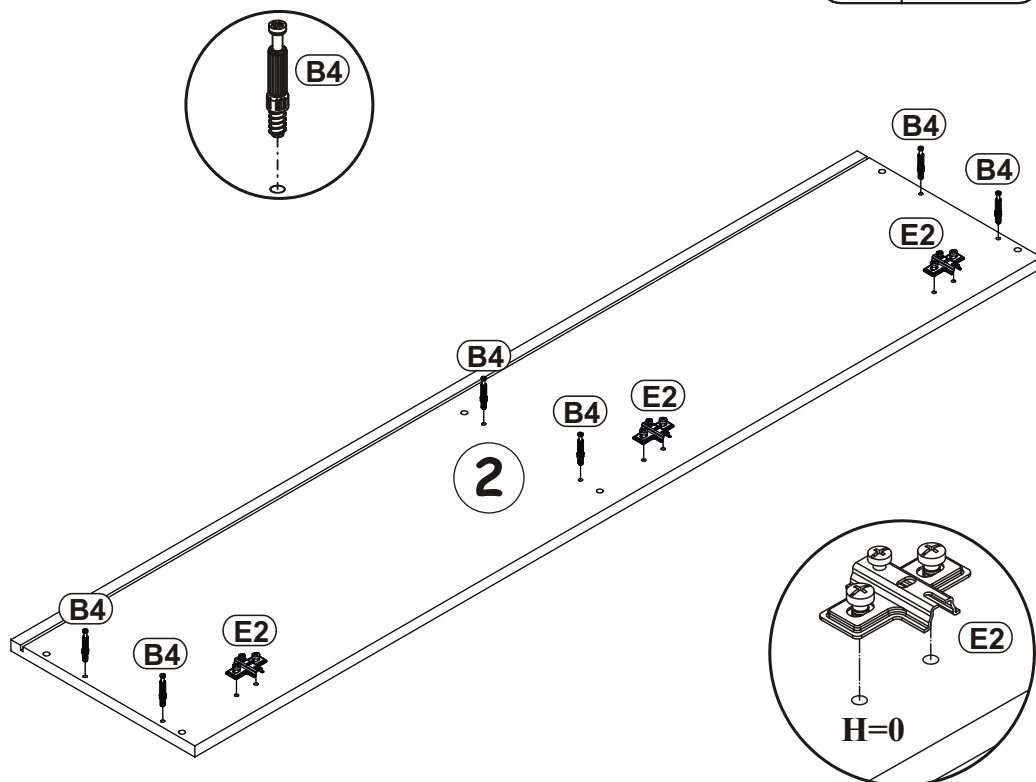
A1 x12  ø8x36	B4 x12 	B5 x12  Ø15x12	G5 x12 	ZR1 x3 	D6 x6  USØ3,5x30
E21 x3 Ø35  H=0	E2 x3  H=0	D10 x28  USØ3,5x13	T1 x1 	BO1 x2 	BP1 x2 
S1 x10 	G16 x2 	UP13 x2  UPØ3x16	KR2 x3 	G2 x1 	



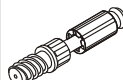
B4	
x6	

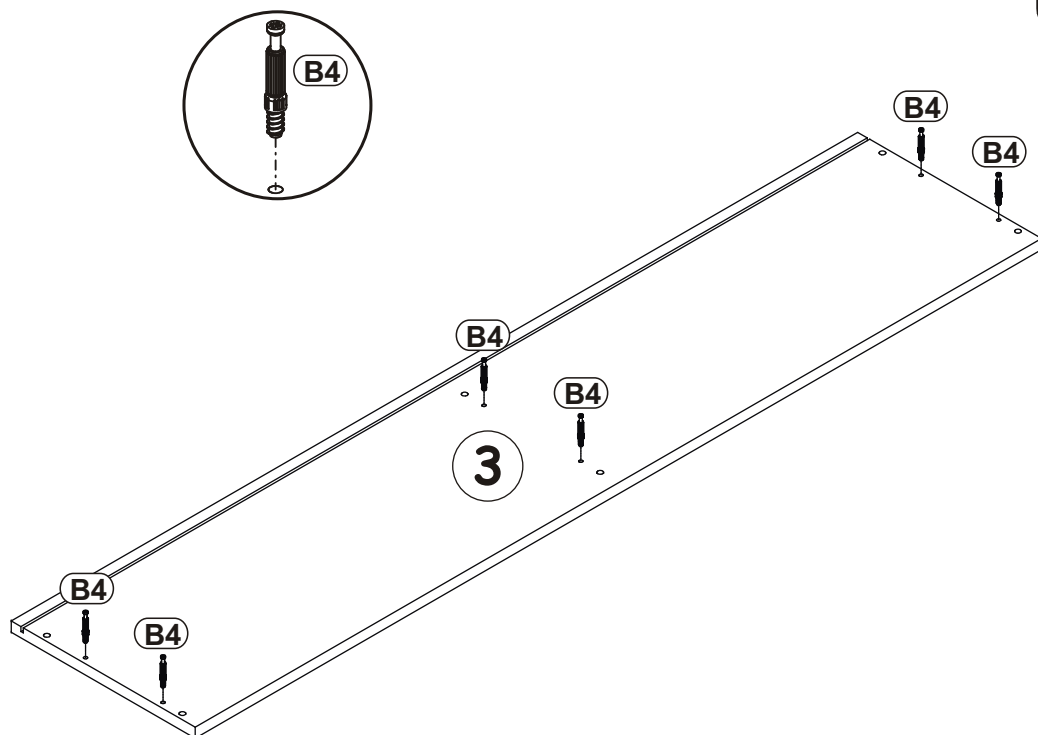
E2	
x3	H=0

1

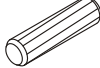



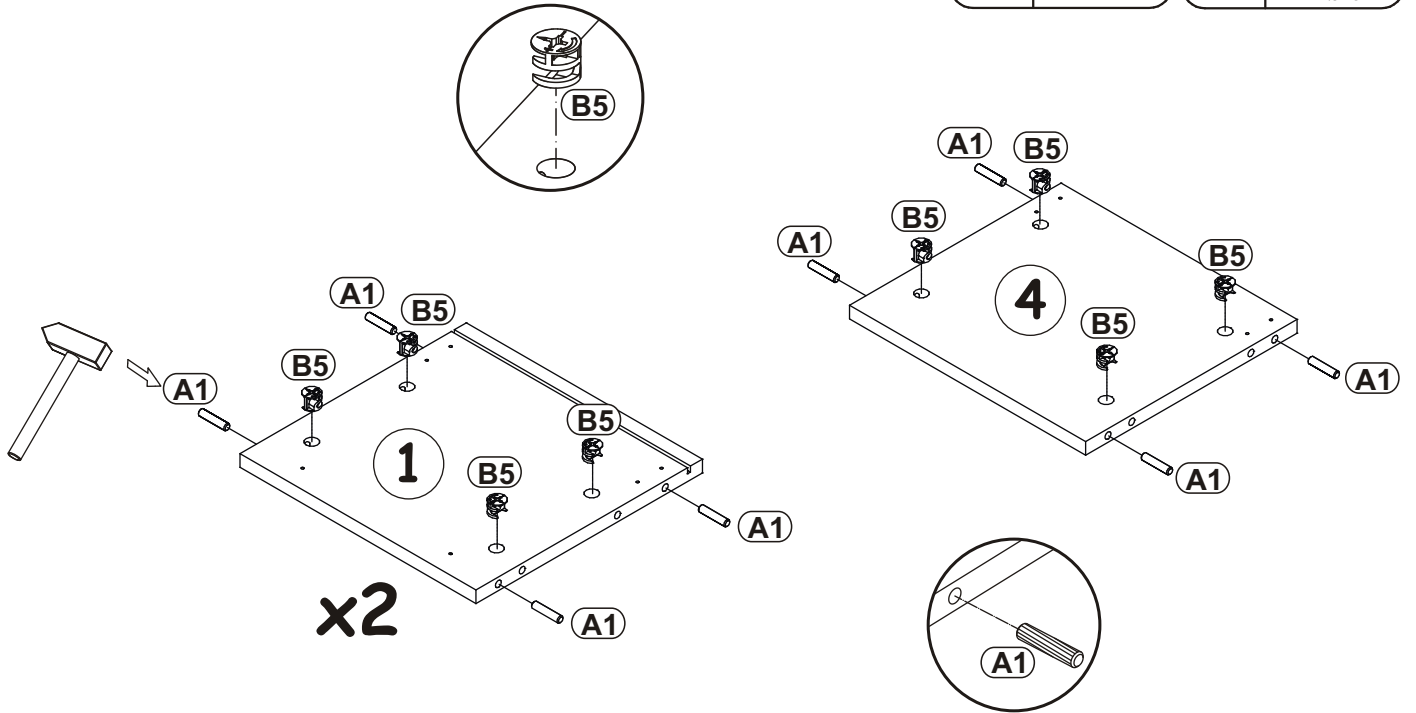
2

B4	
x6	

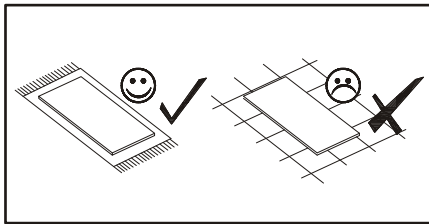


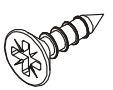
3

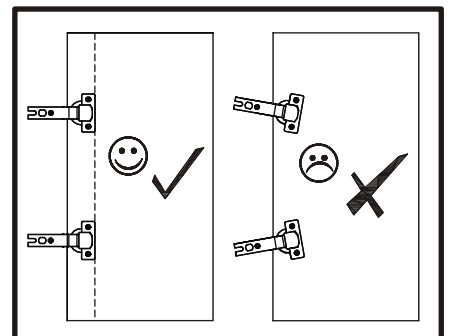
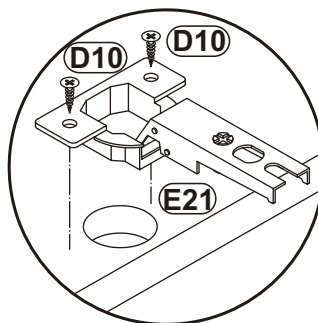
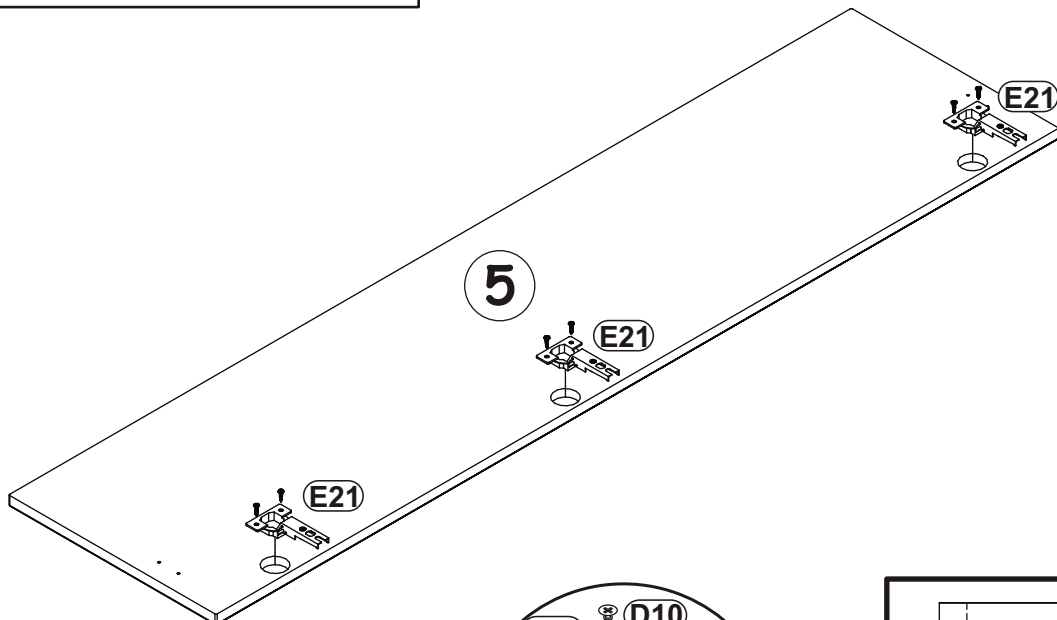
A1		B5	
x12	ø8x36	x12	Ø15x12



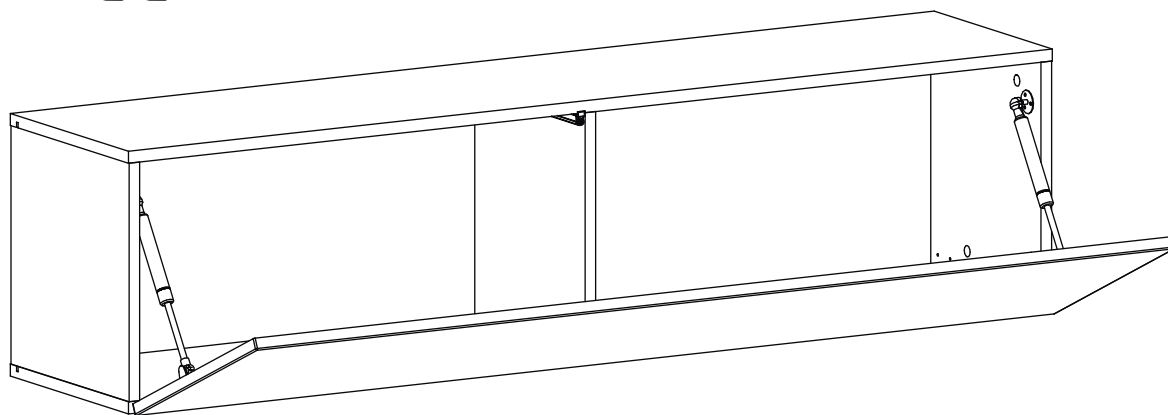
4



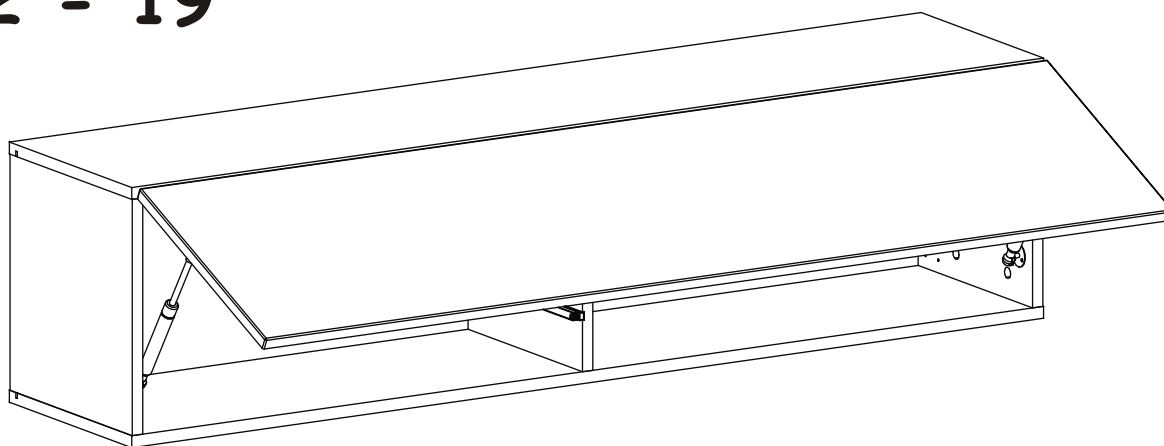
E21	Ø35	D10	
x3	H=0	x6	USØ3,5x13

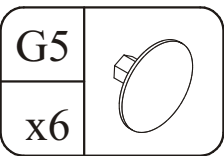


5 - 11

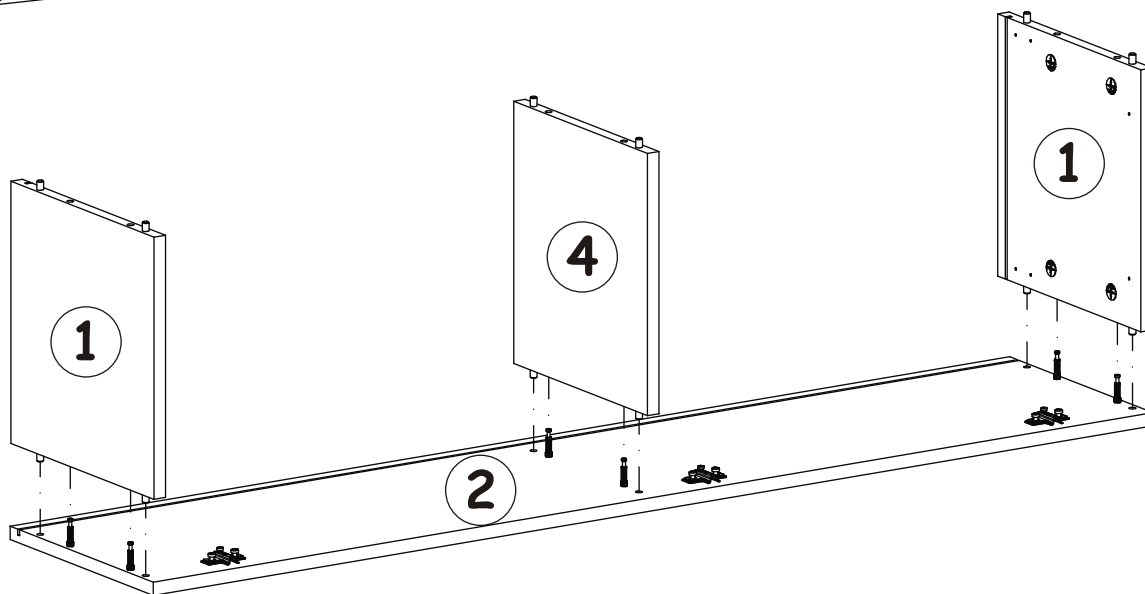
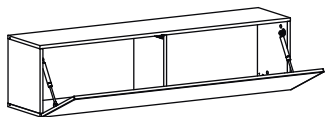


12 - 19

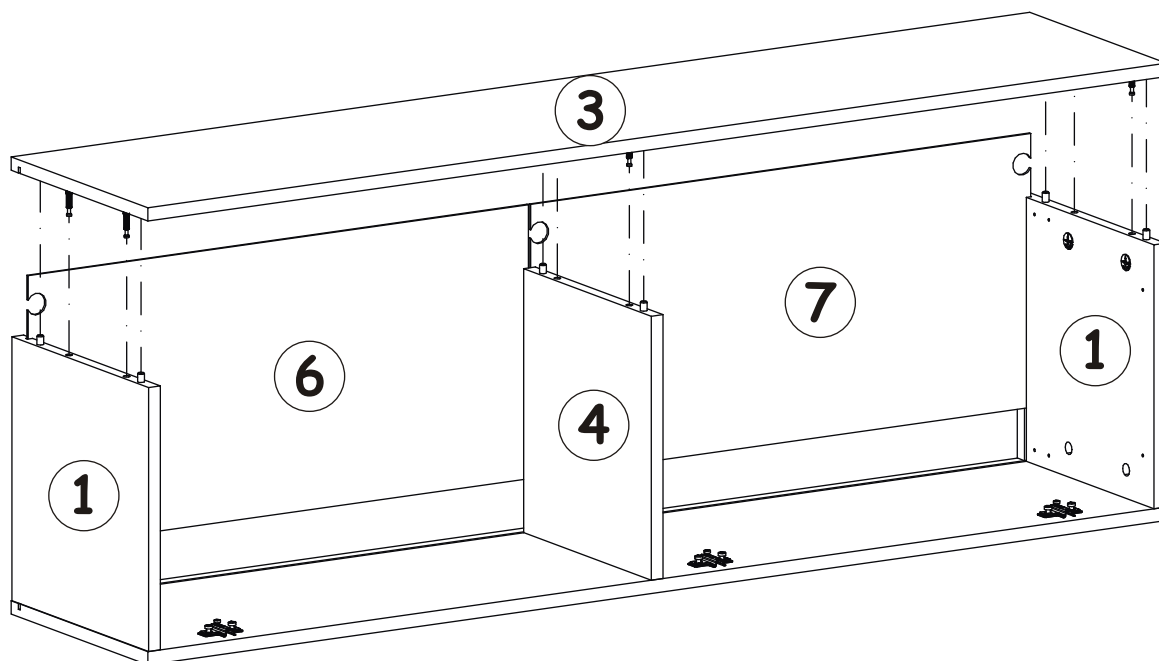
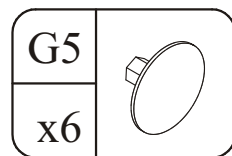
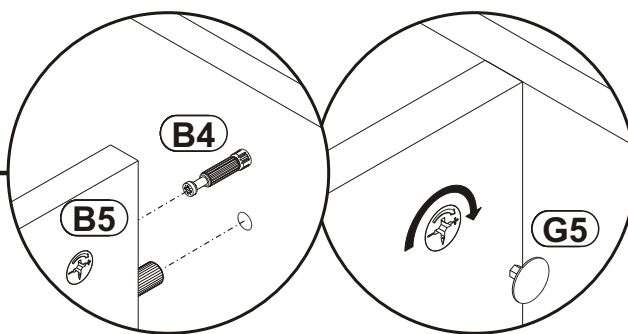




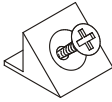
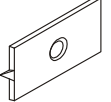
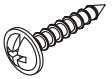
5



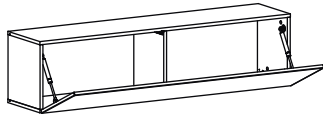
6



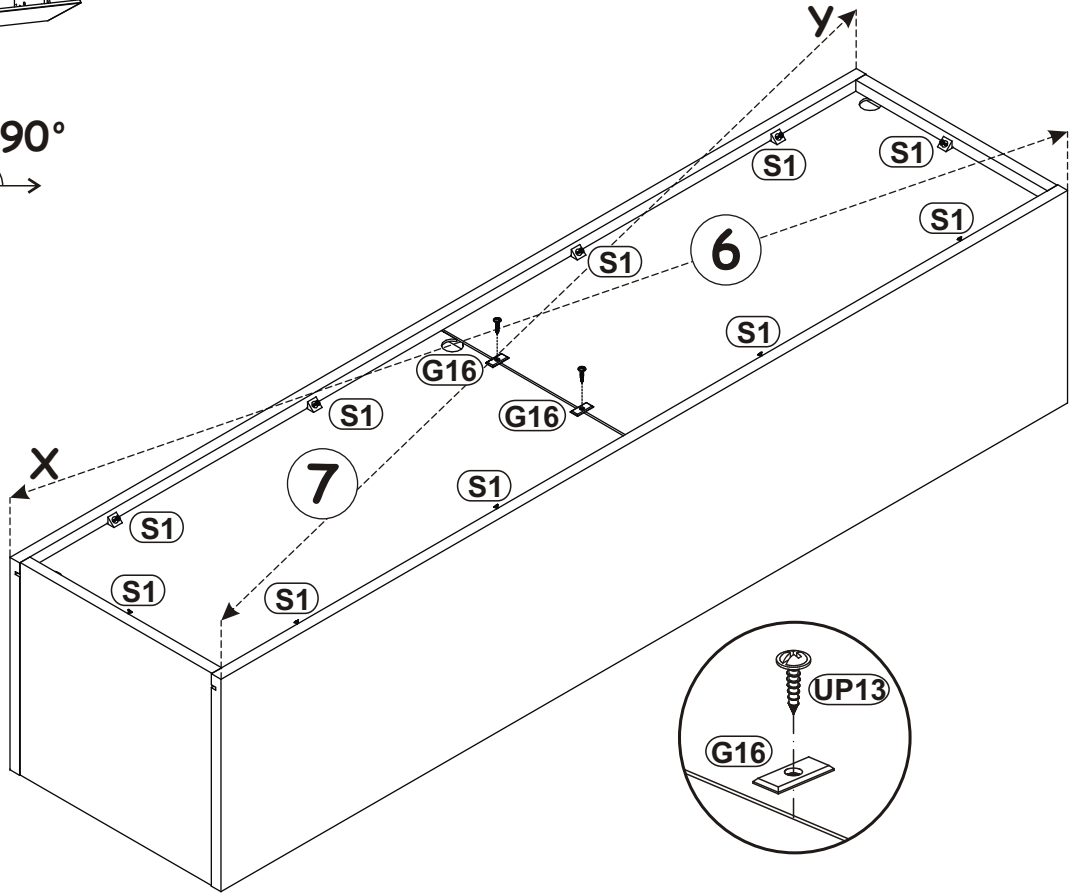
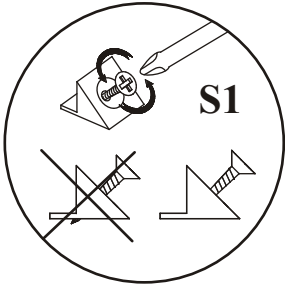
BLOX TYP 23

S1		G16		UP13	
x10		x2		x2	UPØ3x16

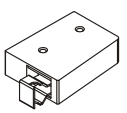

7

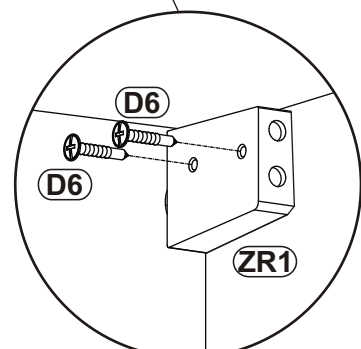
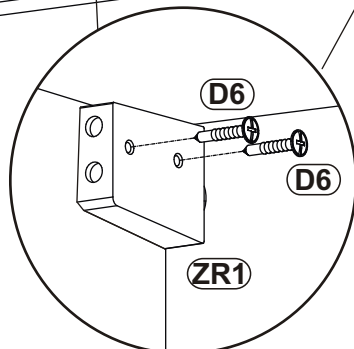
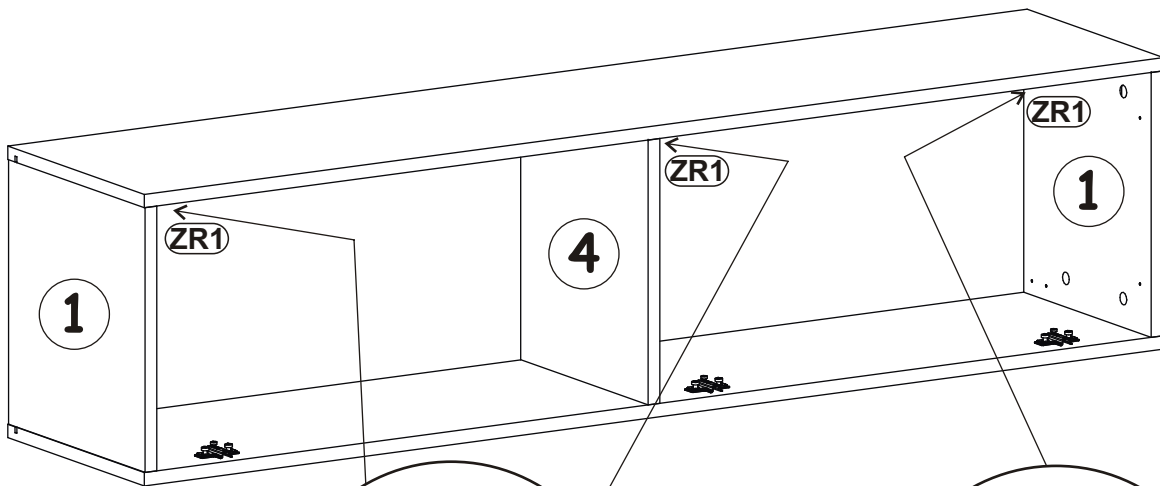


X=Y 90°

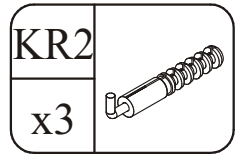


8

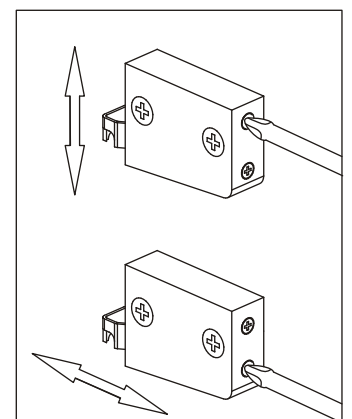
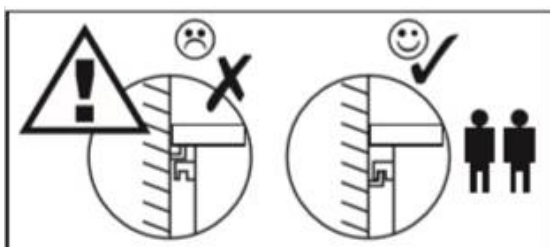
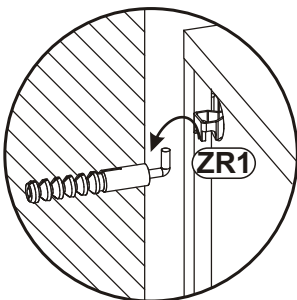
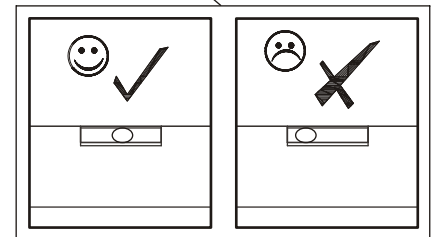
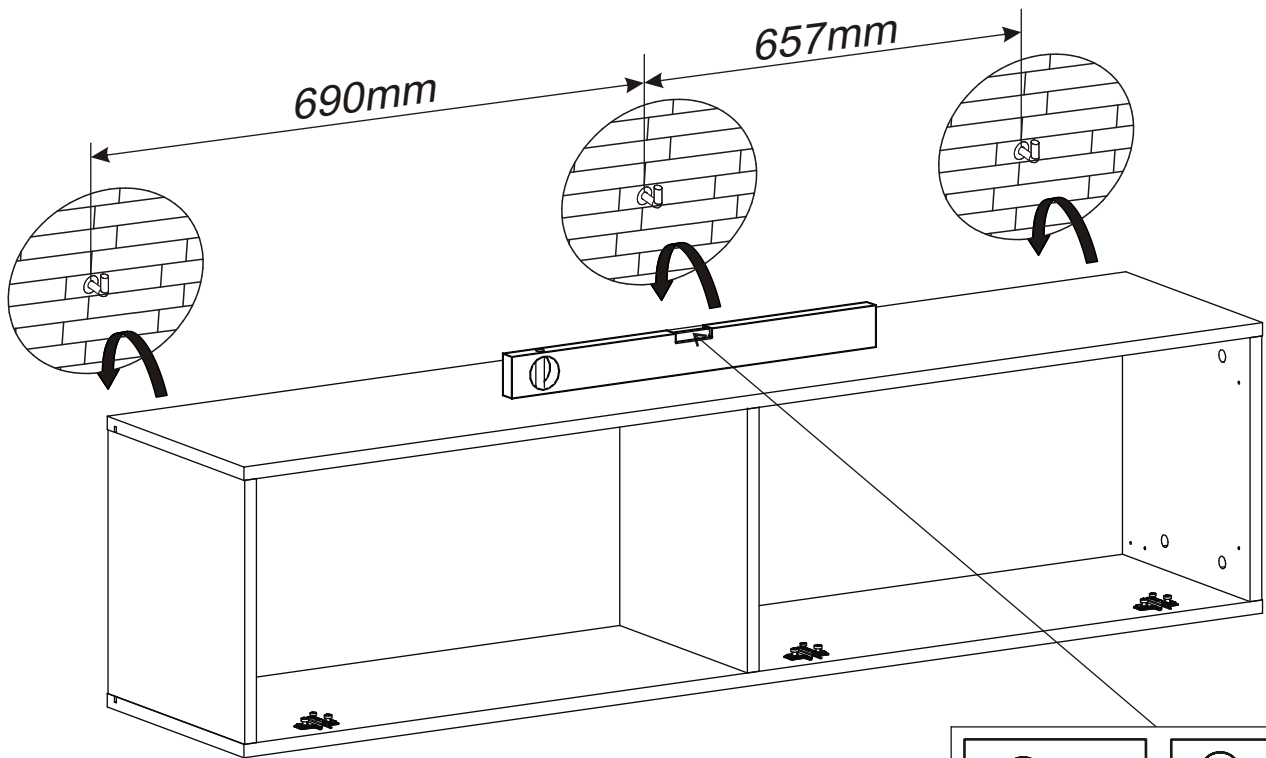
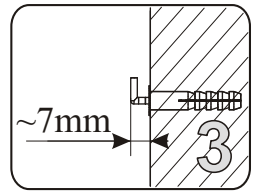
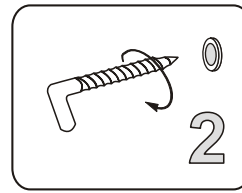
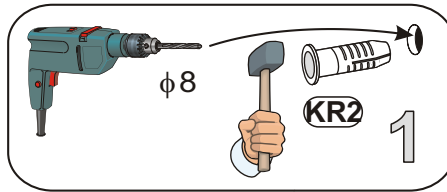
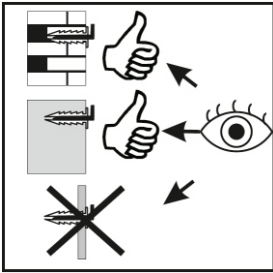
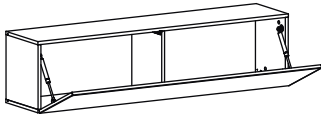
ZR1		D6	
x3		x6	USØ3,5x30



BLOX TYP 23

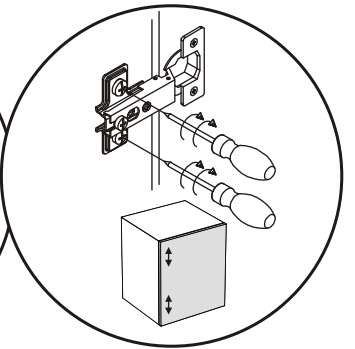
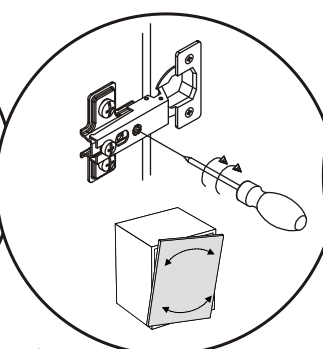
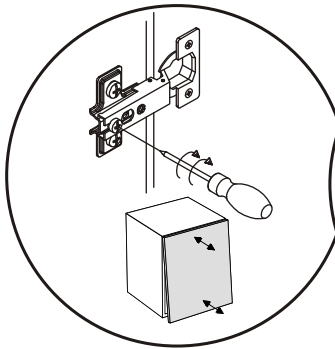
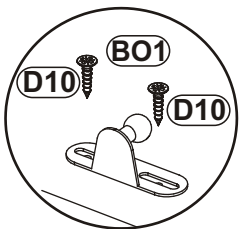
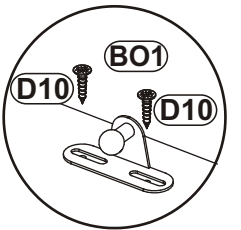
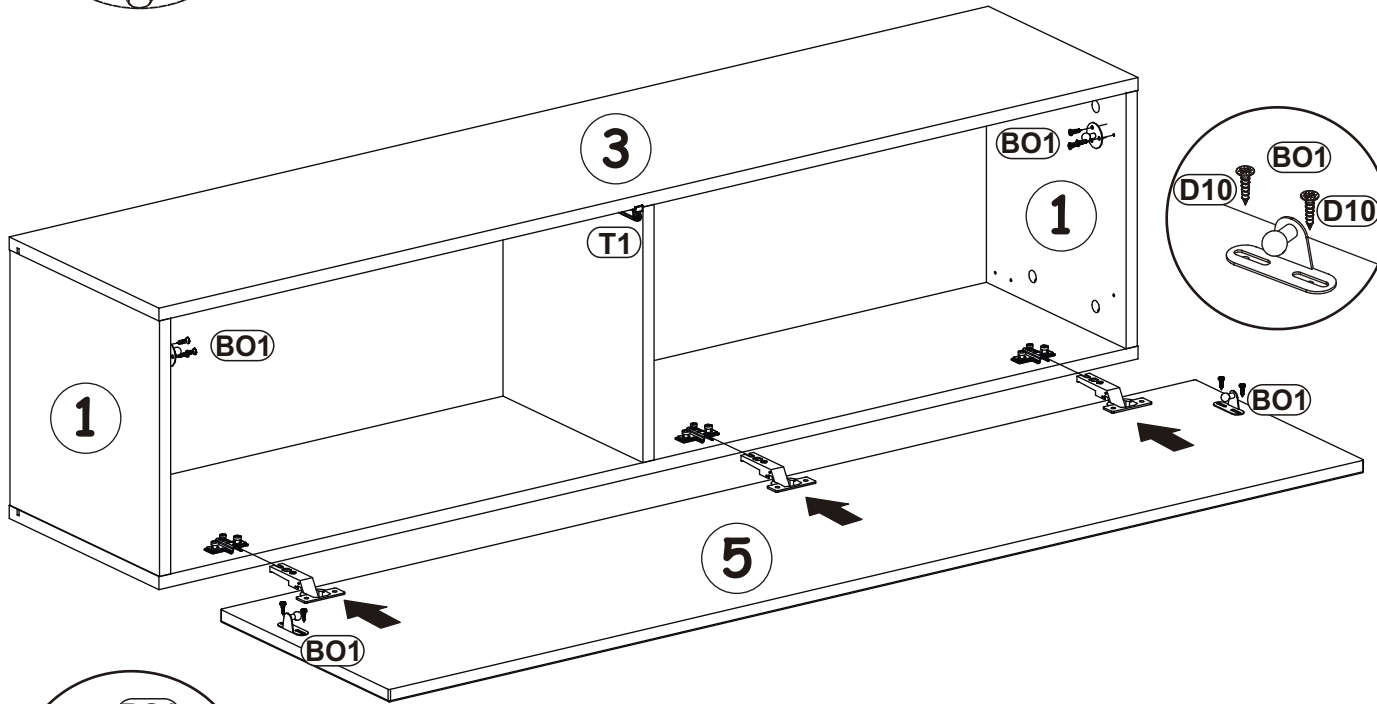
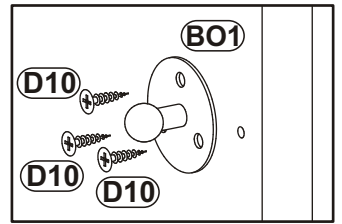
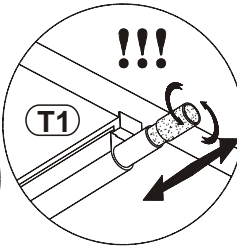
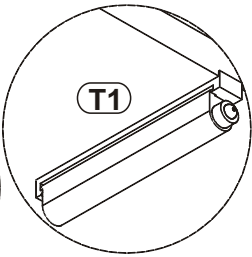
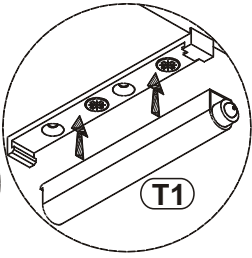
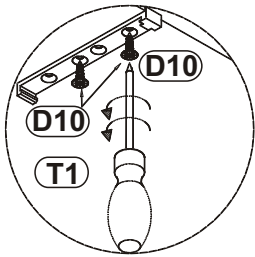
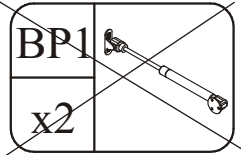
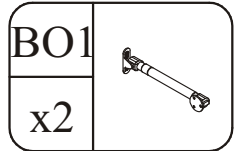
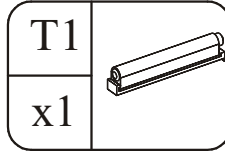
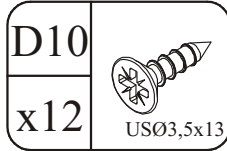
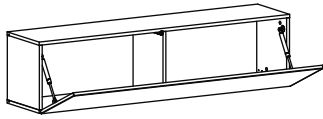


9

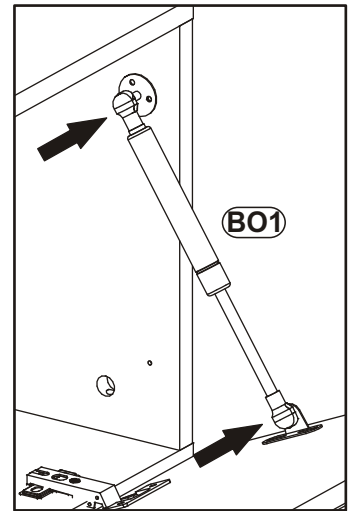
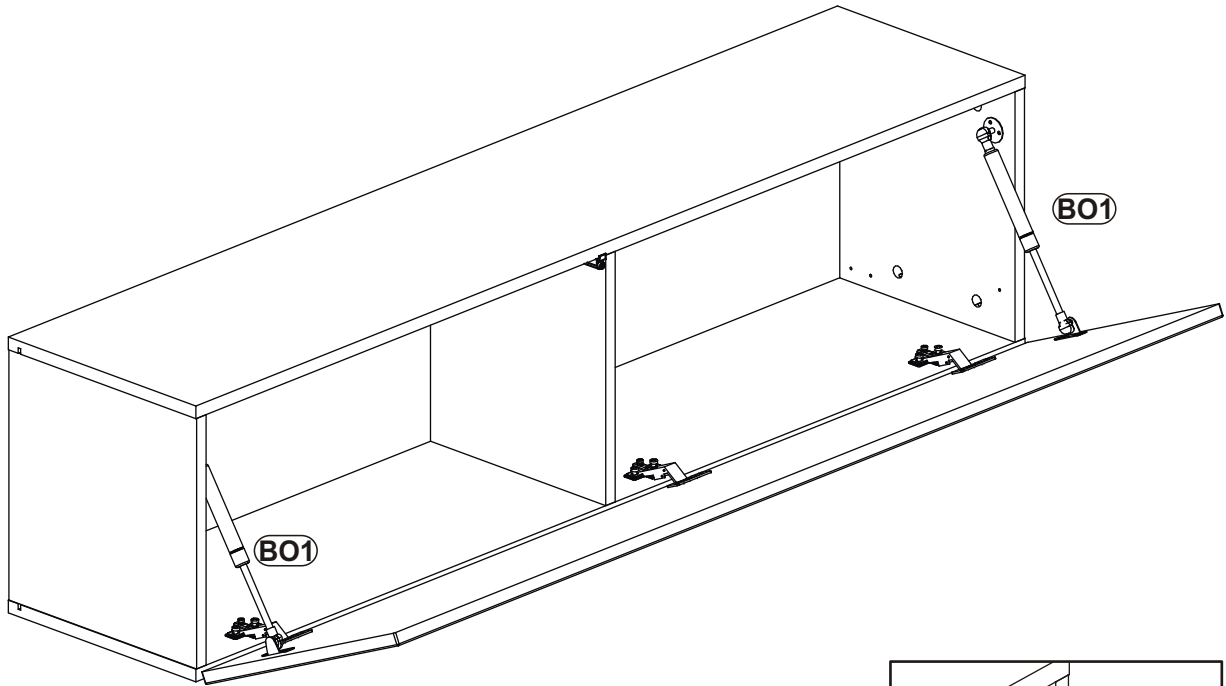
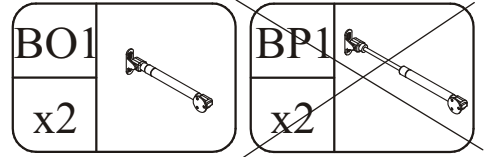
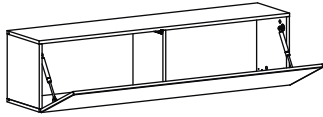


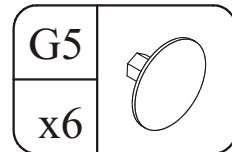
BLOX TYP 23

10

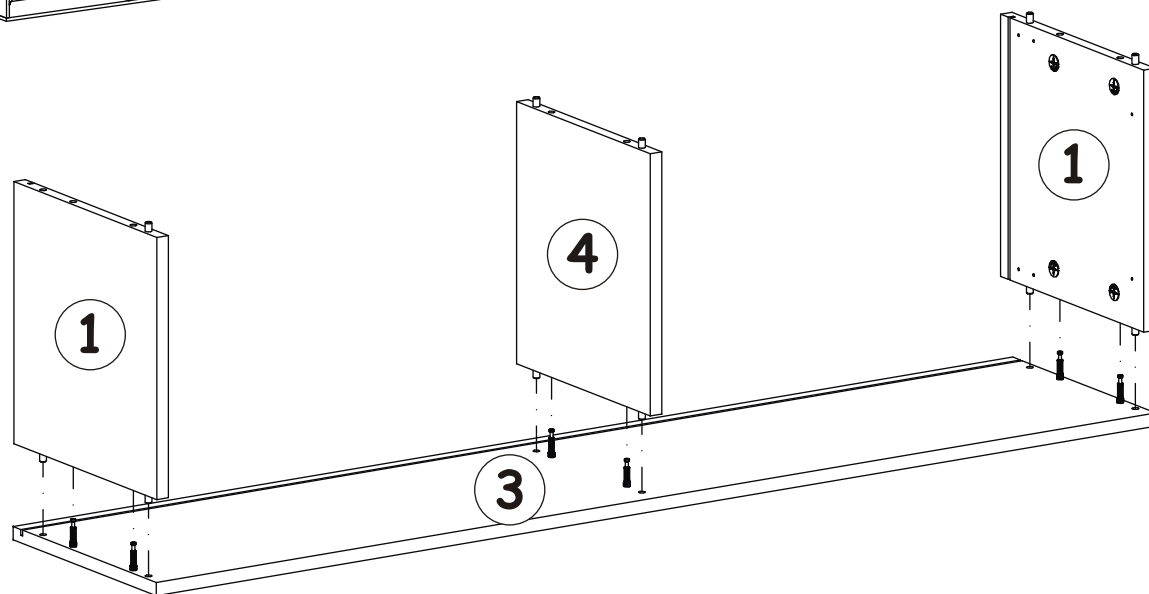
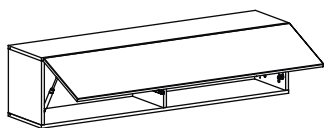


11

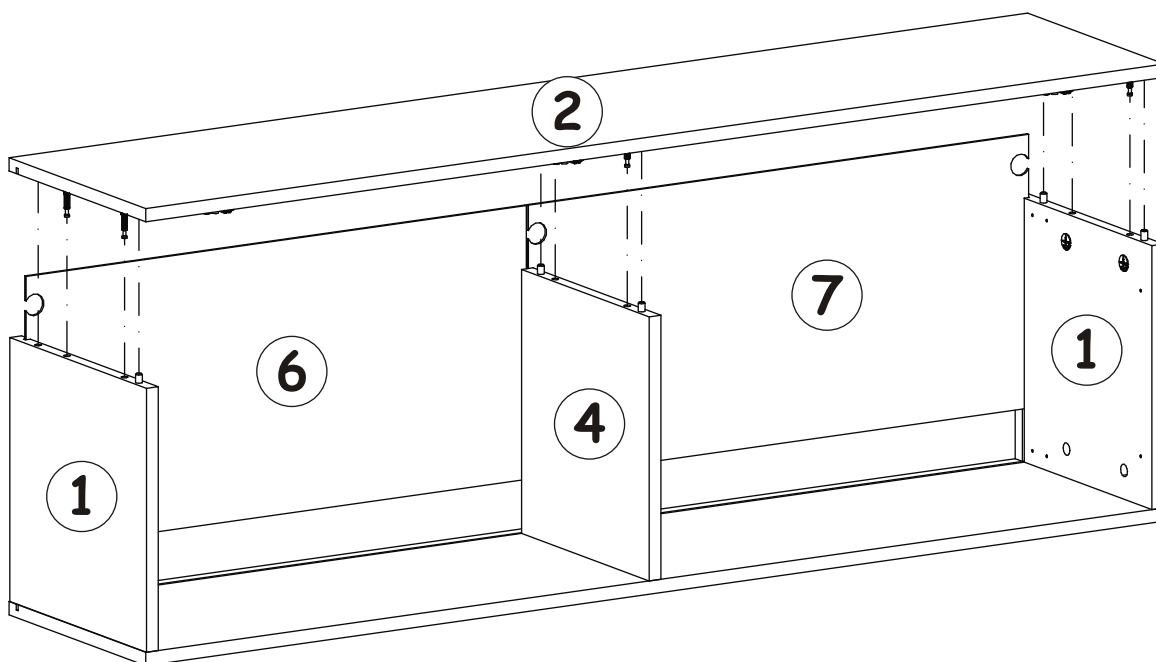
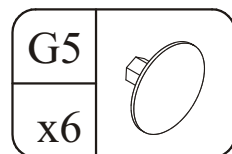
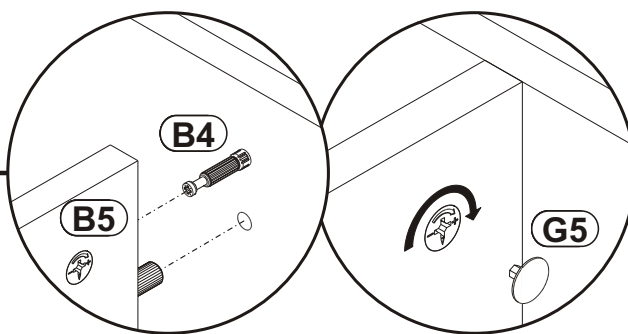




12

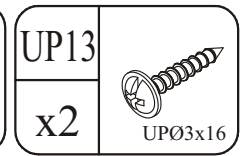
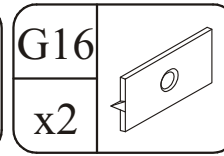
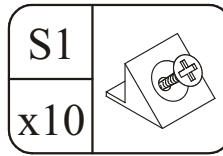
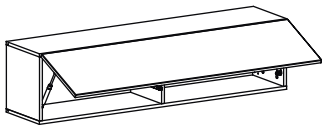


13

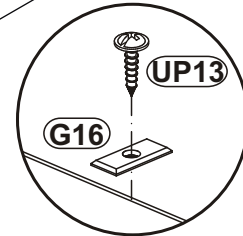
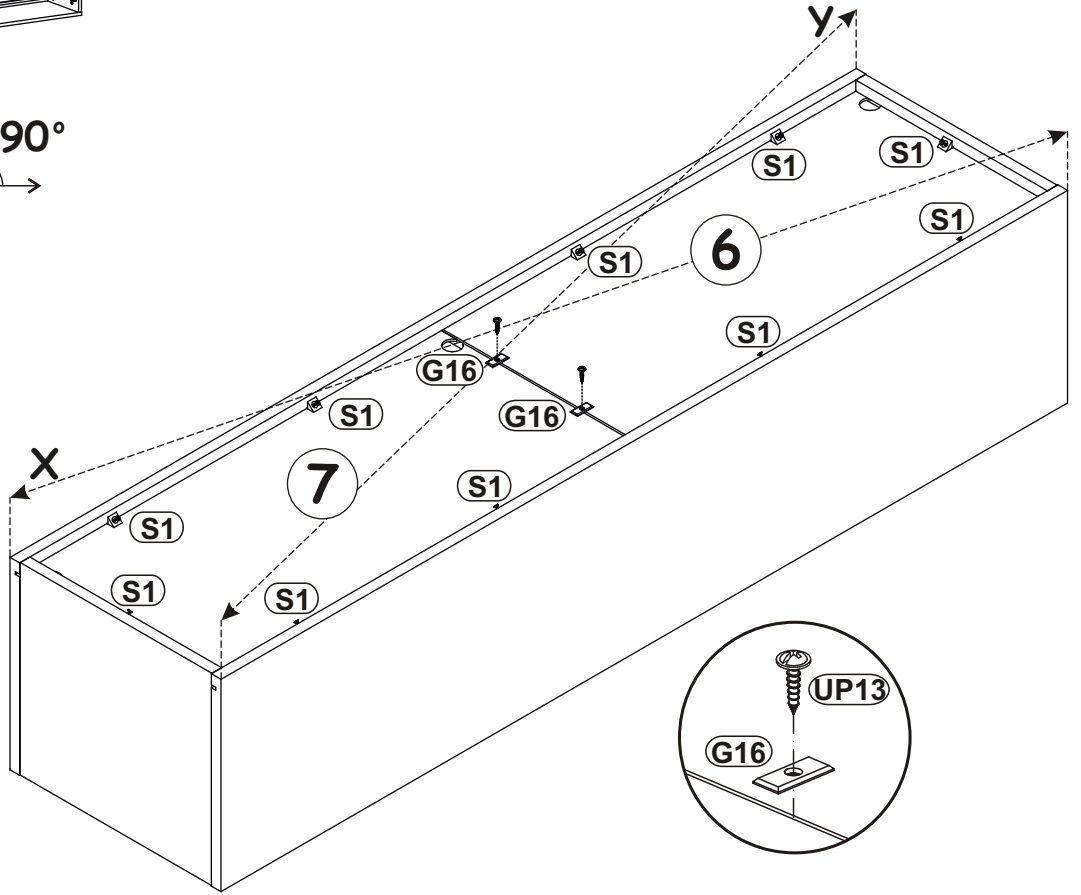
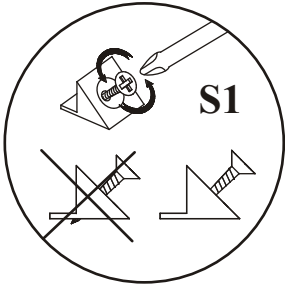


BLOX TYP 23

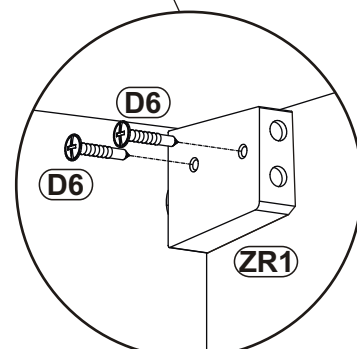
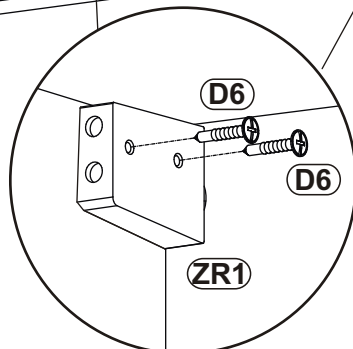
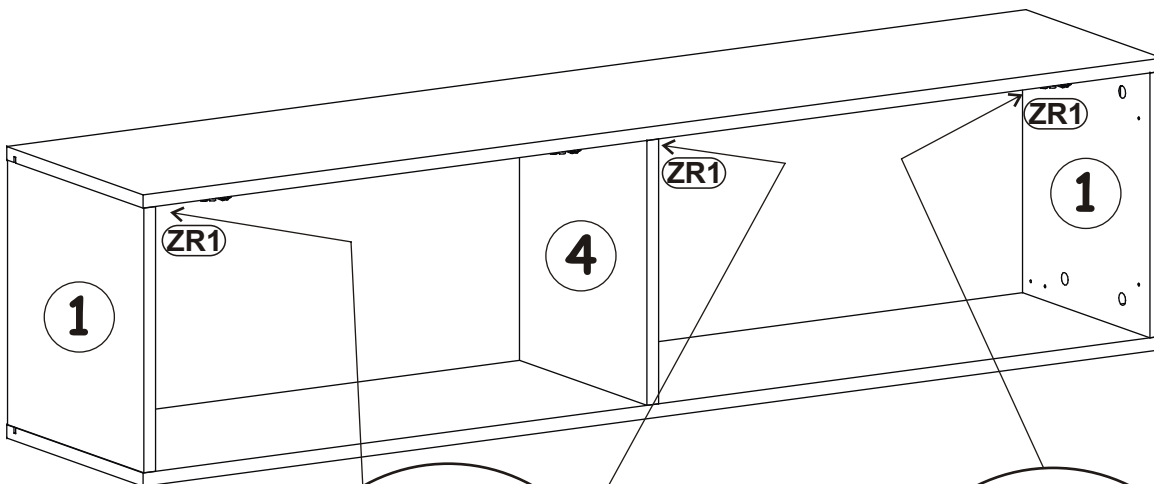
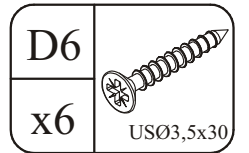
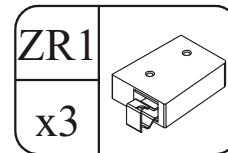
14

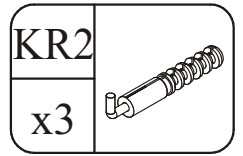


X=Y 90°

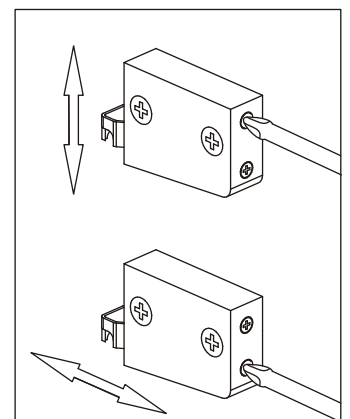
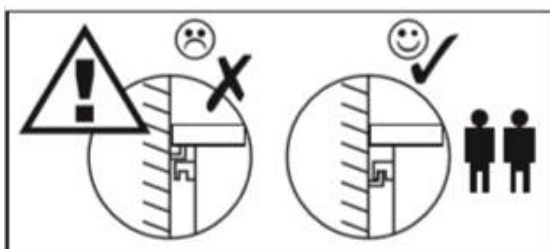
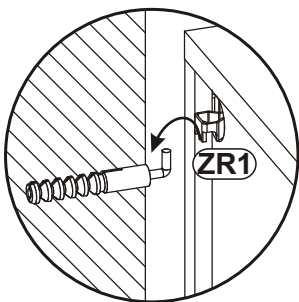
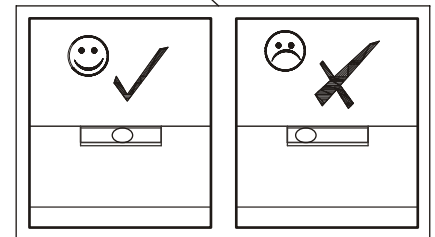
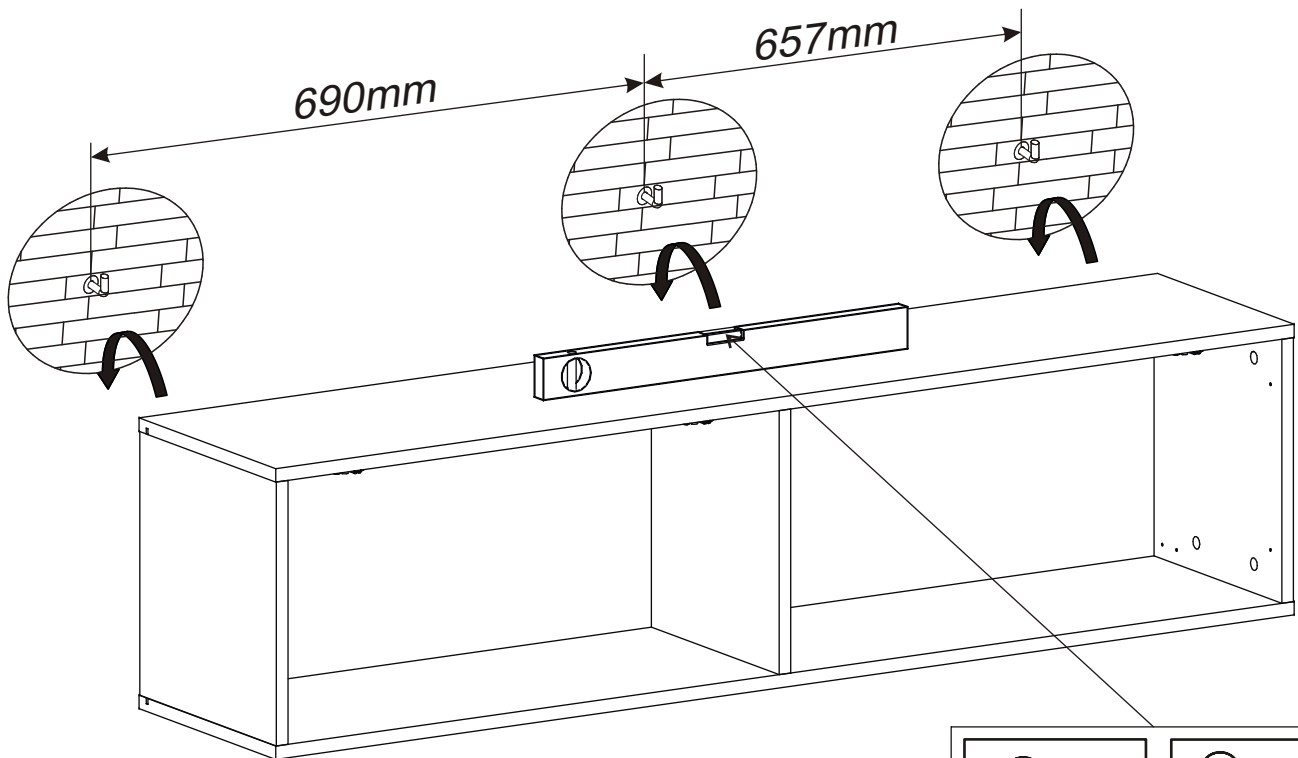
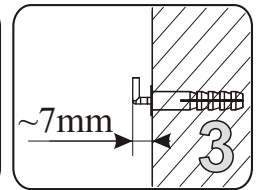
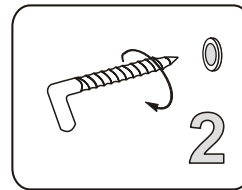
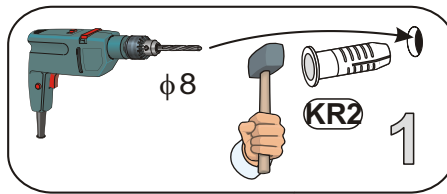
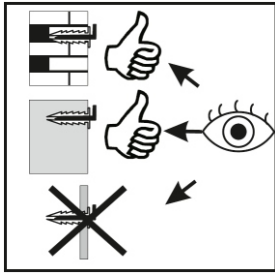
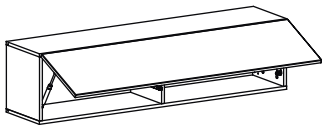


15



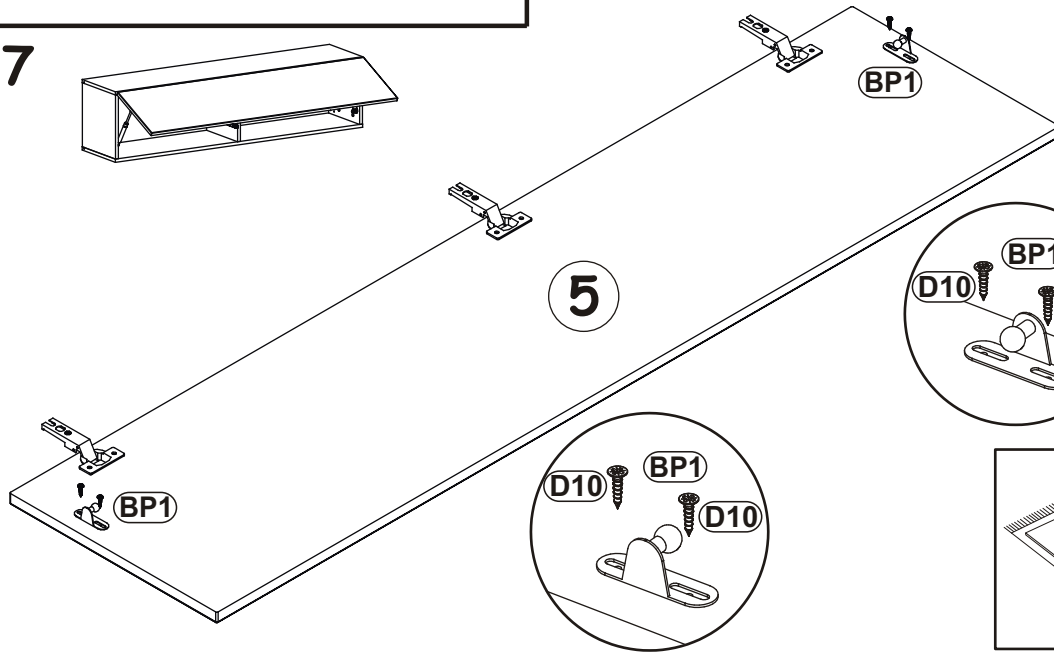


16



BLOX TYP 23

17

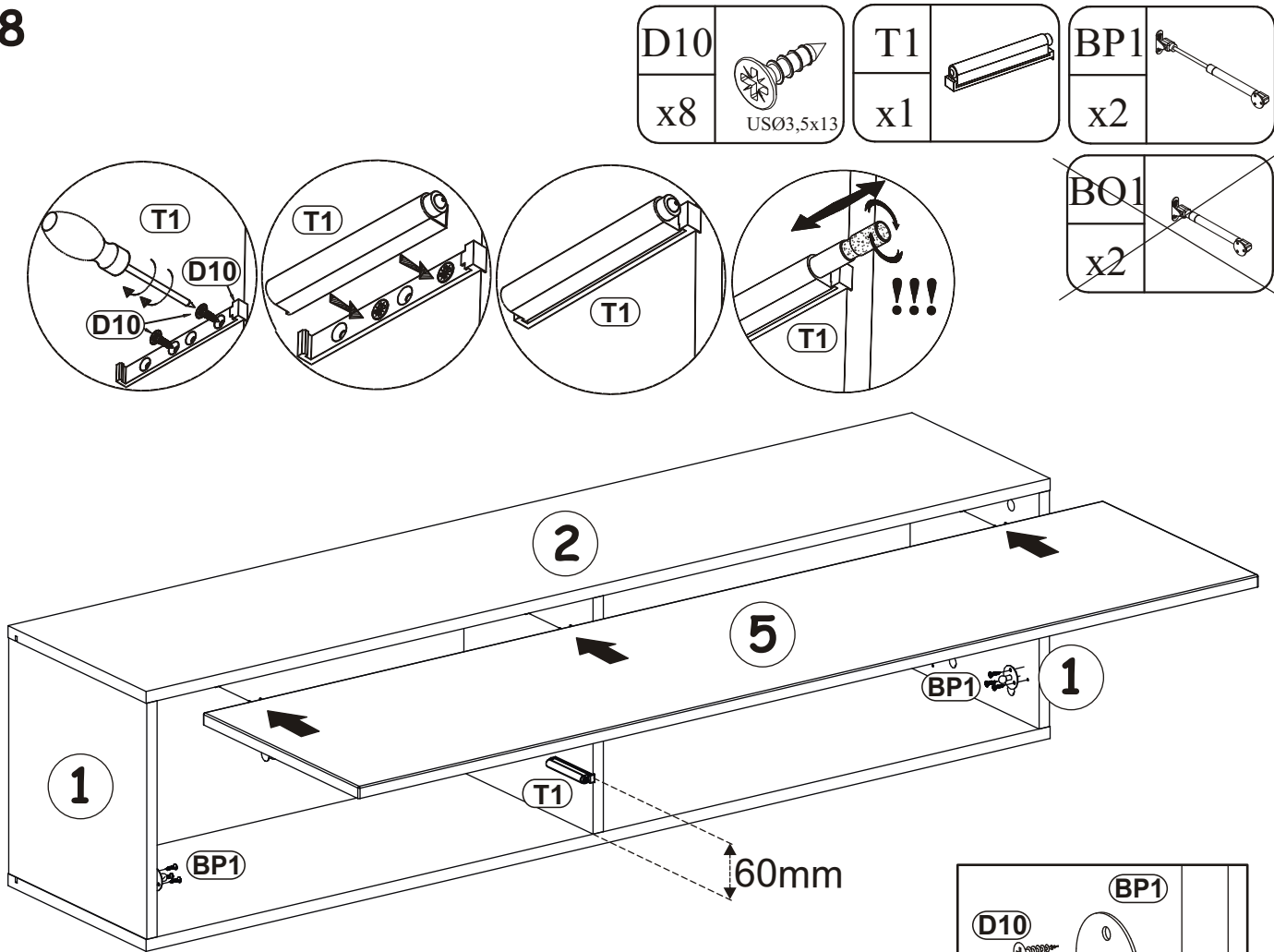


D10	
x4	USØ3,5x13

BP1	
x2	

BQ1	
x2	

18

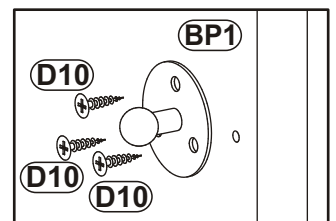
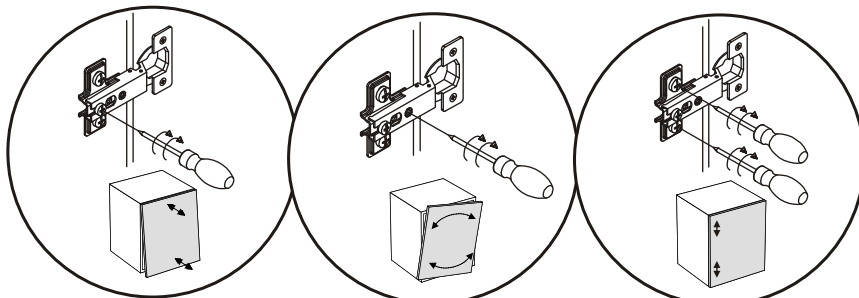


D10	
x8	USØ3,5x13

T1	
x1	

BP1	
x2	

BQ1	
x2	



19

