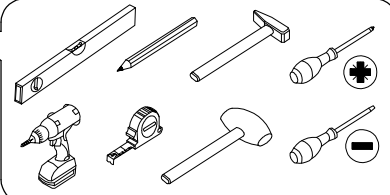
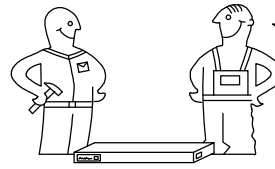
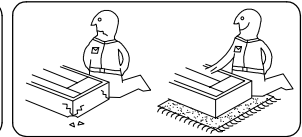
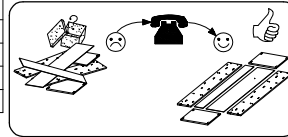
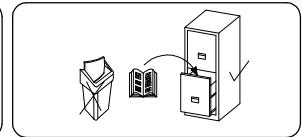
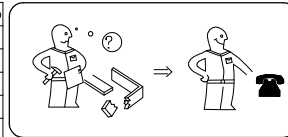


PARI

- 02

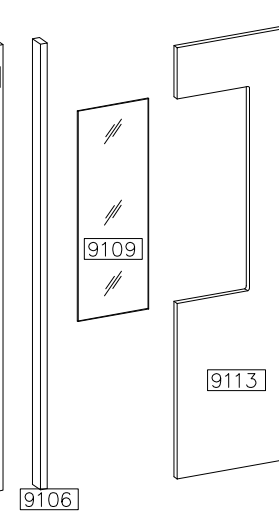
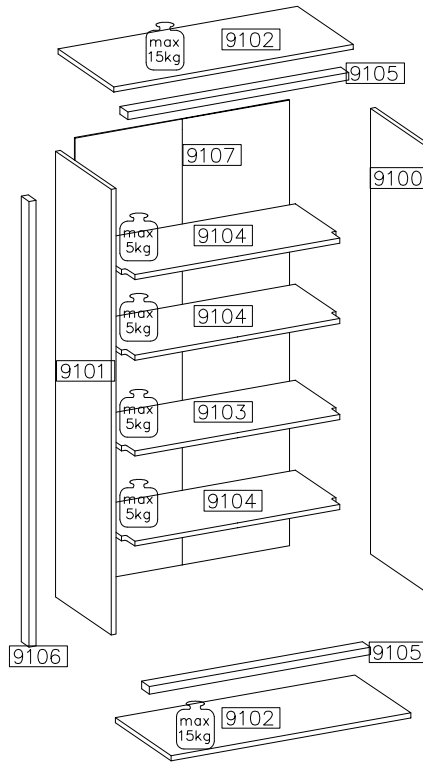
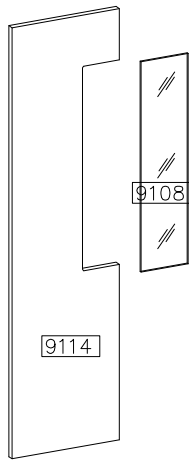
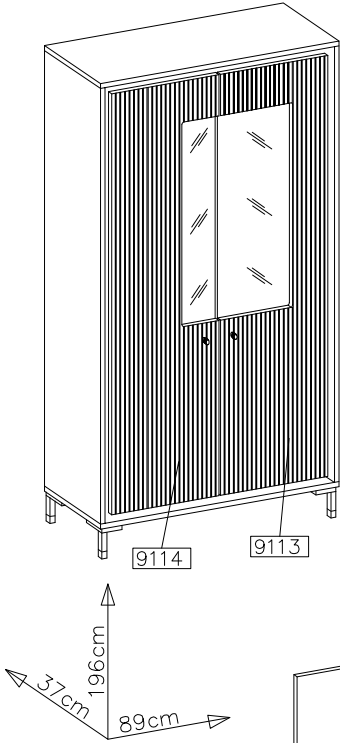
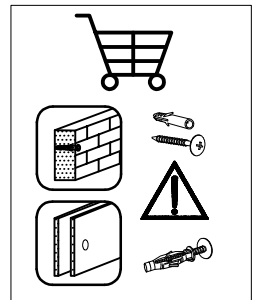
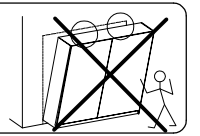
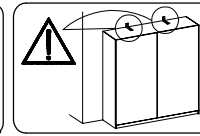


#	ART. NR	L	W	T	Q	Col.No
1	9100	1808	370	16	1	2
2	9101	1808	370	16	1	2
3	9102	890	371	16	2	1
4	9103	858	330	16	1	1
5	9104	858	320	16	3	1
6	9105	807	70	25	2	1
7	9106	1808	70	25	2	2
8	9107	436	1823	2,5	2	2
9	9108	1040	165	4	1	2
10	9109	1040	325	4	1	2

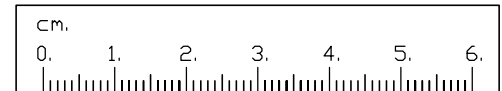


11	9113...	1768	407	16	1	3
12	9114...	1768	407	16	1	3

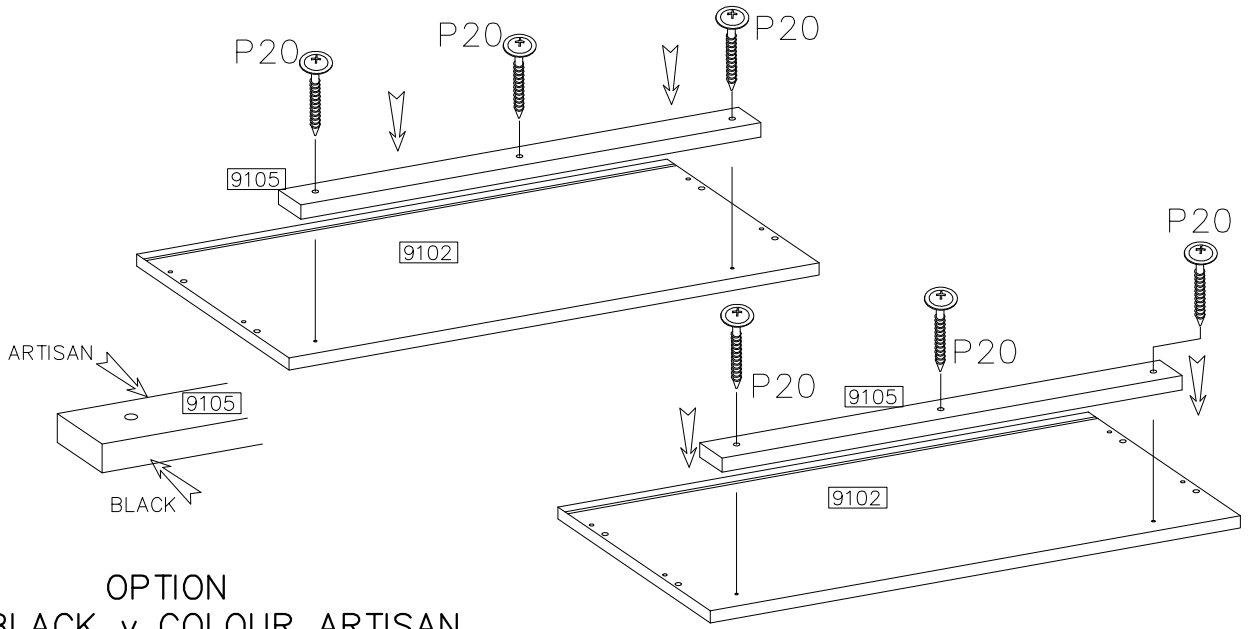
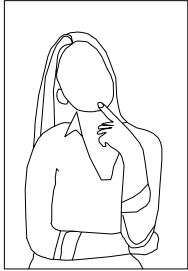
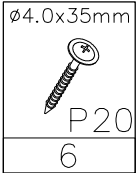
XXXXC – CZARNY
 XXXXZ – ZIELONY
 XXXXA – ARTISAN
 XXXXR – RÓŻOWY
 XXXXC – SZARY-CONGO



$\varnothing 8 \times 30 \text{mm}$ A	$\varnothing 8 \times 20 \text{mm}$ A7	$6,4 \times 50 \text{mm}$ B	$\varnothing 15 / 12 \text{mm}$ C	 D1	 E	 E1	 J4	$M4.0 \times 20 \text{mm}$ R13	 S1
12	4	8	4	4	4	8	12	2	2
 O	$\varnothing 5.0 \times 13 \text{mm}$ P9	$\varnothing 3.5 \times 16 \text{mm}$ N	 L	 F4	$4.0 \times 25 \text{mm}$ P12	 U			
1	16	1	12	4	16	14			
 V1	 V3	$\varnothing 35 / KR-8$ G8	$\varnothing 3.0 \times 16 \text{mm}$ P1	$\varnothing 4.0 \times 35 \text{mm}$ P20					
1	3	8	14	16					

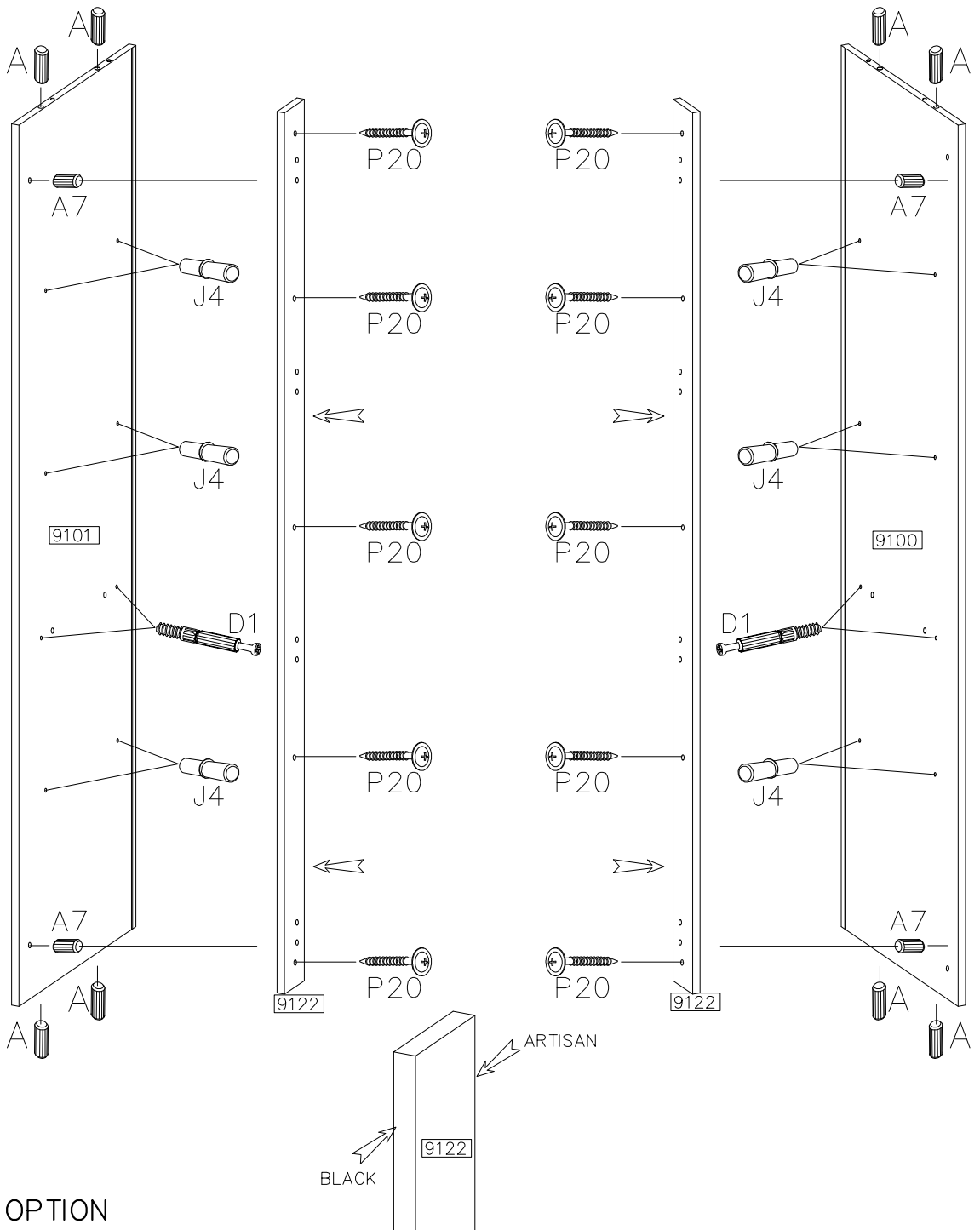
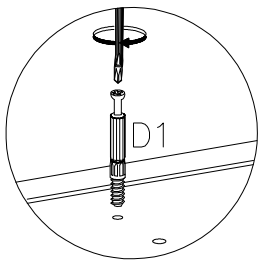
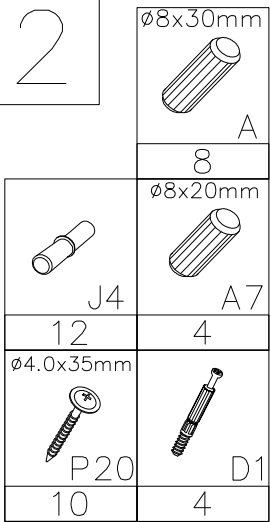


1




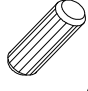
OPTION
COLOUR BLACK v COLOUR ARTISAN

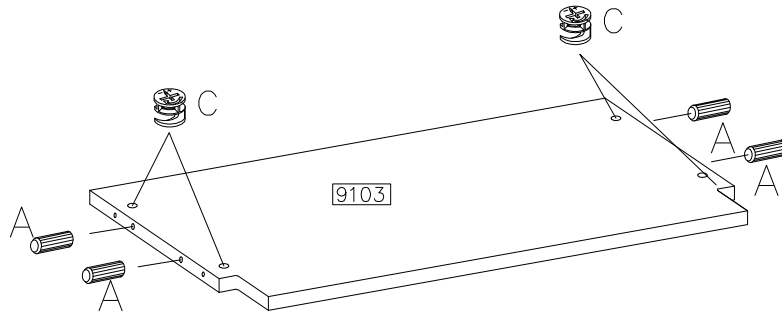
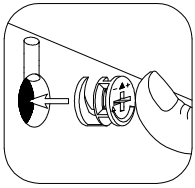
2




OPTION
COLOUR BLACK v COLOUR ARTISAN

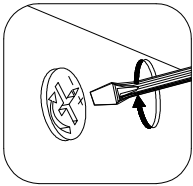
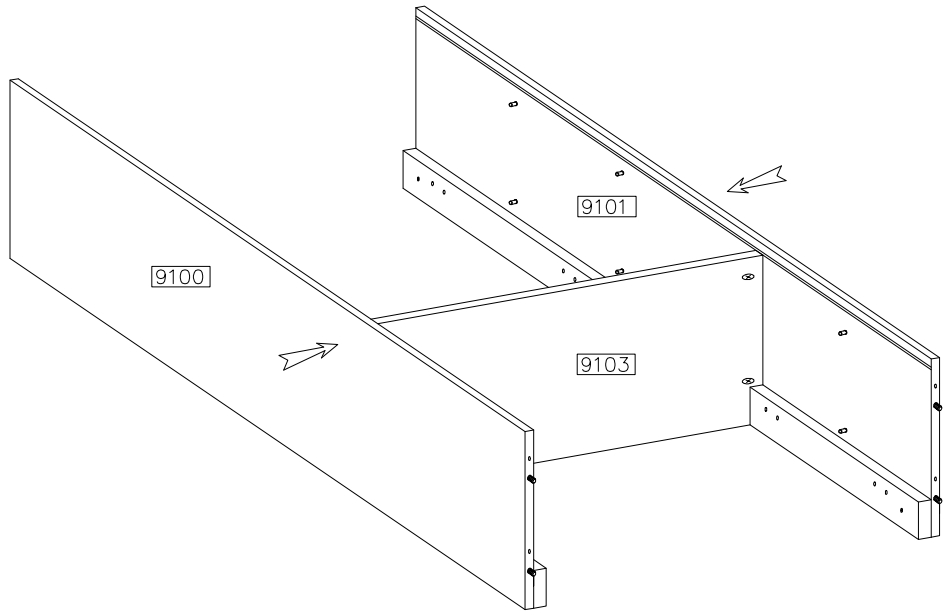
3

 ø15/12mm C 4	 ø8x30mm A 4
--	---





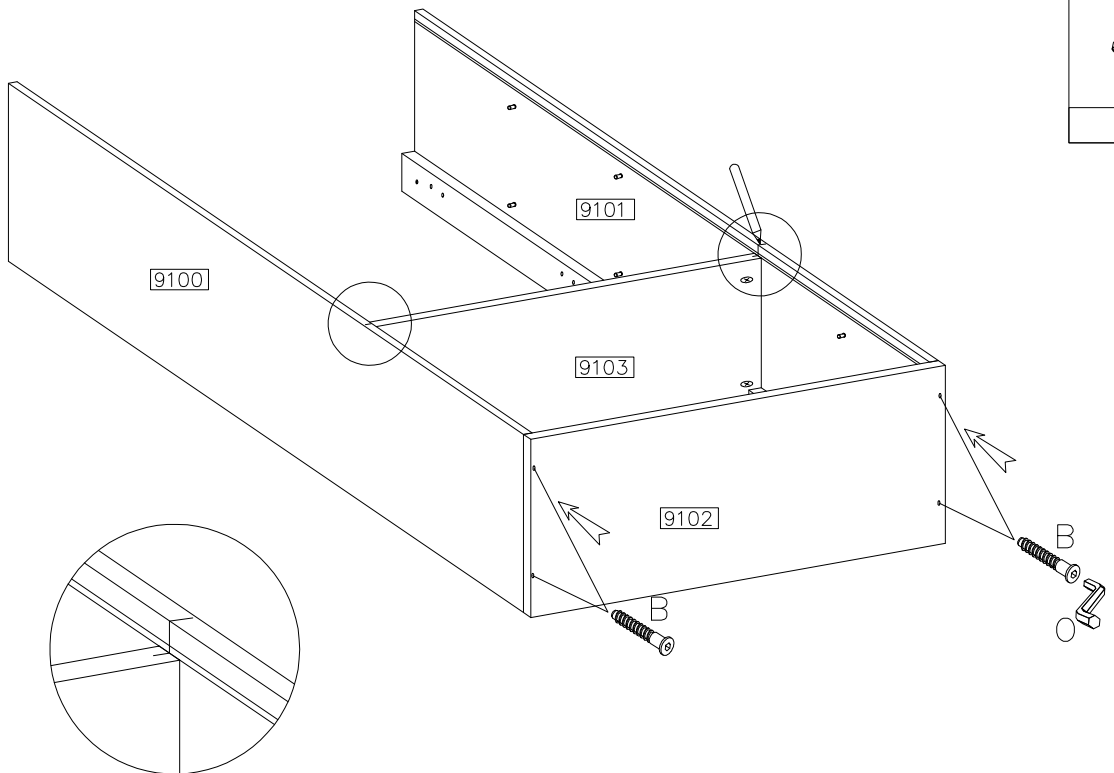
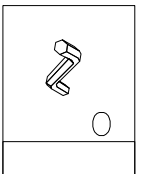
4


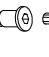
 E 4
--



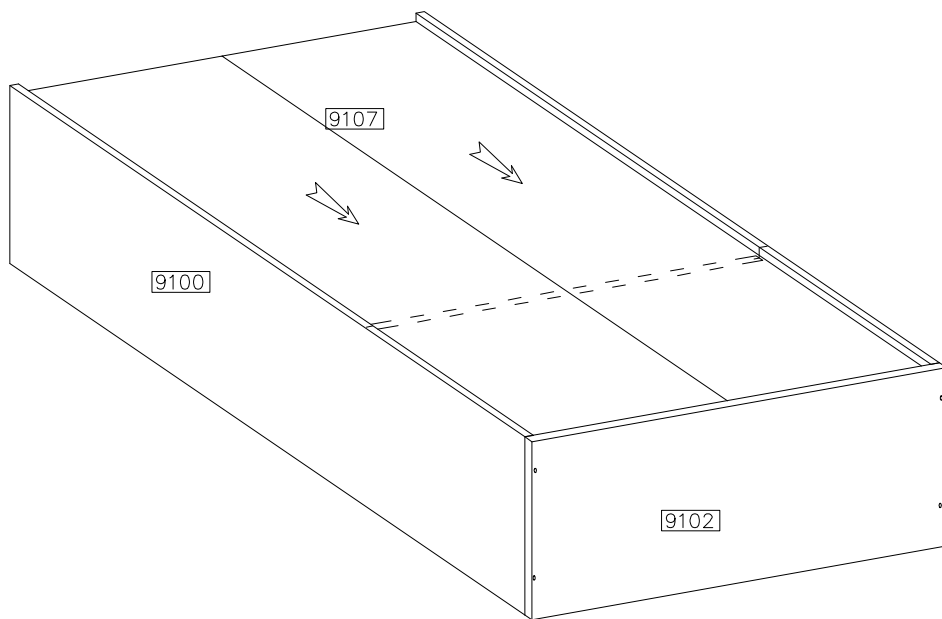
5

 B 4
 E1 4

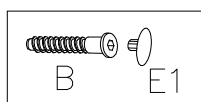
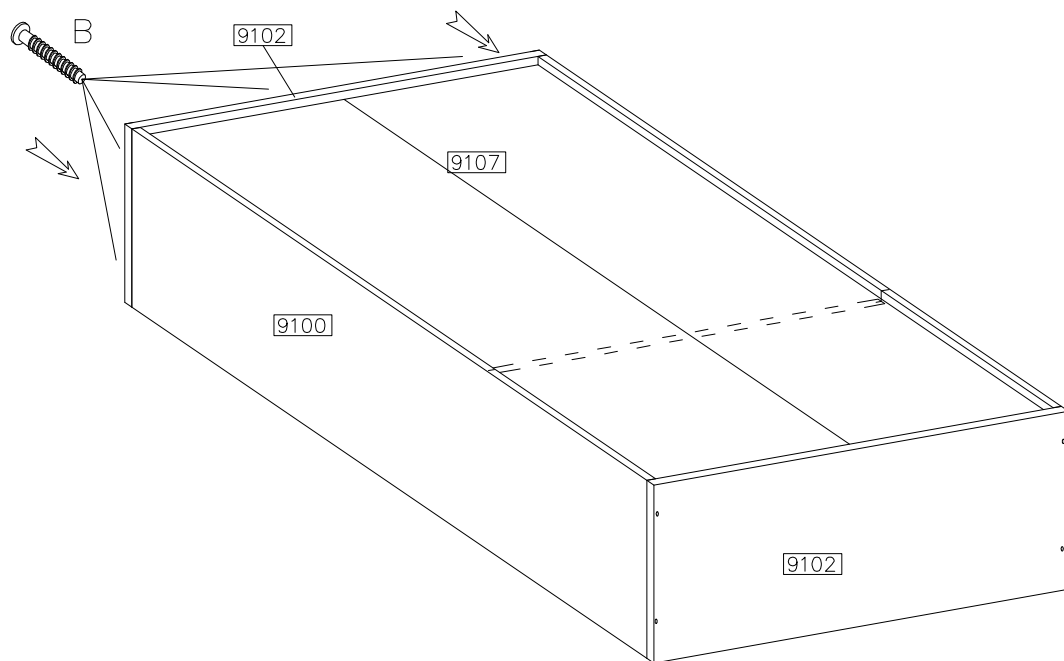
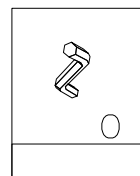
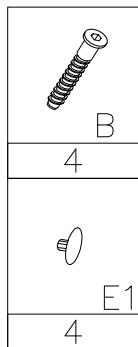


 B	 E1
---	---

6



7



8



L

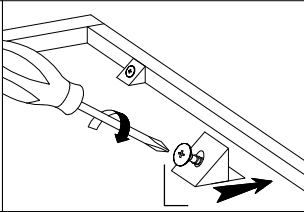
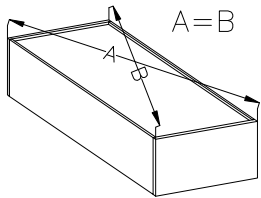
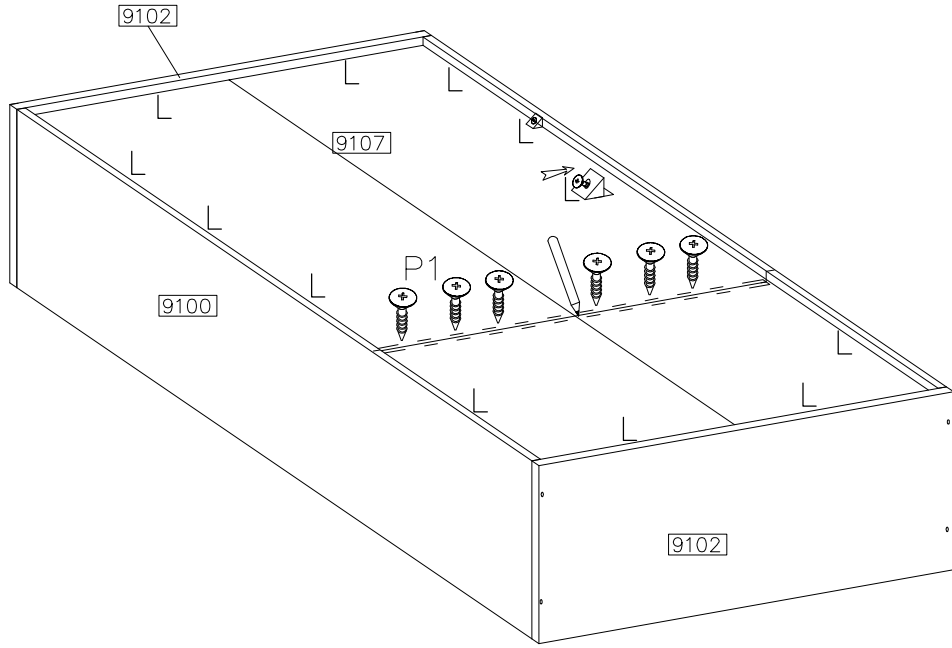
12

∅3.0x16mm



P1

6



9



F4

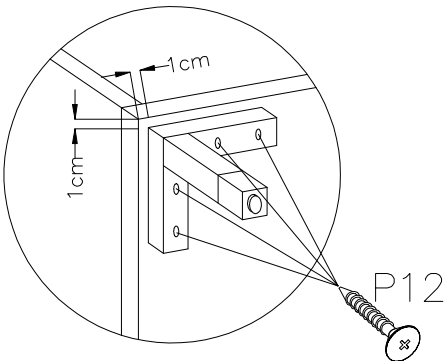
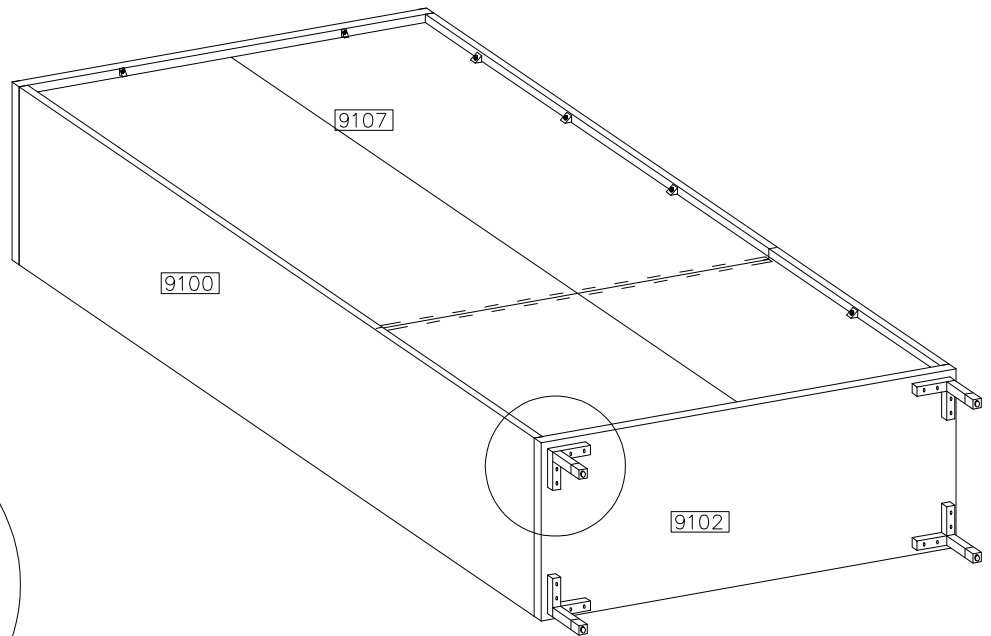
4

4.0x25mm

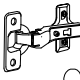

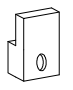





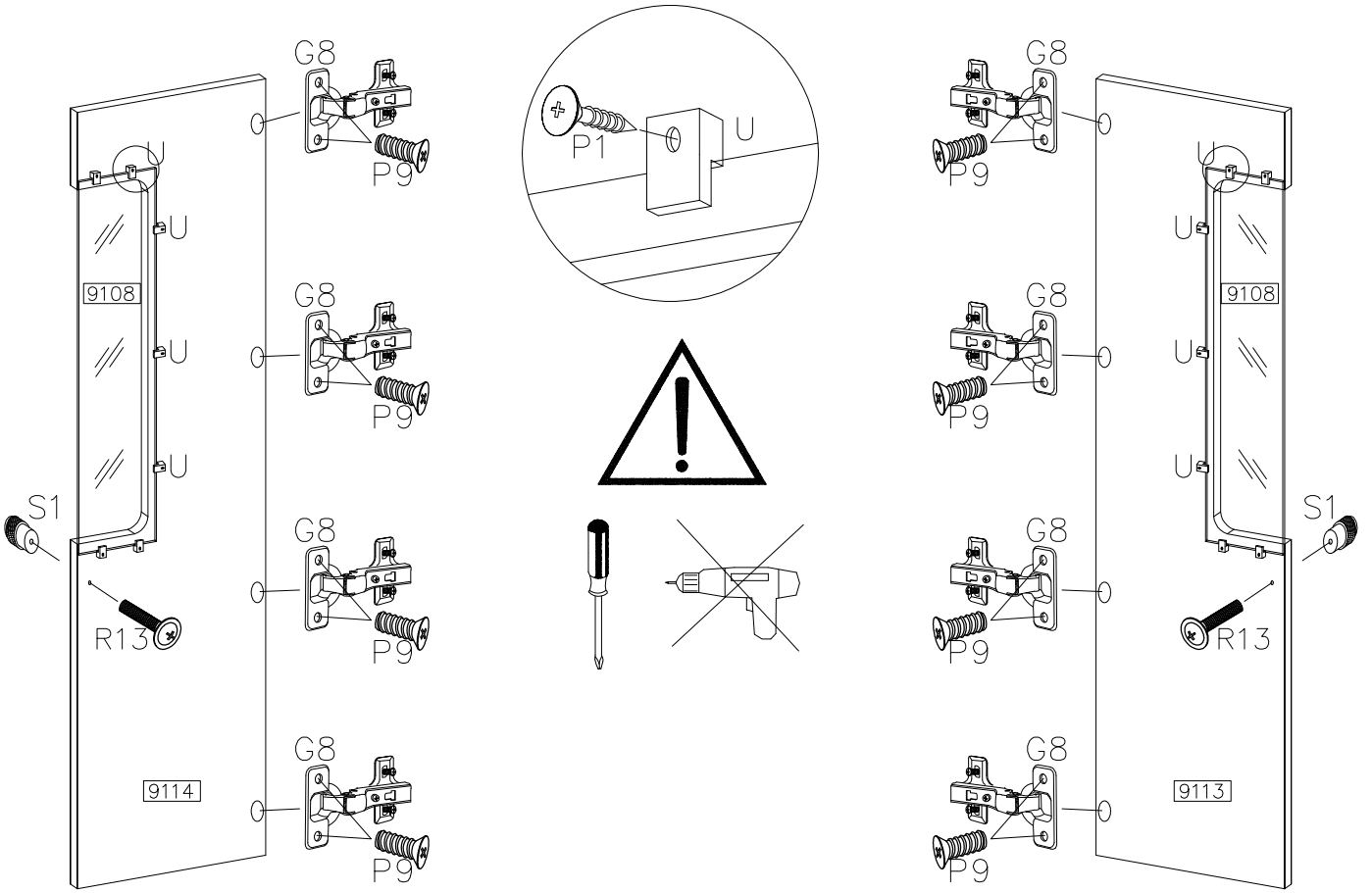
P12

16

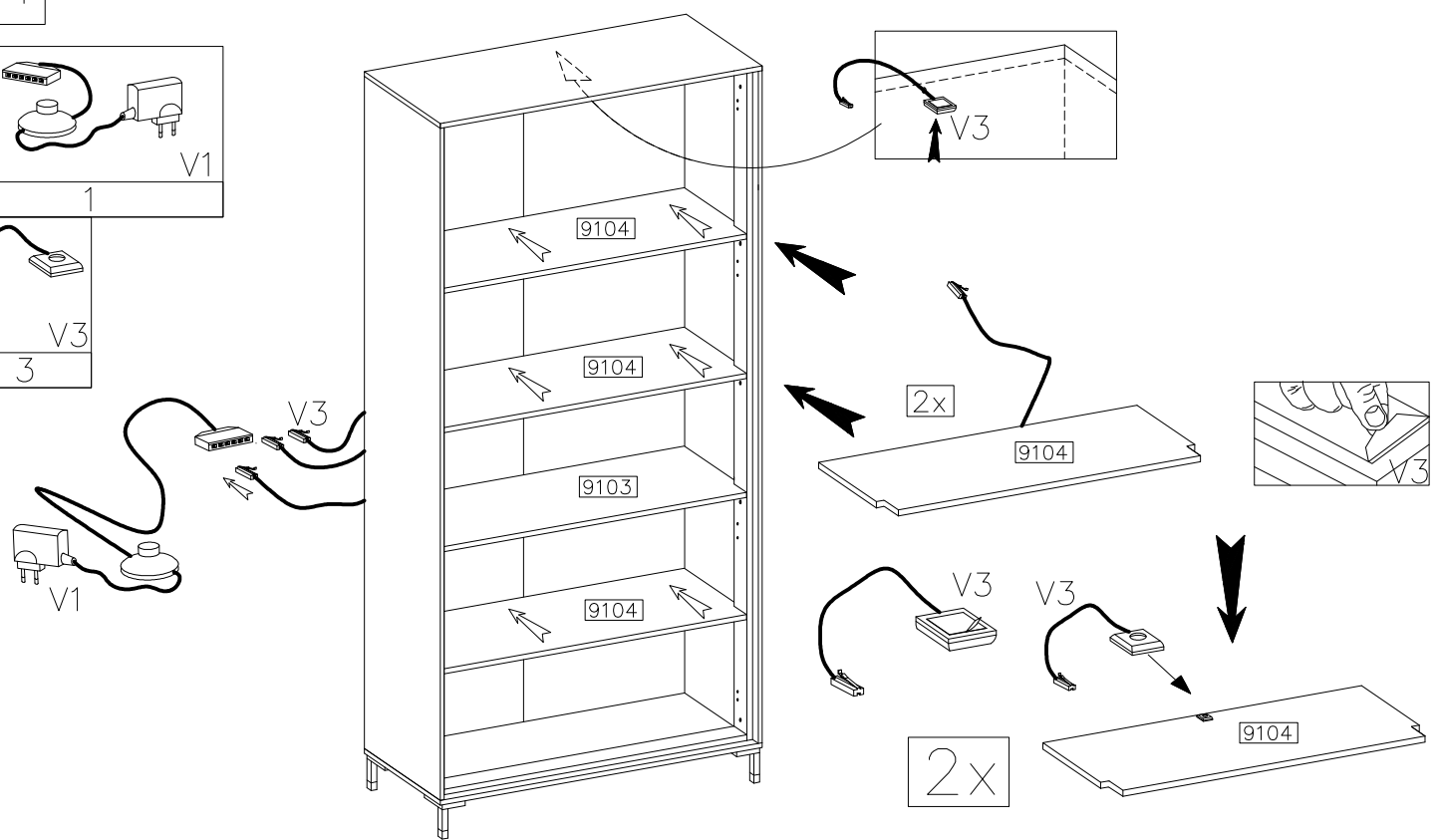
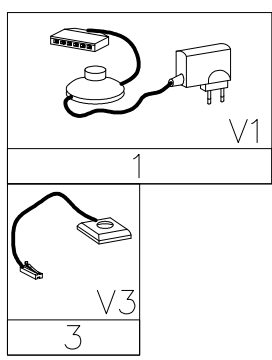


10

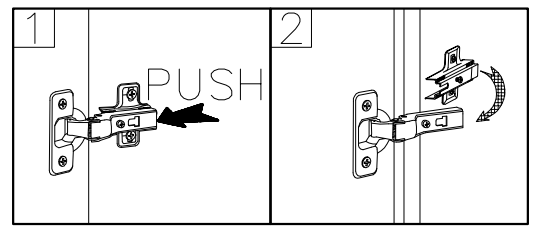
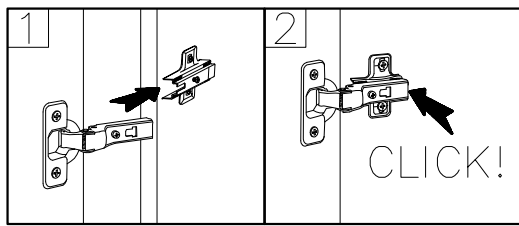
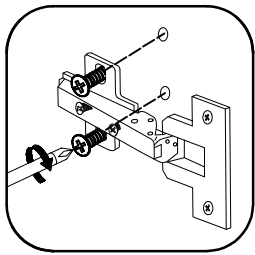
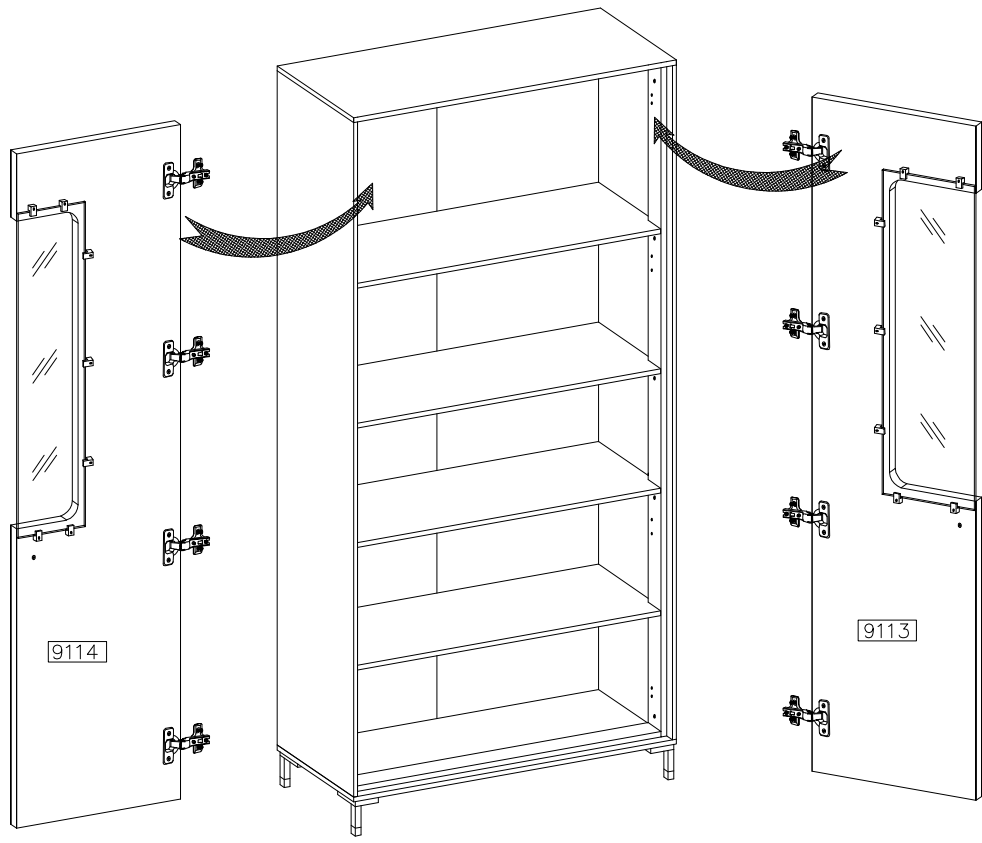
 G8 8	 P9 16	 U 14	 P1 14	 R13 2	 S1 2
---	--	---	--	--	---



11



12



13

