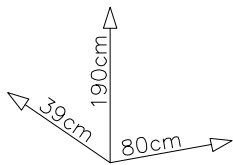
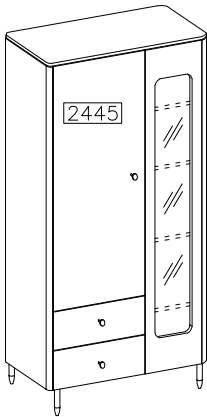
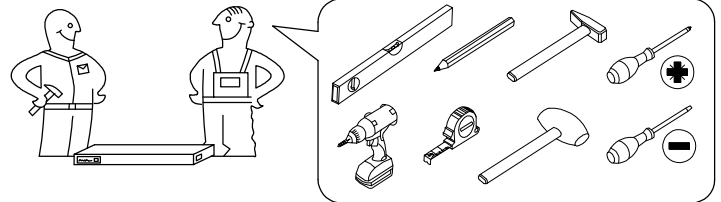
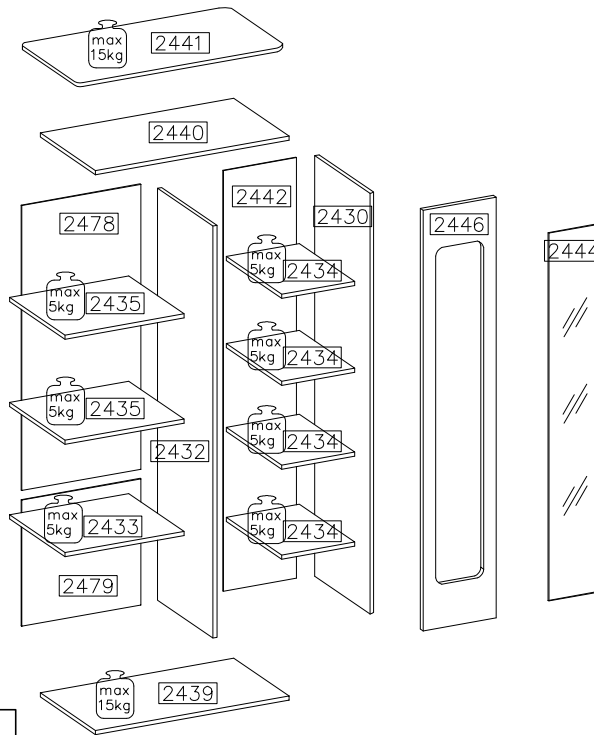
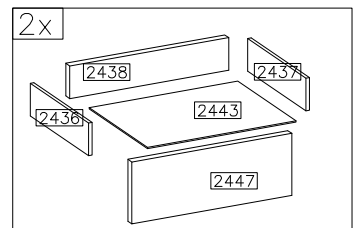
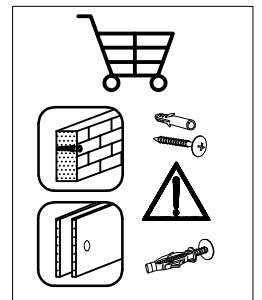
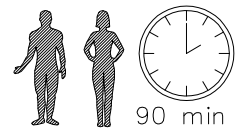
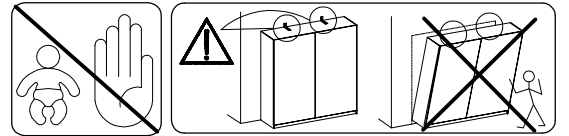
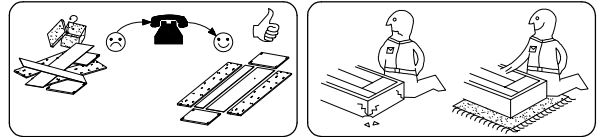
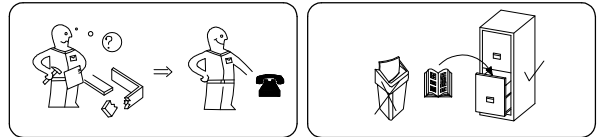


SIERRA SR2



#	ART. NR	L	W	T	Q	Col.No
1	2430	1754	388	22	1	2
2	2431	1754	388	22	1	2
3	2432	1722	350	16	1	2
4	2433	444	350	16	1	1
5	2434	296	350	16	4	1
6	2435	444	340	16	2	1
7	2436	300	140	16	2	1
8	2437	300	140	16	2	1
9	2438	404	123	16	2	1
10	2439	756	370	16	1	1
11	2440	756	350	16	1	1
12	2441	800	388	16	1	1
13	2442	1745	311	2,5	1	3
14	2478	1346	459	2,5	1	3
15	2479	398	459	2,5	1	3
16	2443	419	308	2,5	2	3
17	2444	1470	210	4	1	2
18	2445	1336	446	16	1	3
19	2446	1744	300	16	1	3
20	2447	200	446	16	2	3



$\varnothing 8 \times 30 \text{mm}$	$6,4 \times 50 \text{mm}$	$\varnothing 15 / 12 \text{mm}$				$\varnothing 3.0 \times 16 \text{mm}$		$\varnothing 35 / \text{KR}-15$
A	B	C	D1	E	E1	P1	PR1	G7
24	12	16	16	16	12	47	2SET	6
4mm	$\varnothing 5.0 \times 13 \text{mm}$			$\varnothing 3.0 \times 20 \text{mm}$		$4.0 \times 27 \text{mm}$		
O	P9	N	L	P7	F5	P18	U	J4
1	20	1	10	4	4	4	10	24
$\varnothing 4.0 \times 20 \text{mm}$	$M4.0 \times 20 \text{mm}$		$\varnothing 3.5 \times 16 \text{mm}$					
P38	R13	S1	P4	V1	V3	C5	F8	
16	3	3	4	1	4	1	15	

1



J4

12

ø5.0x13mm



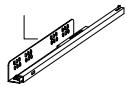
D1



P9

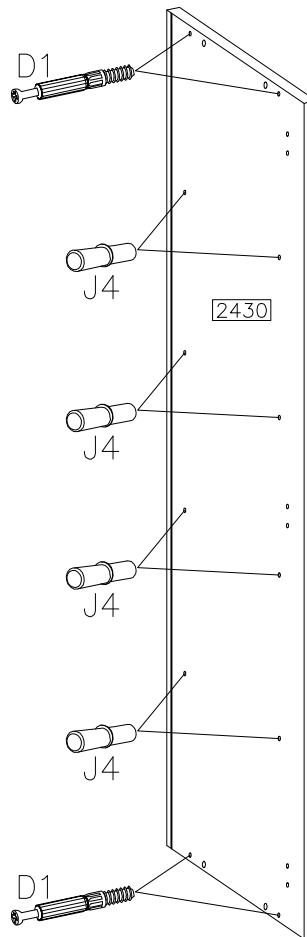
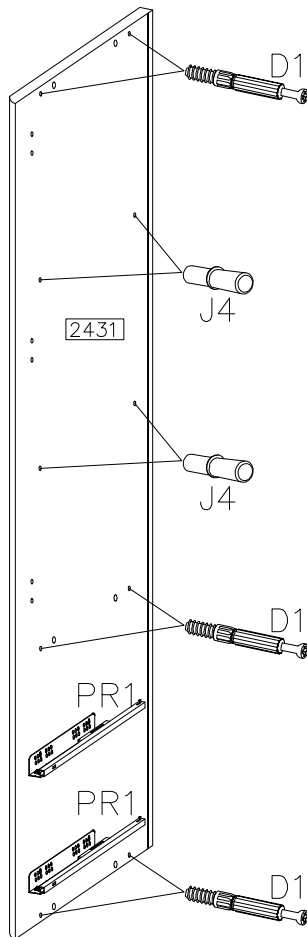
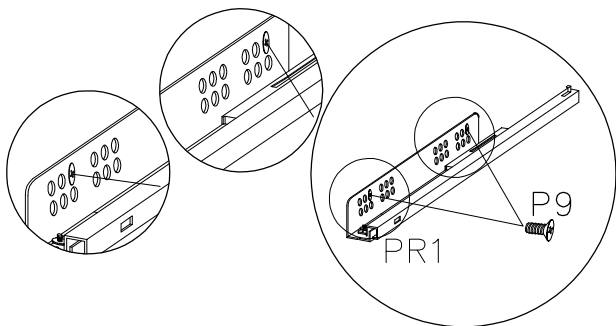
10

4



PR1

2SET

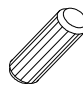


2



D1

2



A

4



C5

1

ø8x30mm

ø5.0x13mm

ø3.5x16mm



J4

12



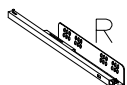
P9

4



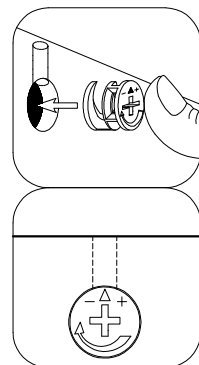
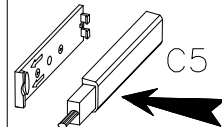
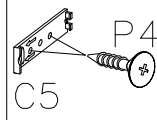
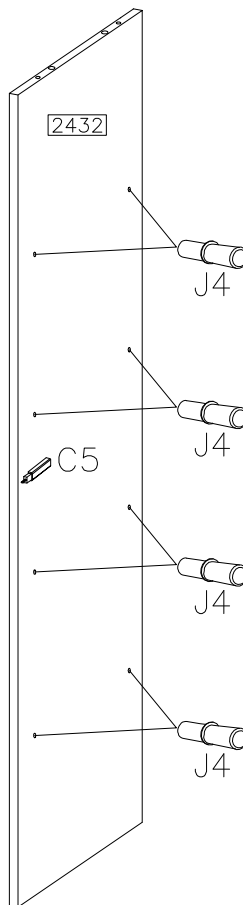
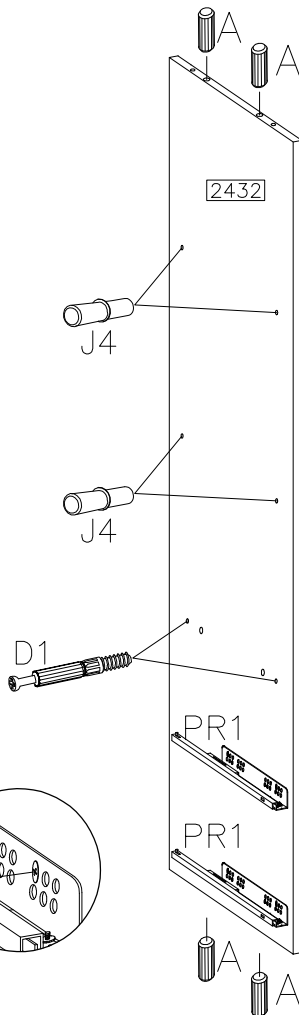
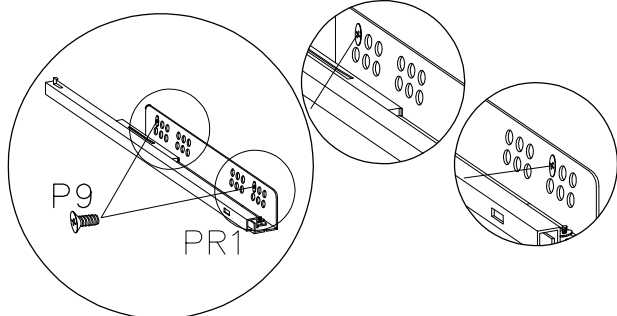
P4

2


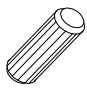


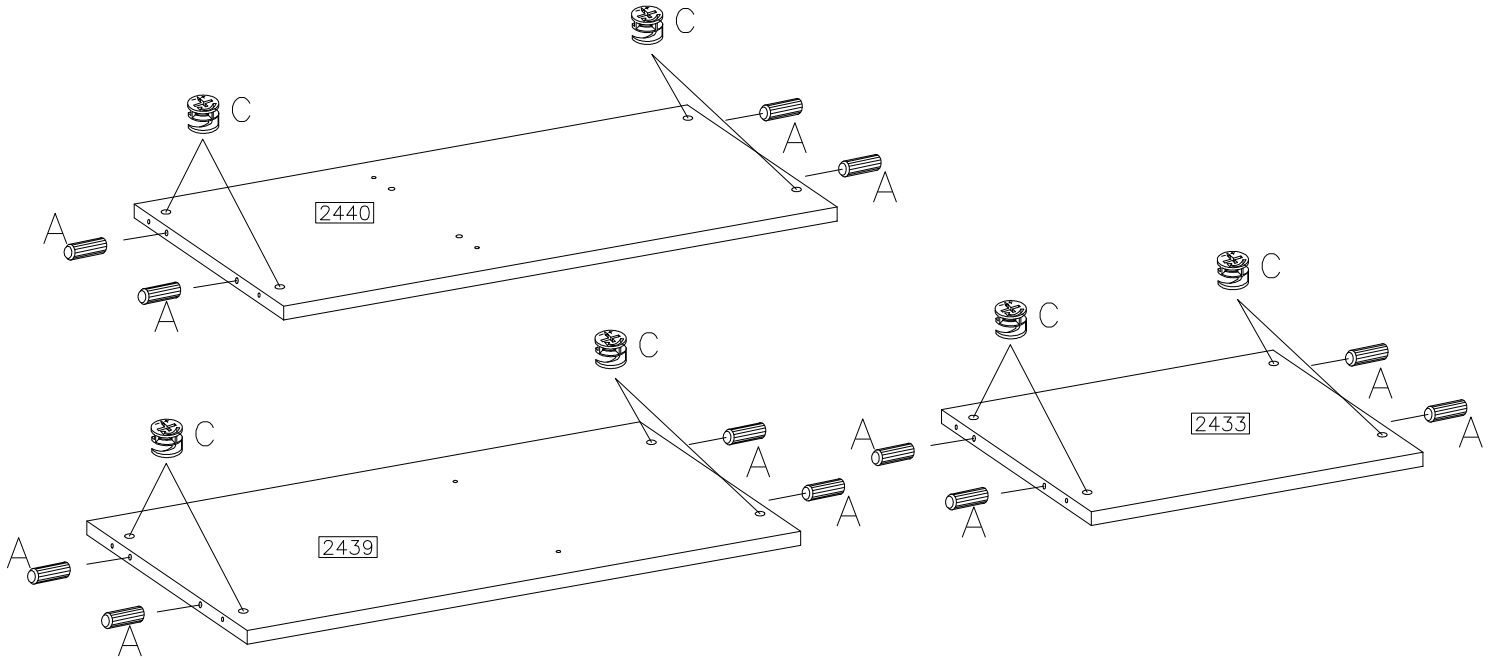
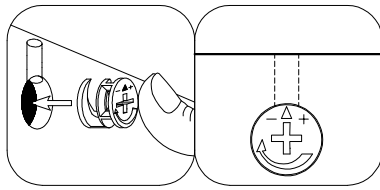
PR1

2SET






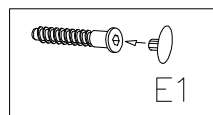
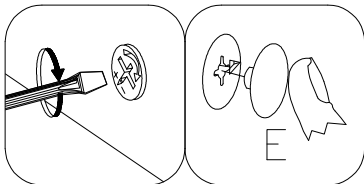
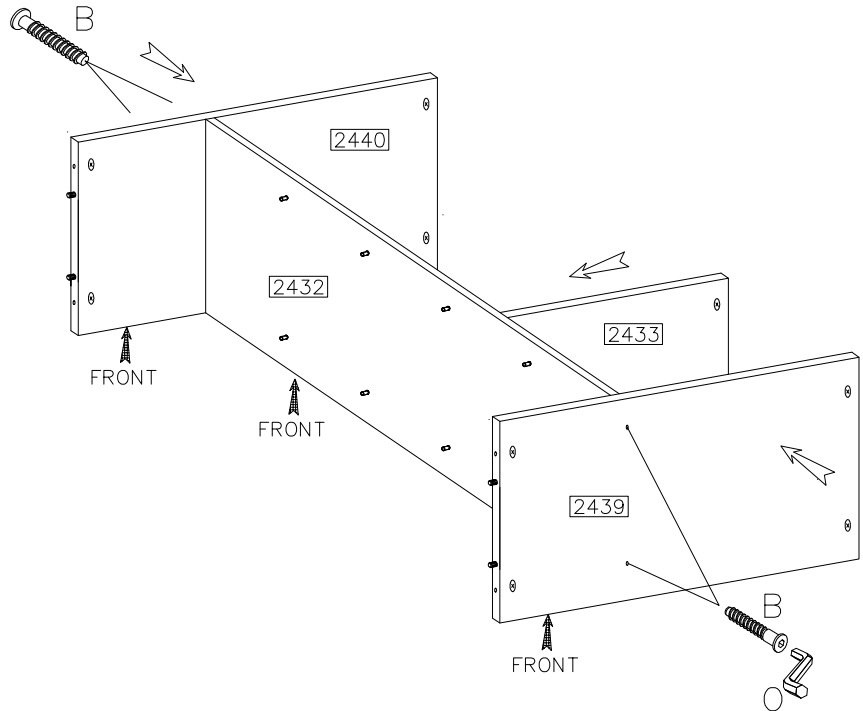
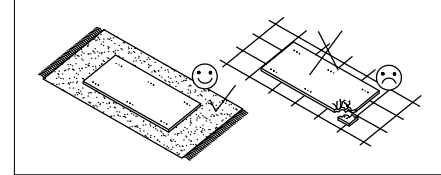
3

$\varnothing 15/12\text{mm}$  C 12	$\varnothing 8 \times 30\text{mm}$  A 12
---	---

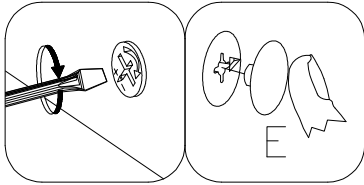
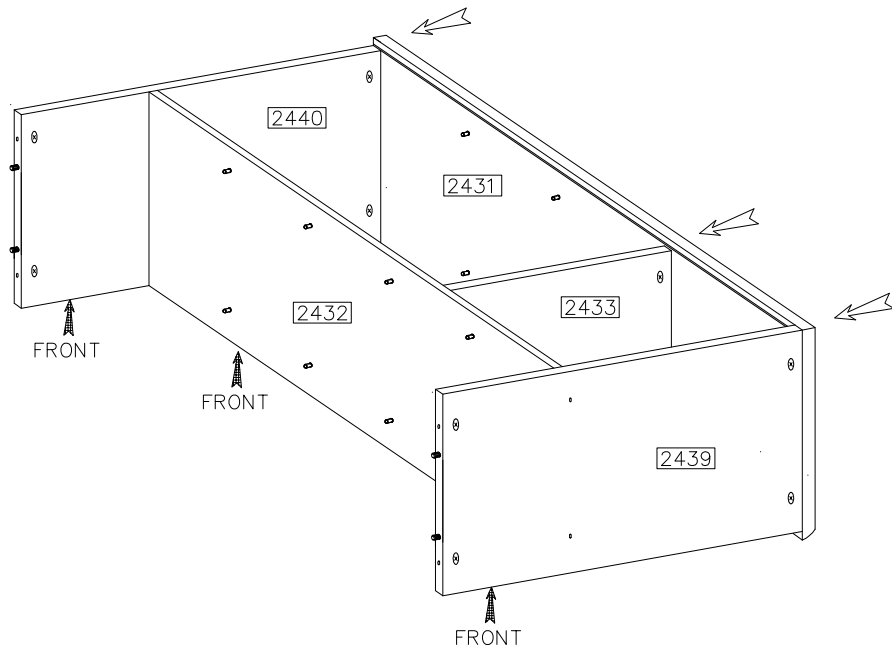
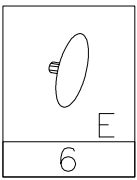


4

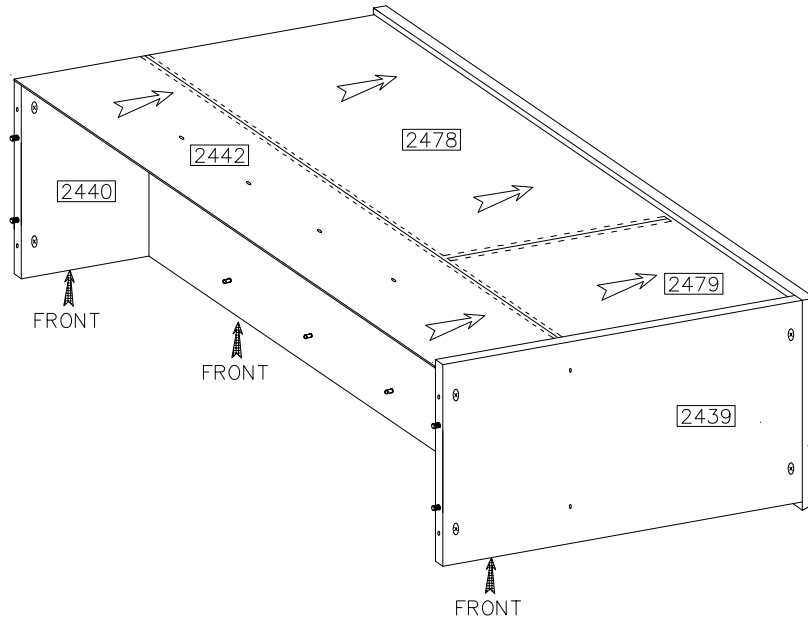
4mm  O 1	$6,4 \times 50\text{mm}$  B 4
 E 2	



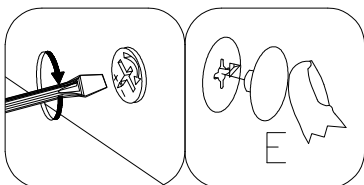
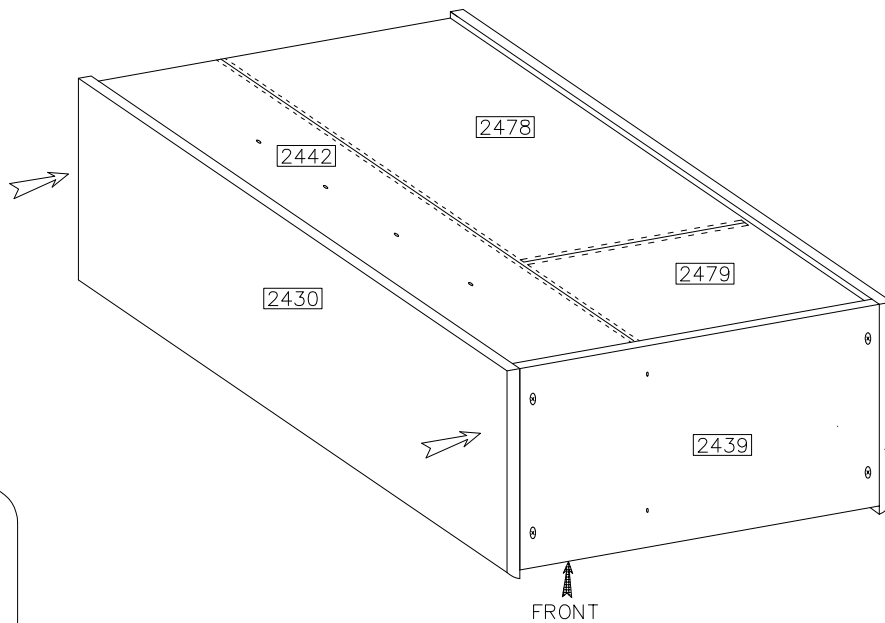
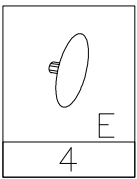
5




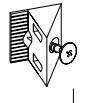
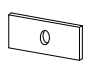
6

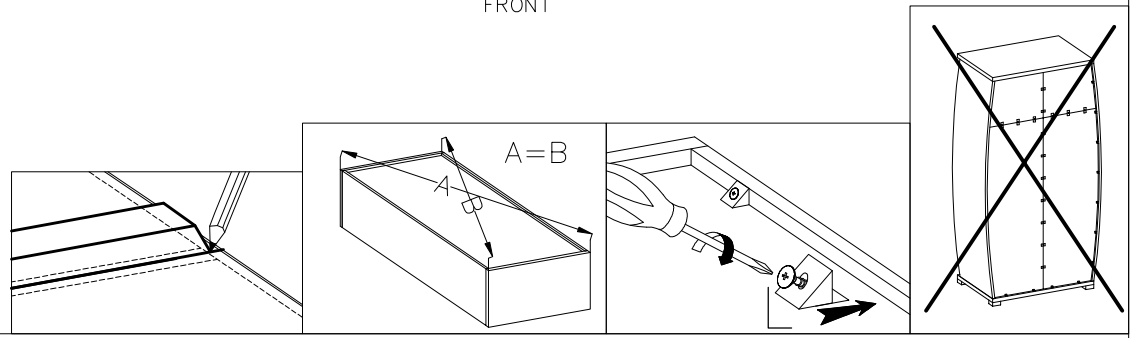
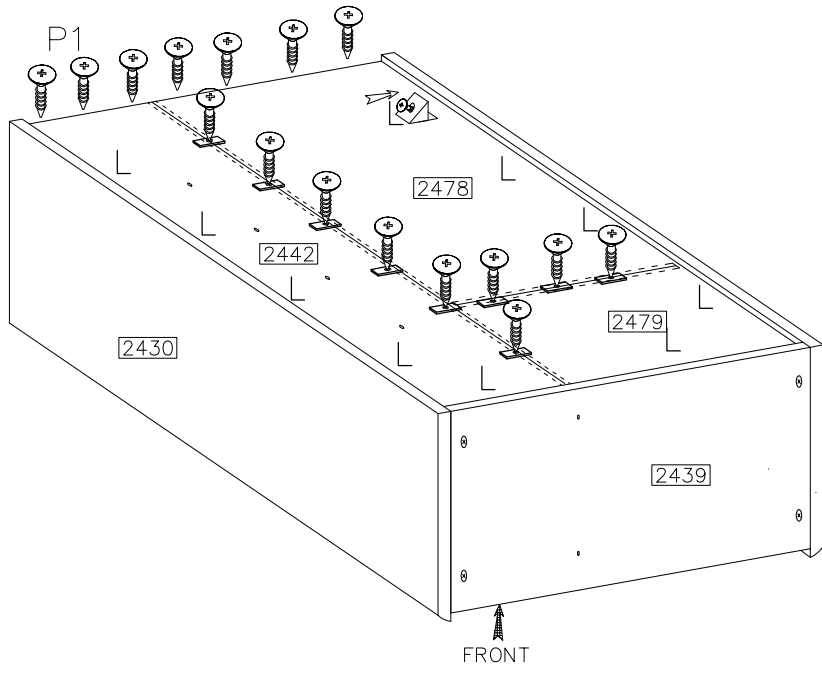


7





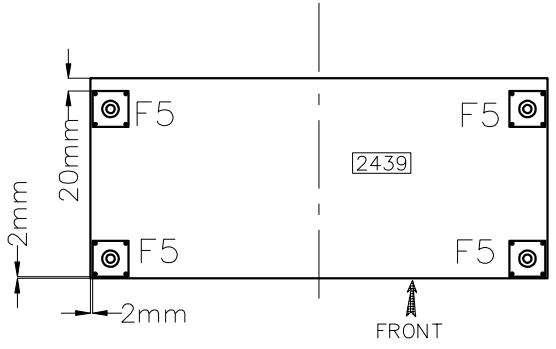
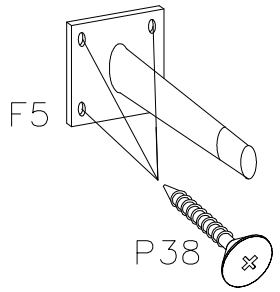
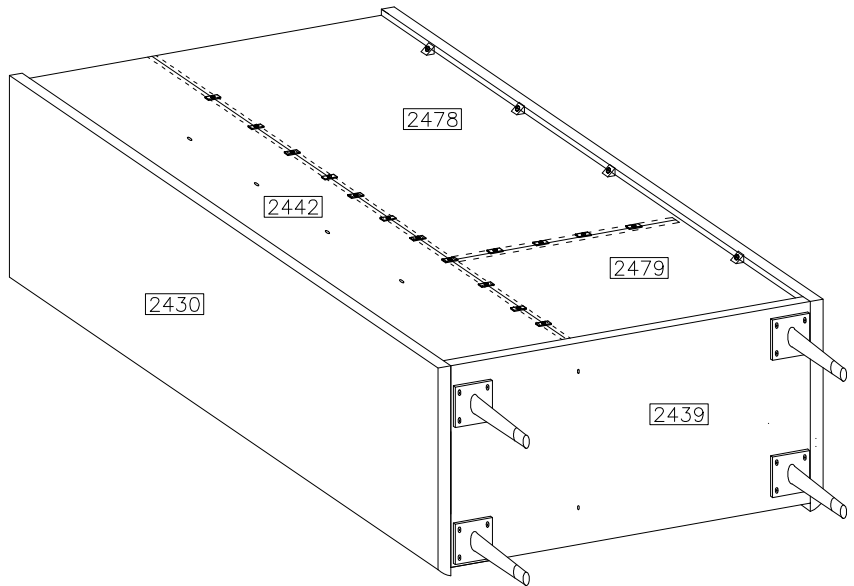
8

 P1
23
 L
10
 F8
15

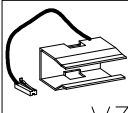


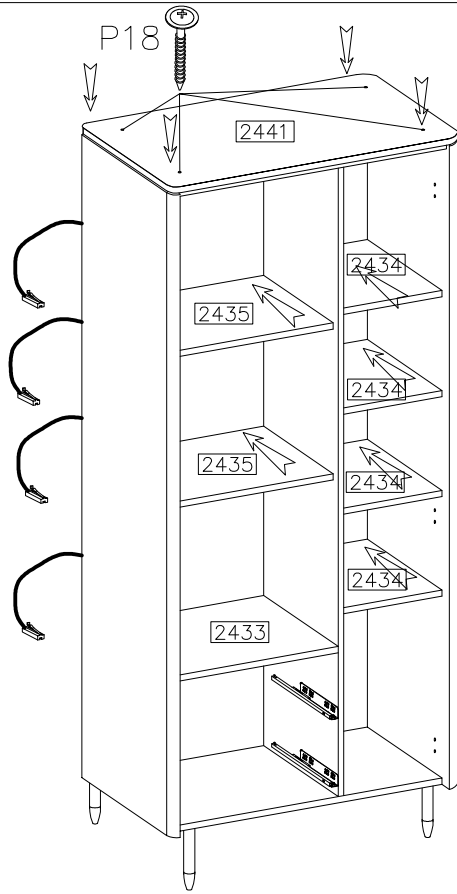
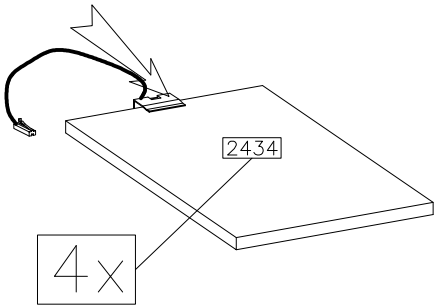
9

 F5	 P38
4	16


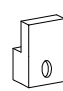

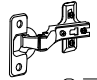



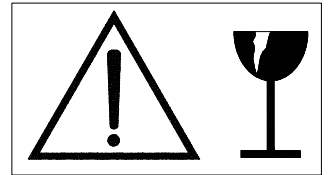
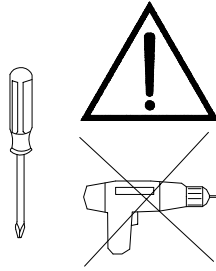
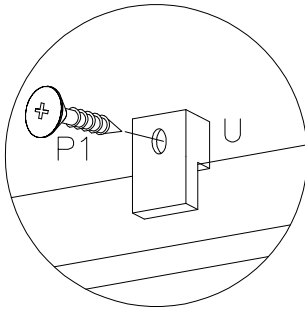
10


	4.0x27mm
V3	P18
4	4

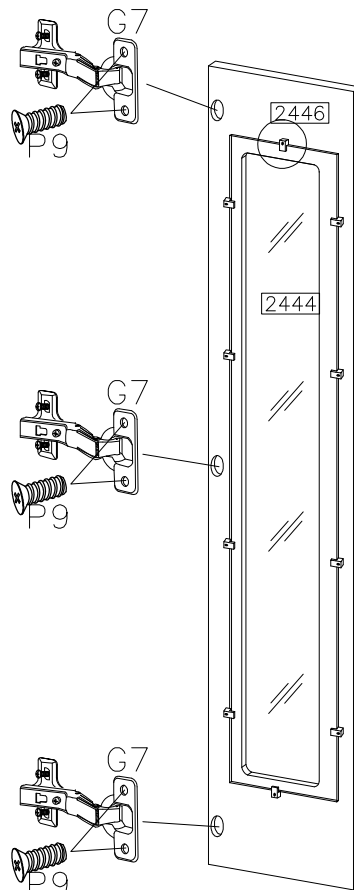
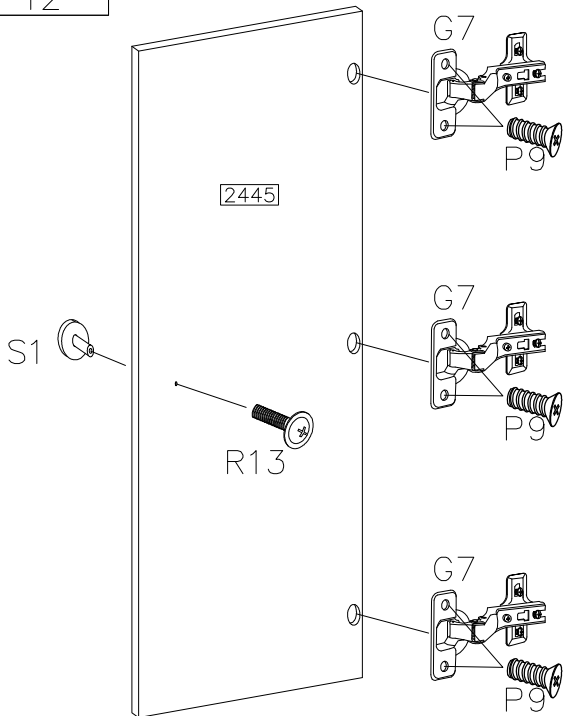


11

	
S1	U
1	10
M4.0x20mm	ø35/KR-15
	
R13	G7
1	6
	
	P1
	10

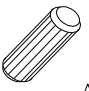




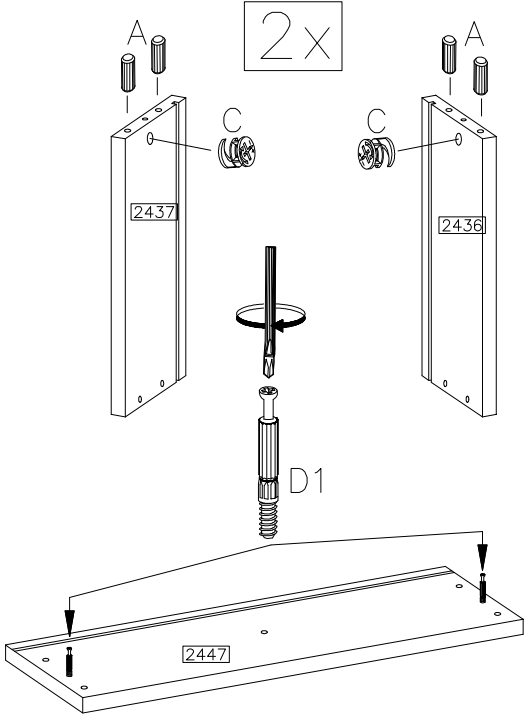
ø5.0x13mm

P9
12



12




2x

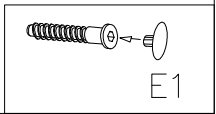
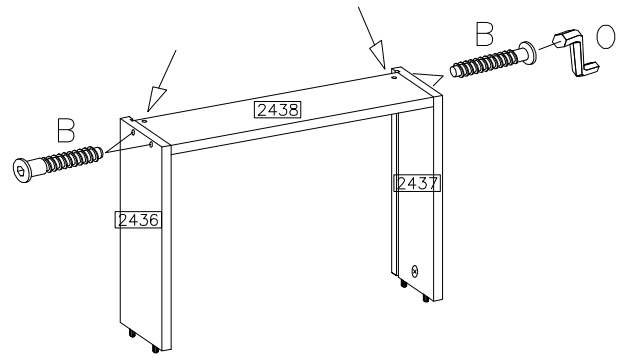
∅8x30mm

A
8
∅15/12mm

C
4

D1
4



13


2x

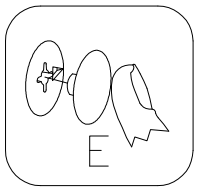
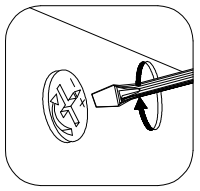
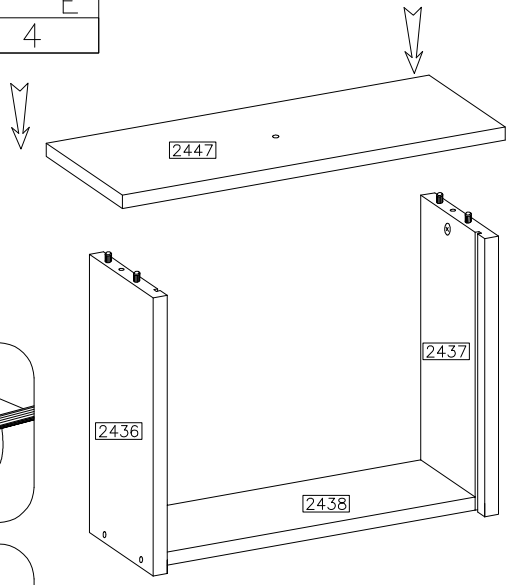
∅6,4x50mm		4mm
		
B	E1	O
8	8	1



14


2x

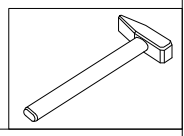
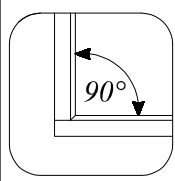
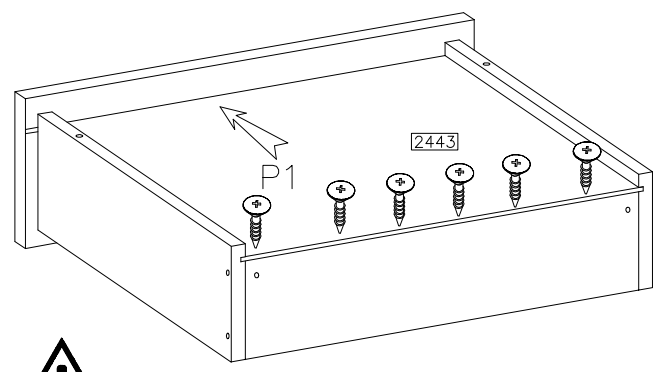

E
4



15



2x

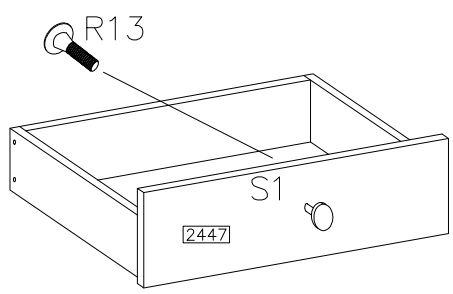
∅3.0x16mm

P1
14



16

2x

	M4.0x20mm
S1	
2	R13
2	2



17

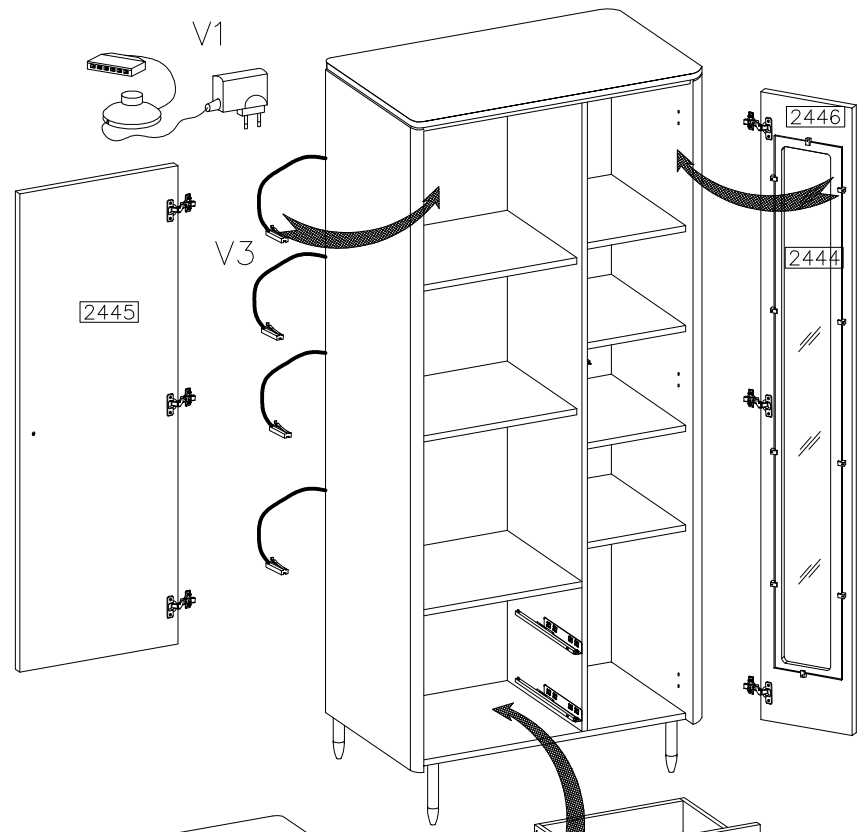
Ø3.0x20mm

P7

4

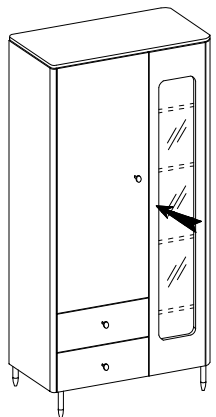
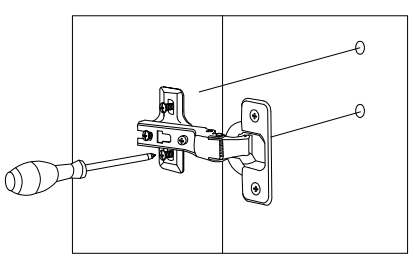
V1

1

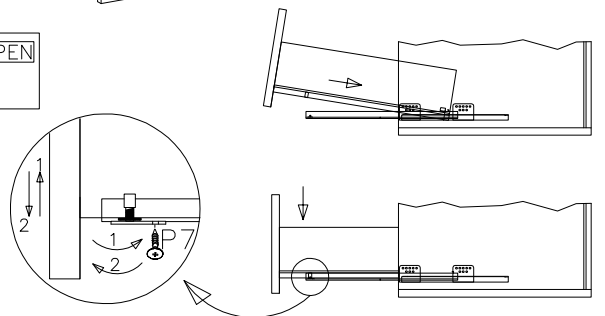


REGULATION

C5



PUSH TO OPEN



18

WALL DRILL

Ø3.5x16mm

P4

N

2

1

